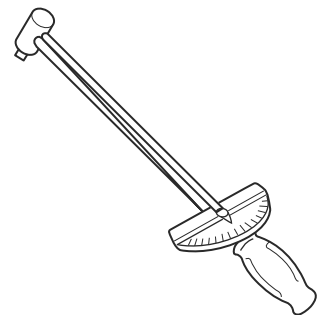
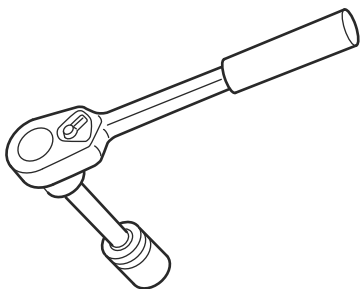
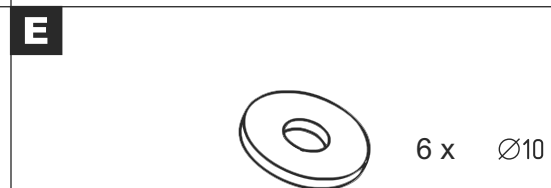
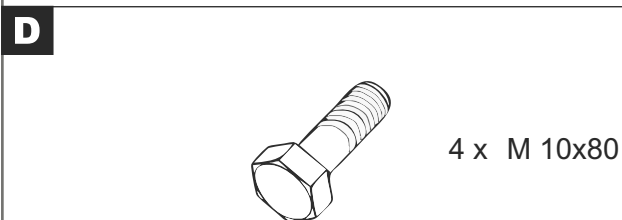
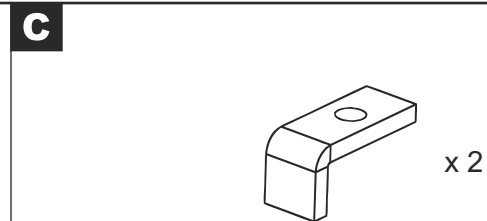
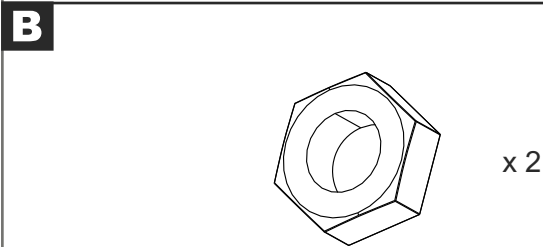
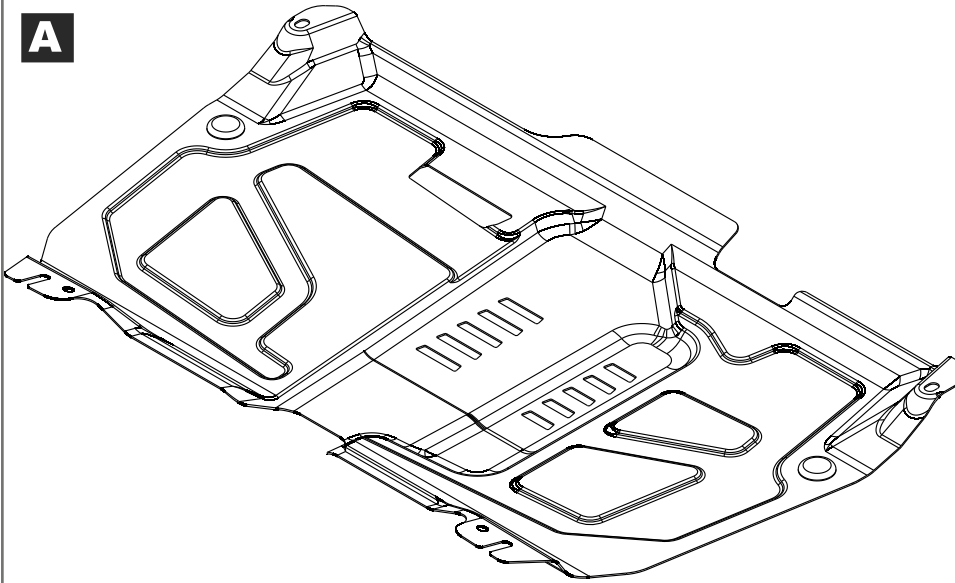


Installation instructions for 24.2123 and 24.2127

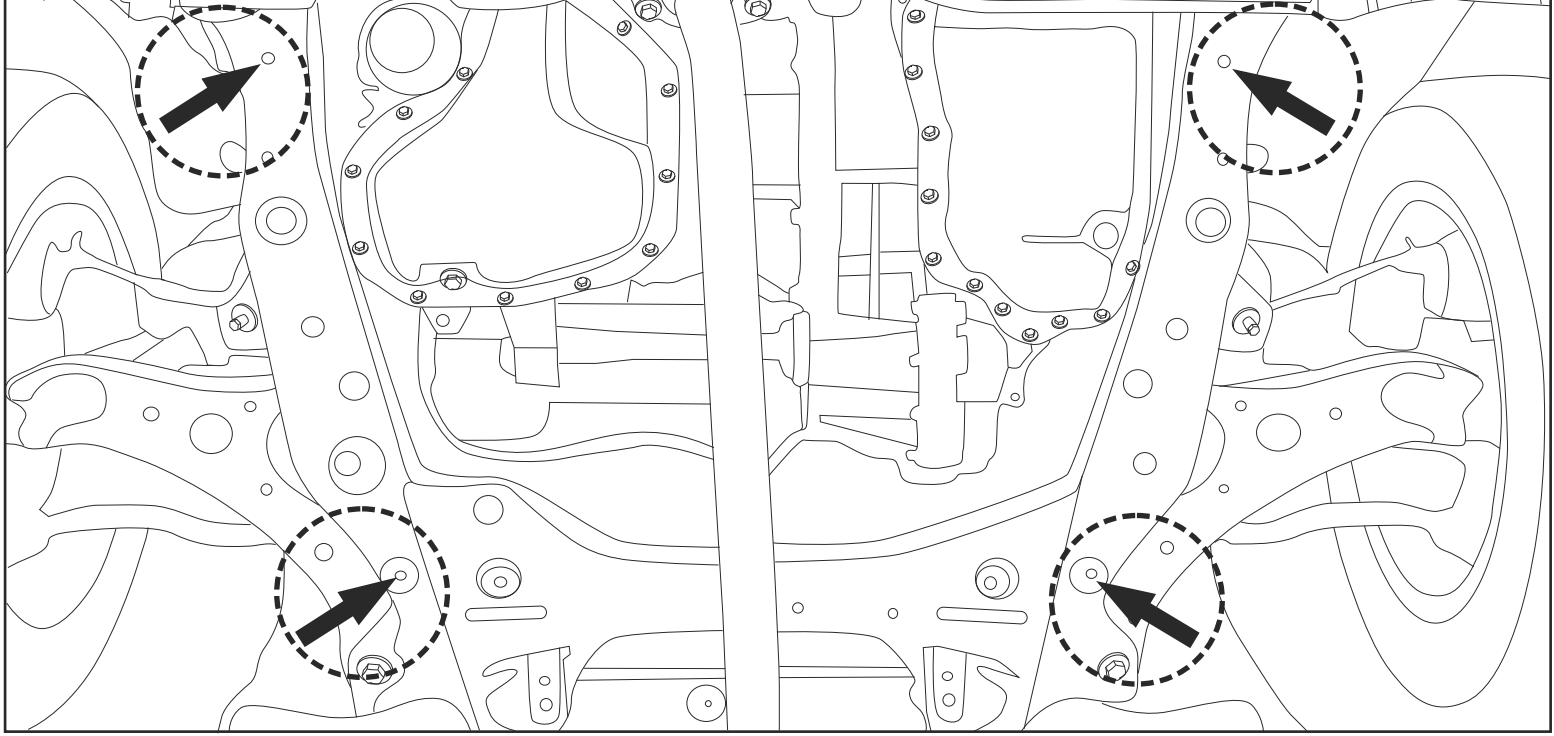
Under Run Protective Shield Engine Bay and Transmission Case



1

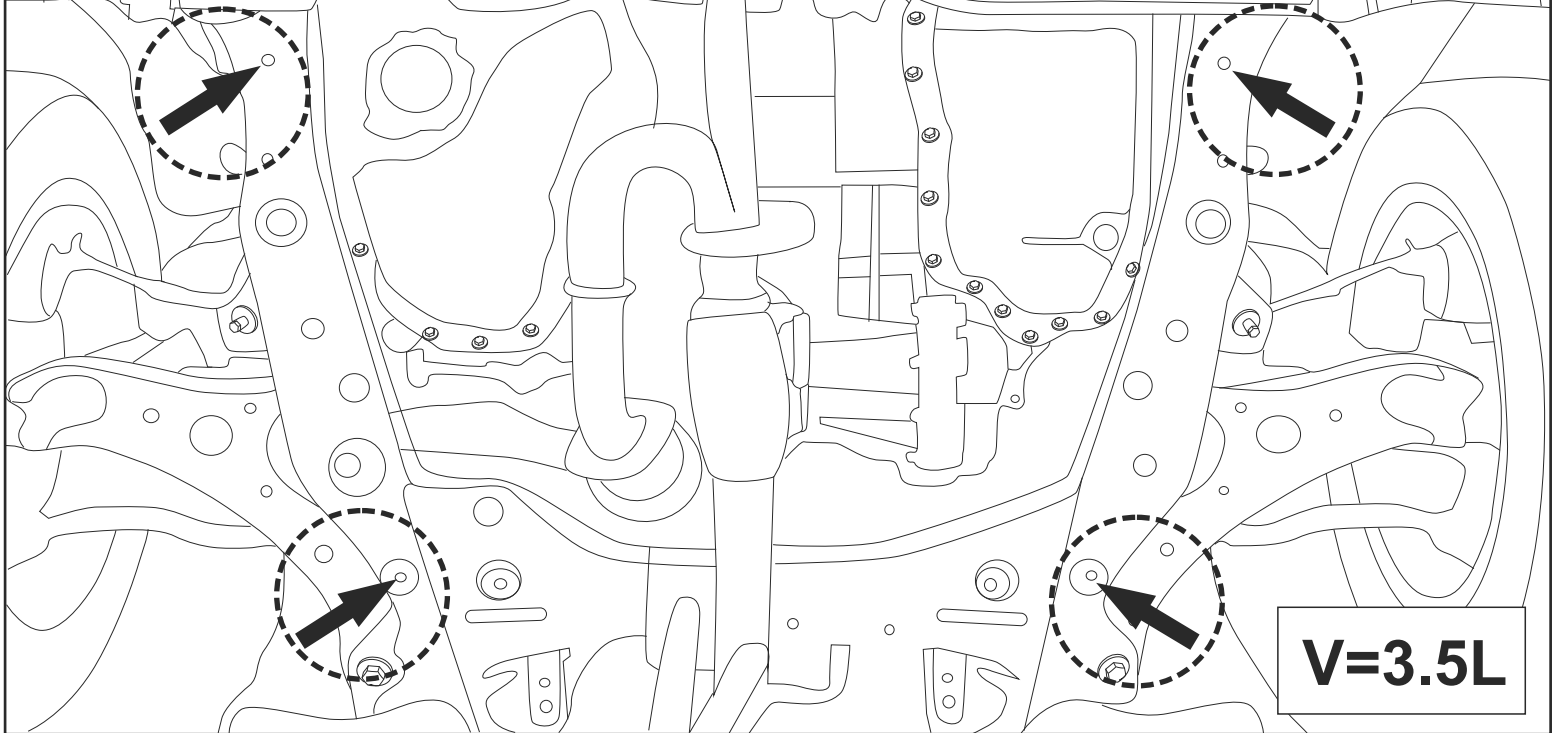
V=2.5L; 2.0L

FWD



1a

FWD



V=3.5L

Part number:

PZAL-02123-00; PZAL-02127-00

Issue:

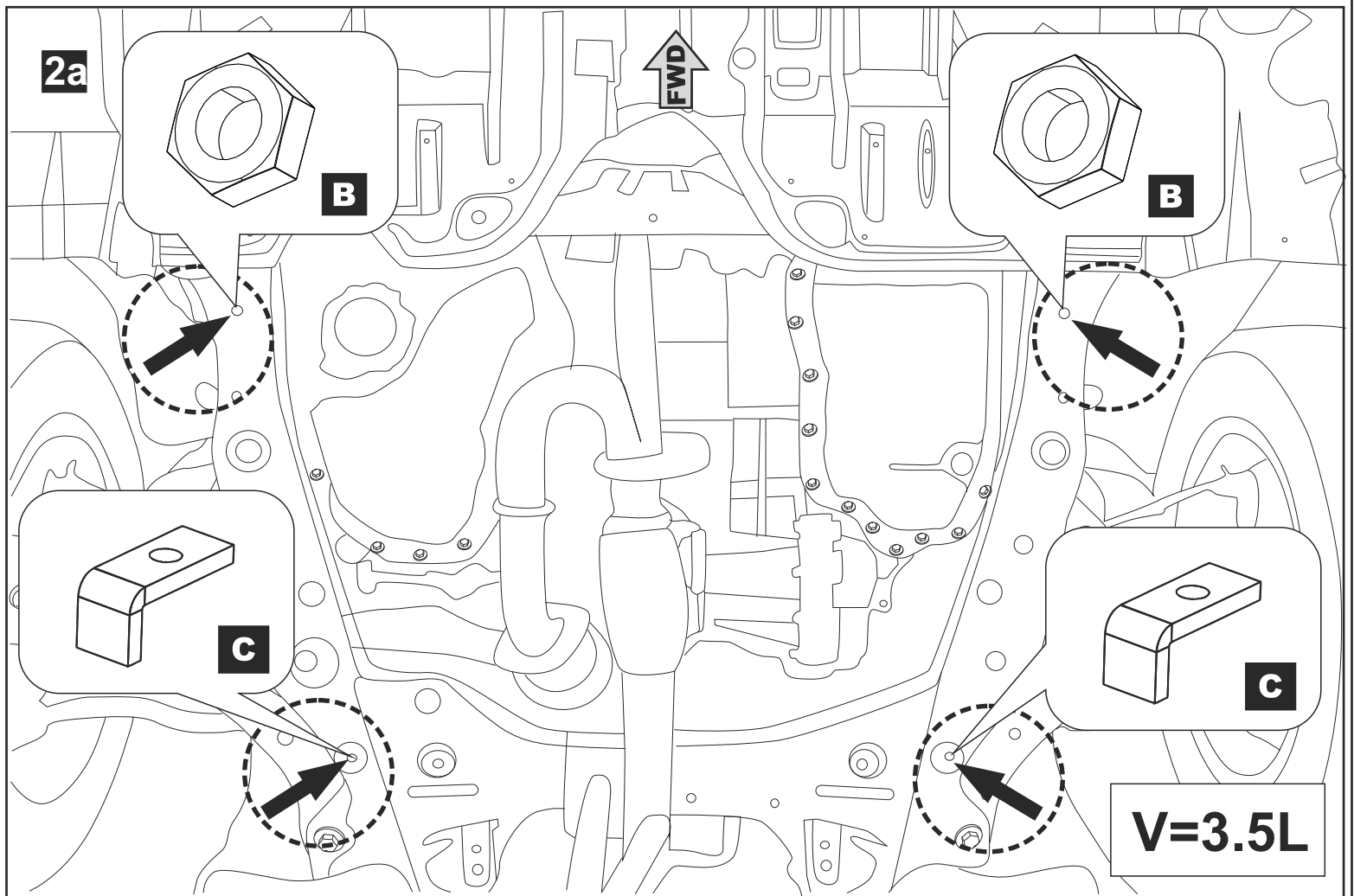
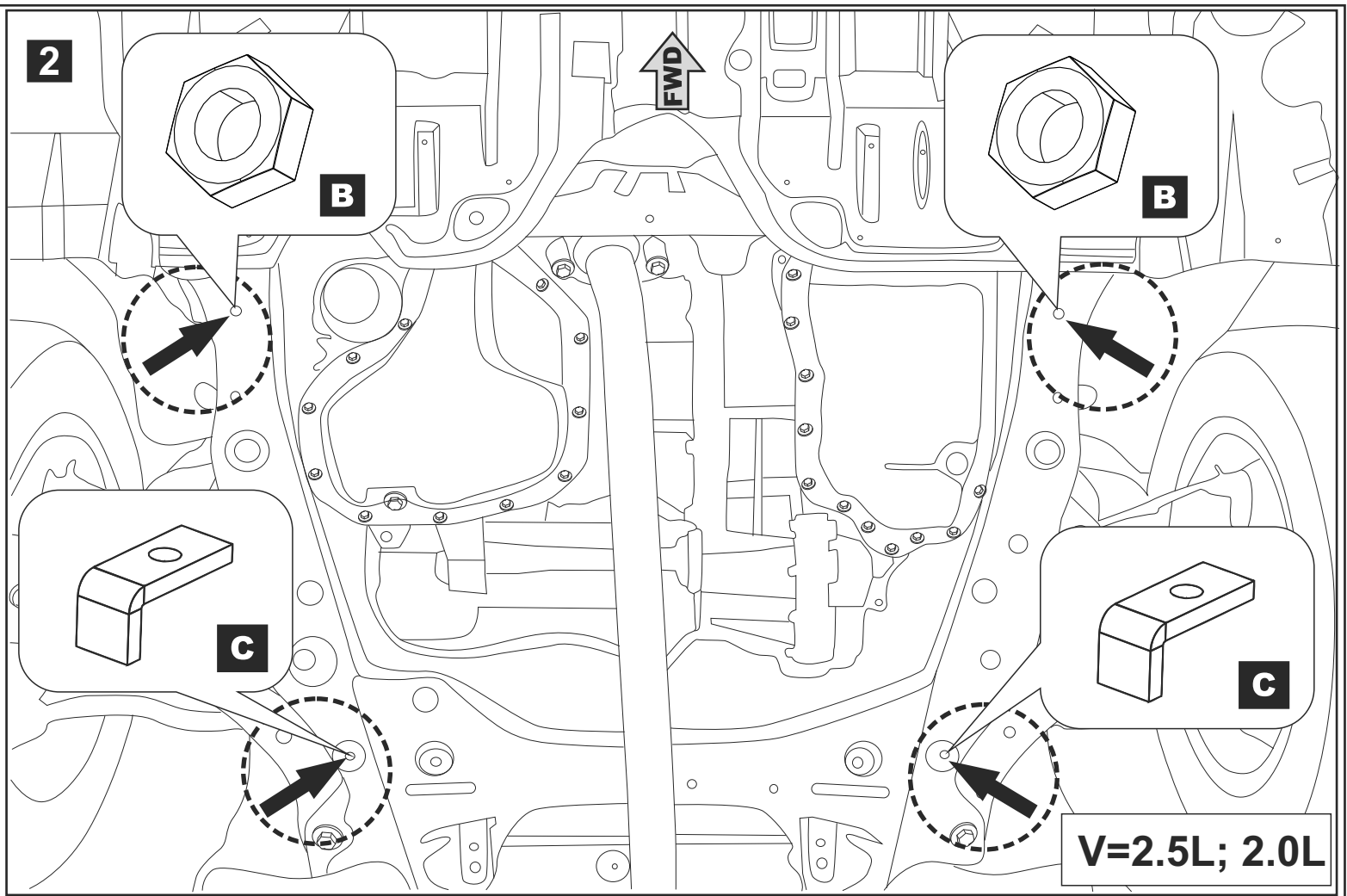
1

Date:

10/08/12

Page:

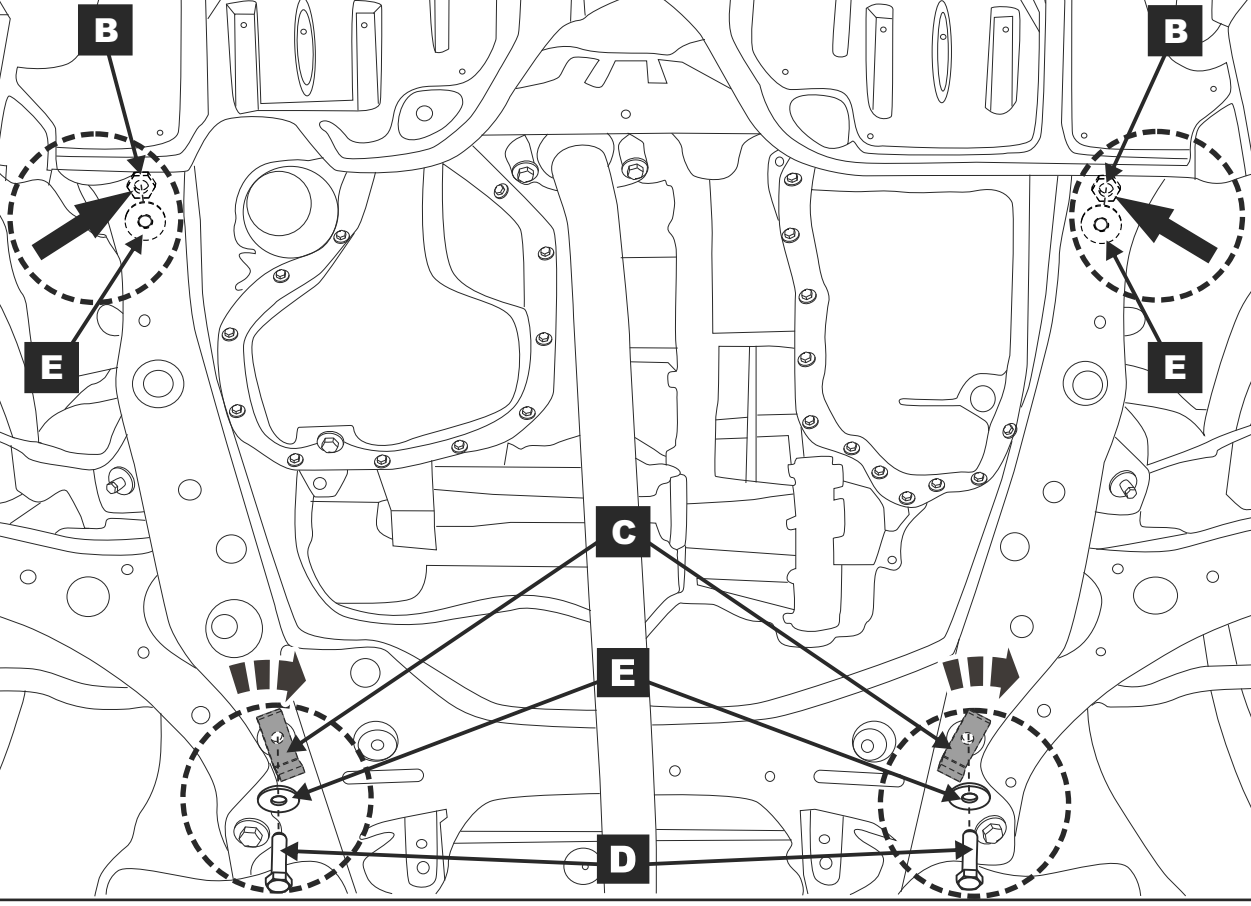
2/7



3

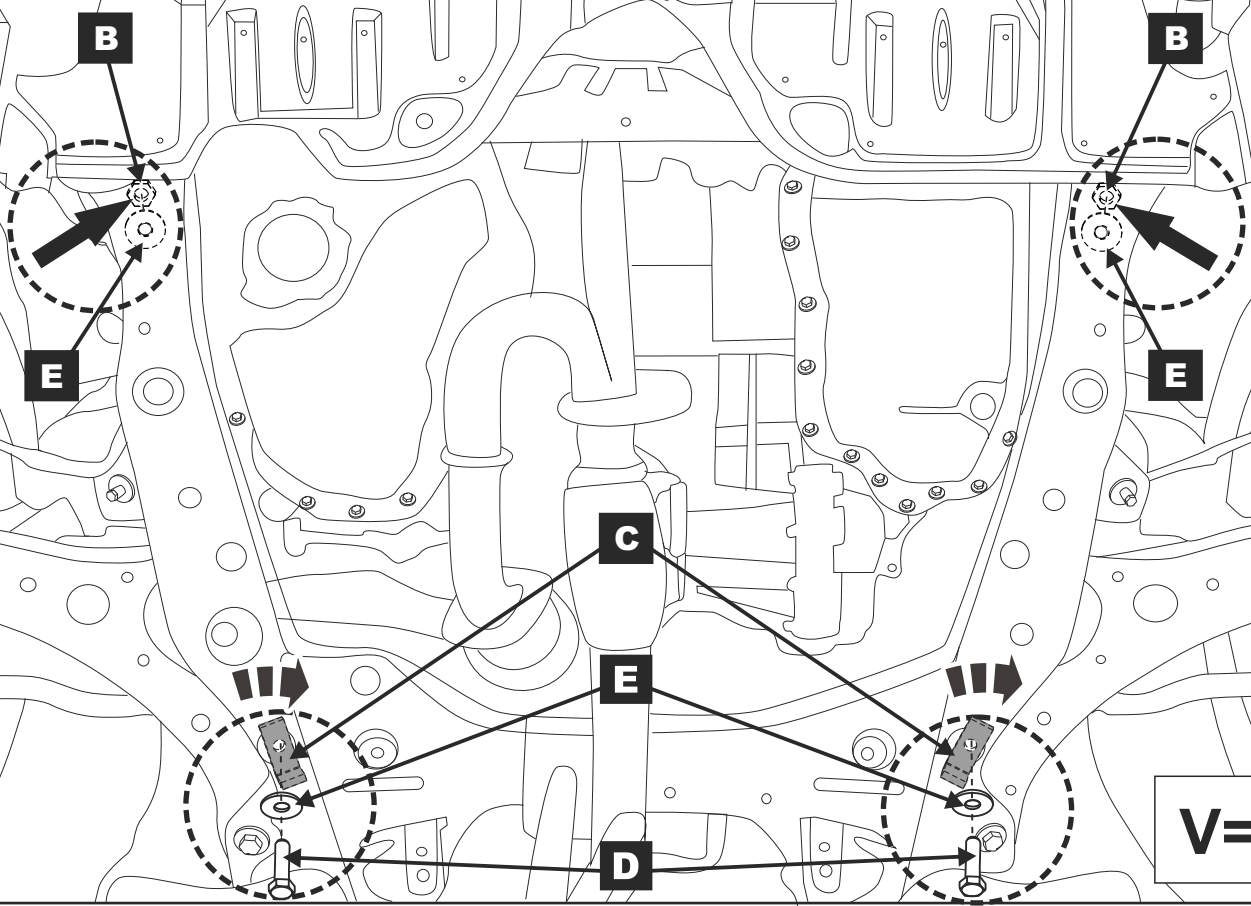
V=2.5L; 2.0L

FWD



3a

FWD

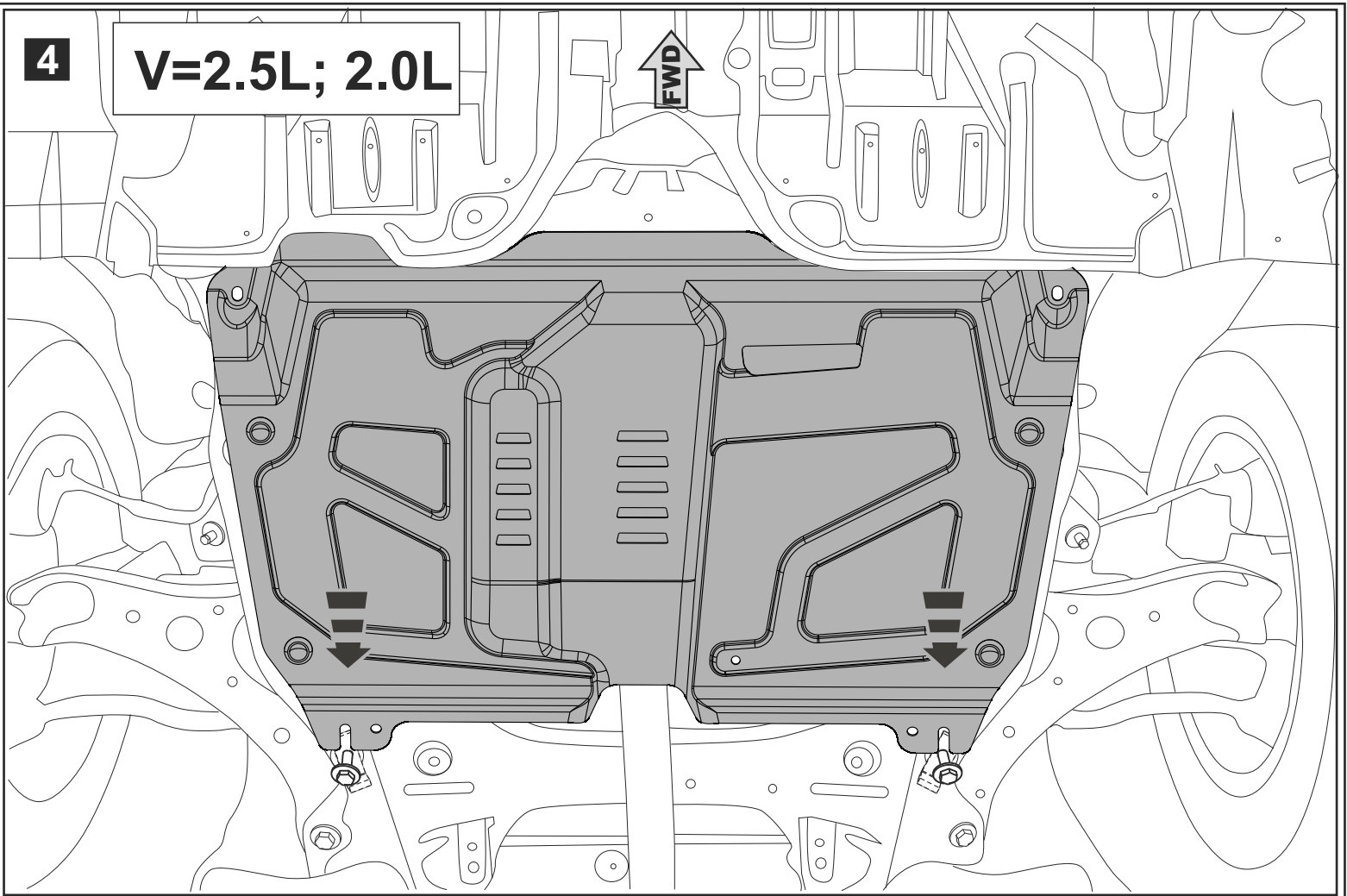


V=3.5L

4

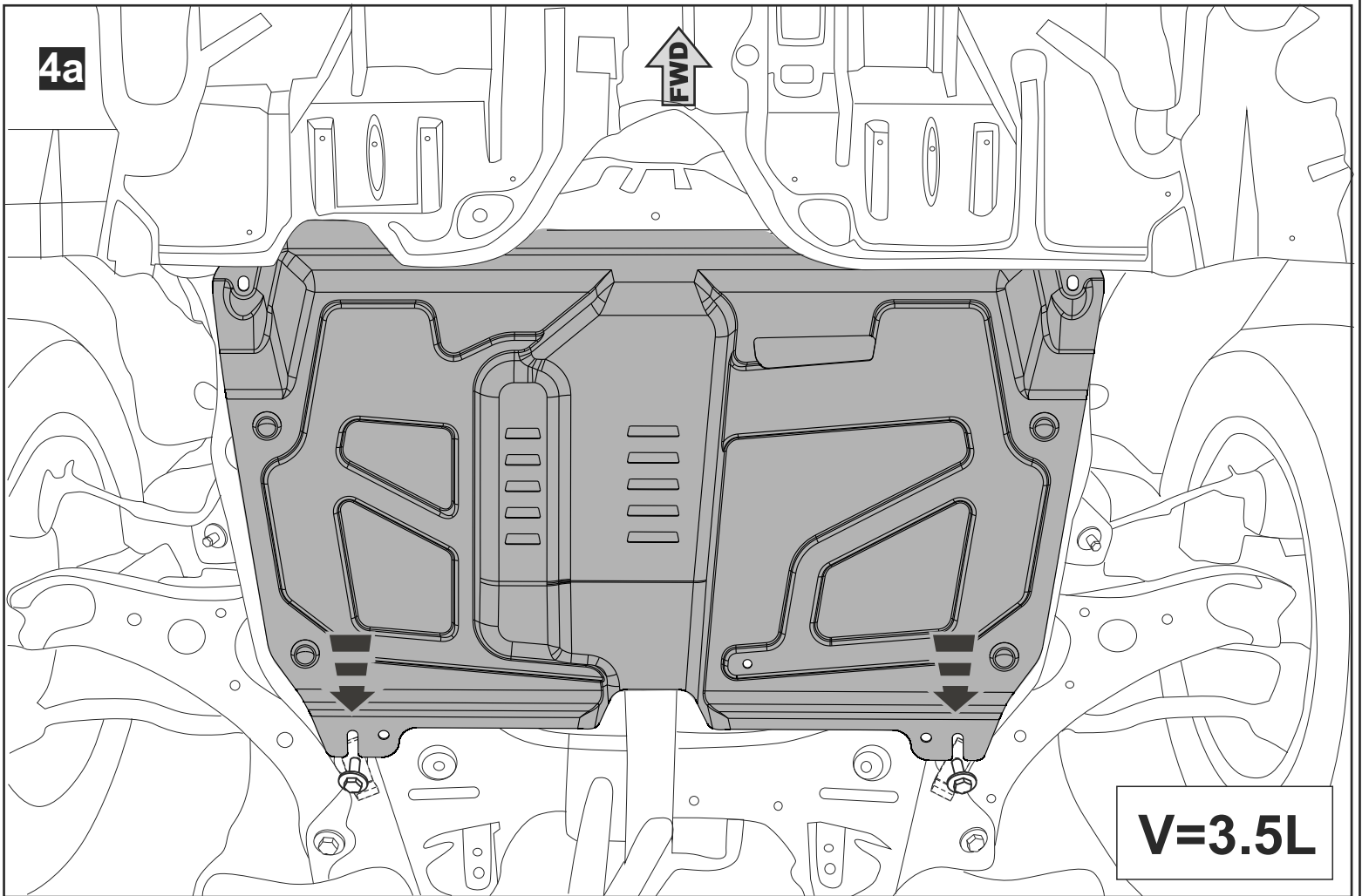
V=2.5L; 2.0L

FWD



4a

FWD



V=3.5L

5

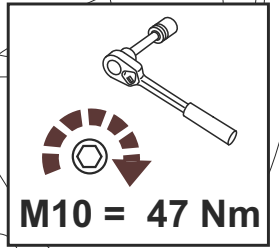
V=2.5L; 2.0L

FWD

B

E

D



5a

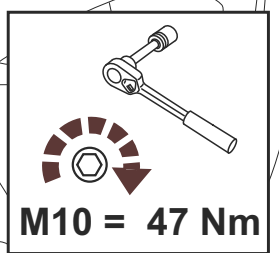
V=3.5L

FWD

B

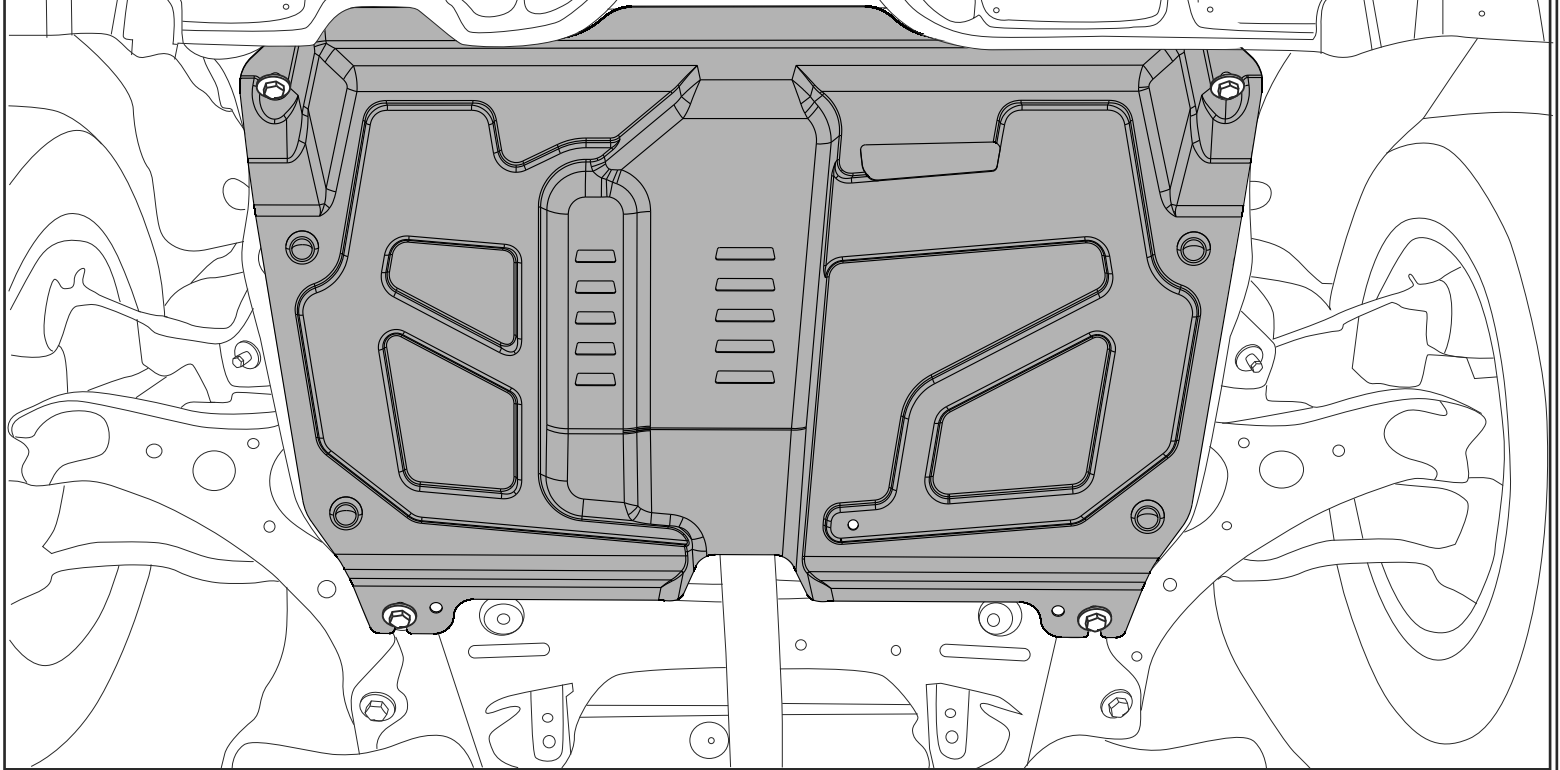
E

D



6

V=2.5L; 2.0L



6a

V=3.5L

