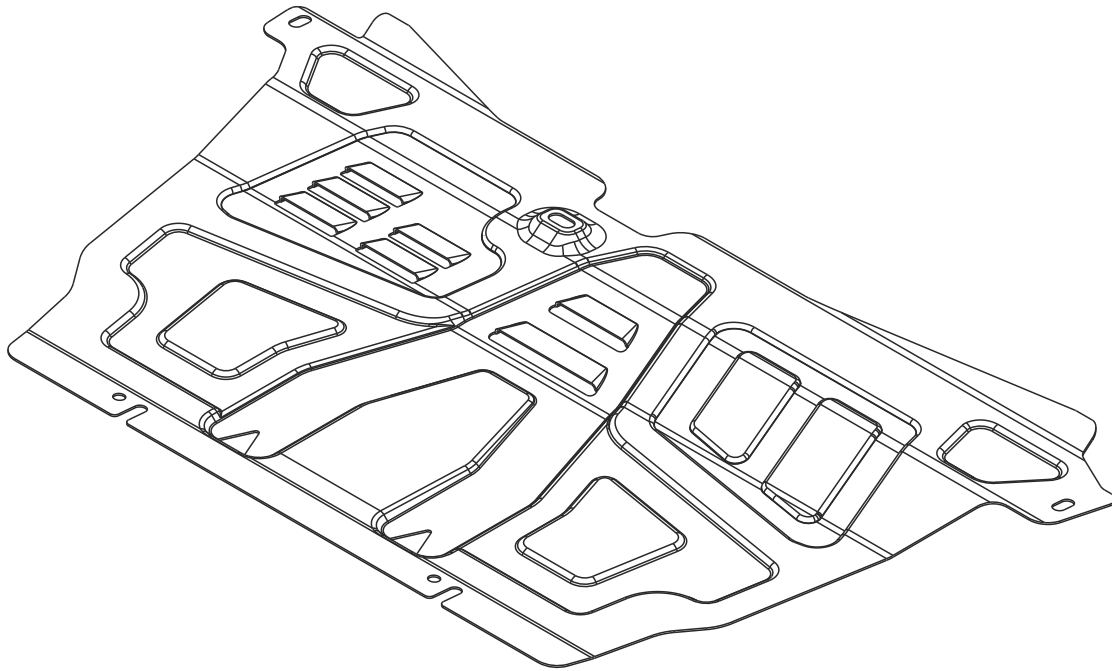


Installation instruction for 24.1576 and 24.1839
Under Run Protective Shield Engine Bay and Transmission Case

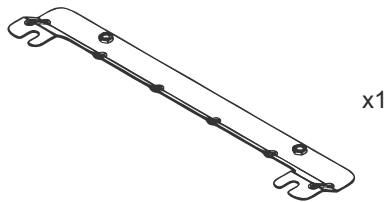
A



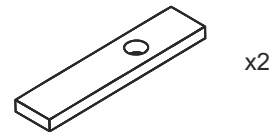
Toyota Avensis

Model year: 2009

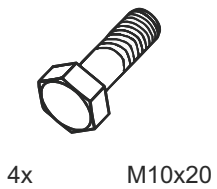
B



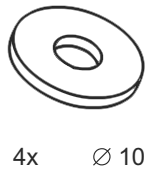
C



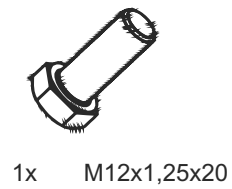
D



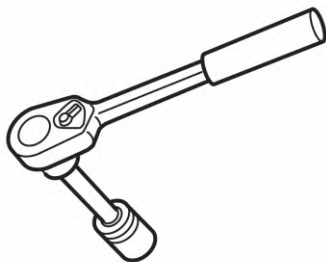
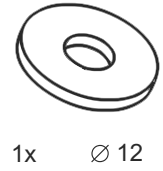
E



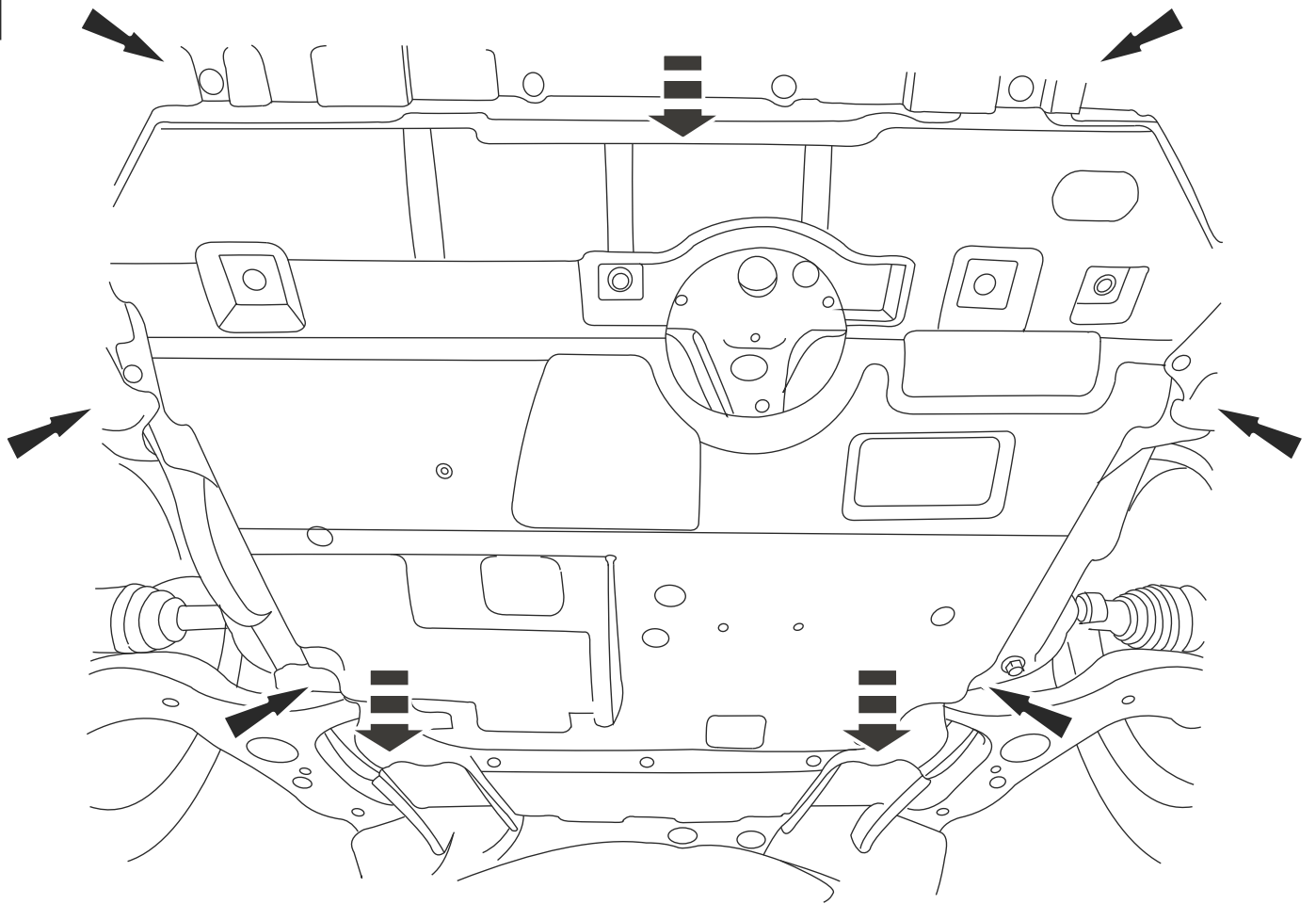
F



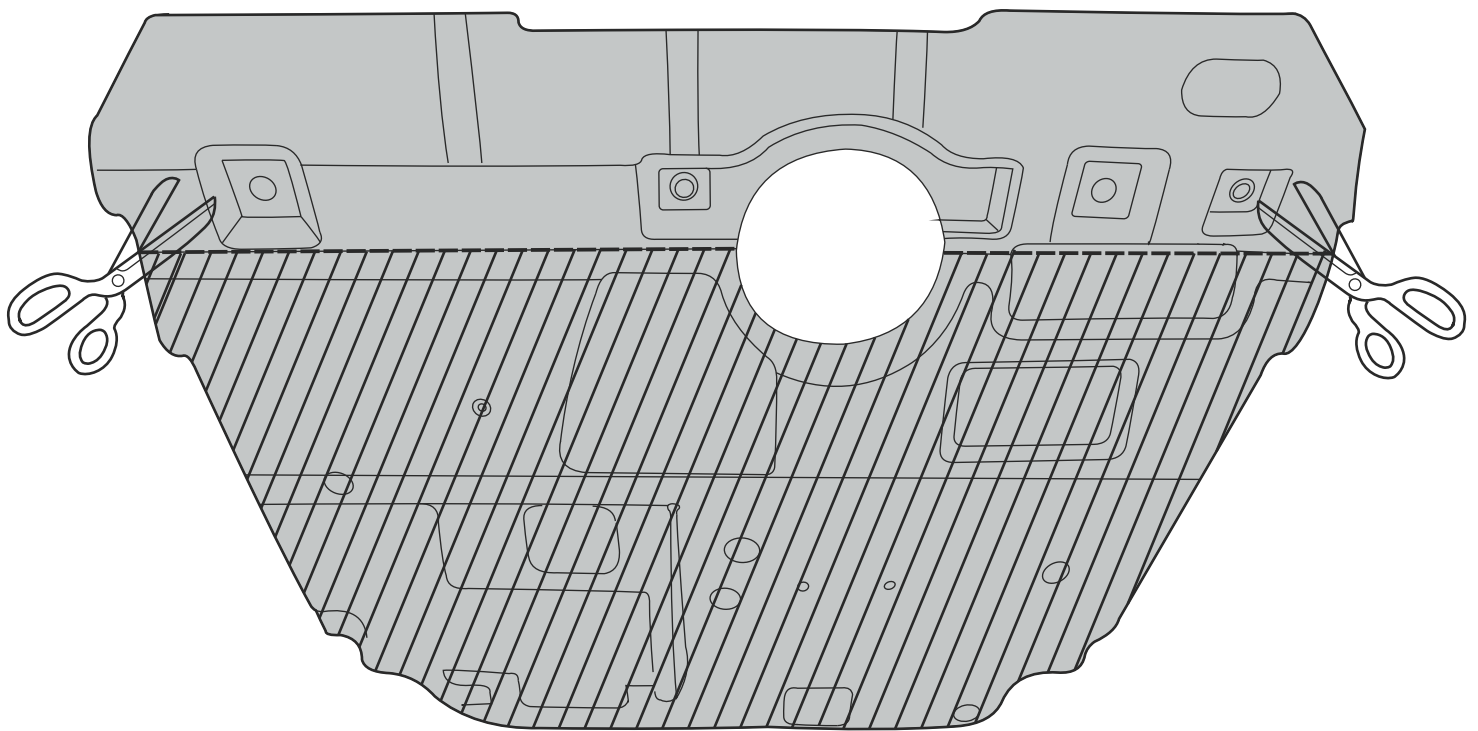
G



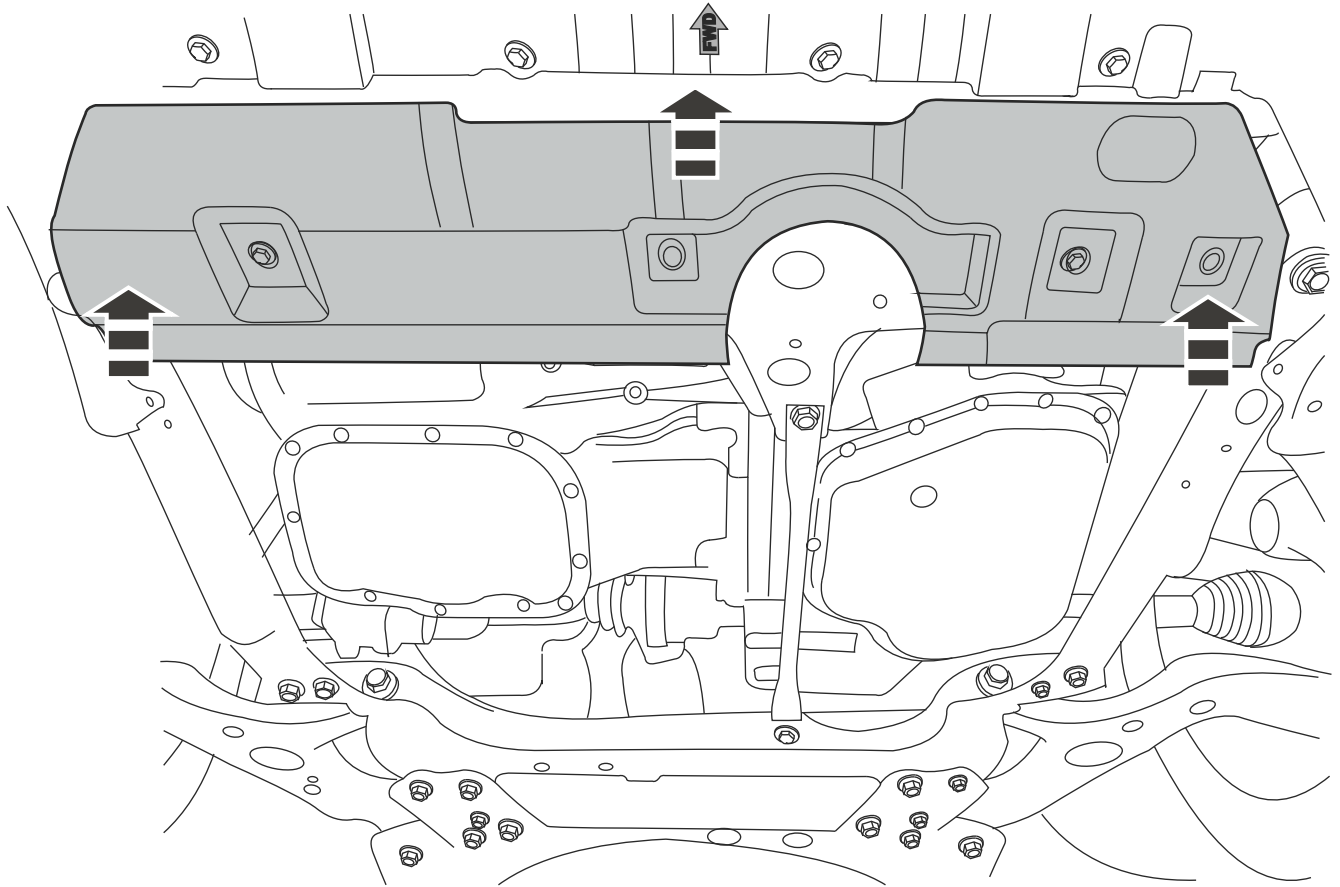
1



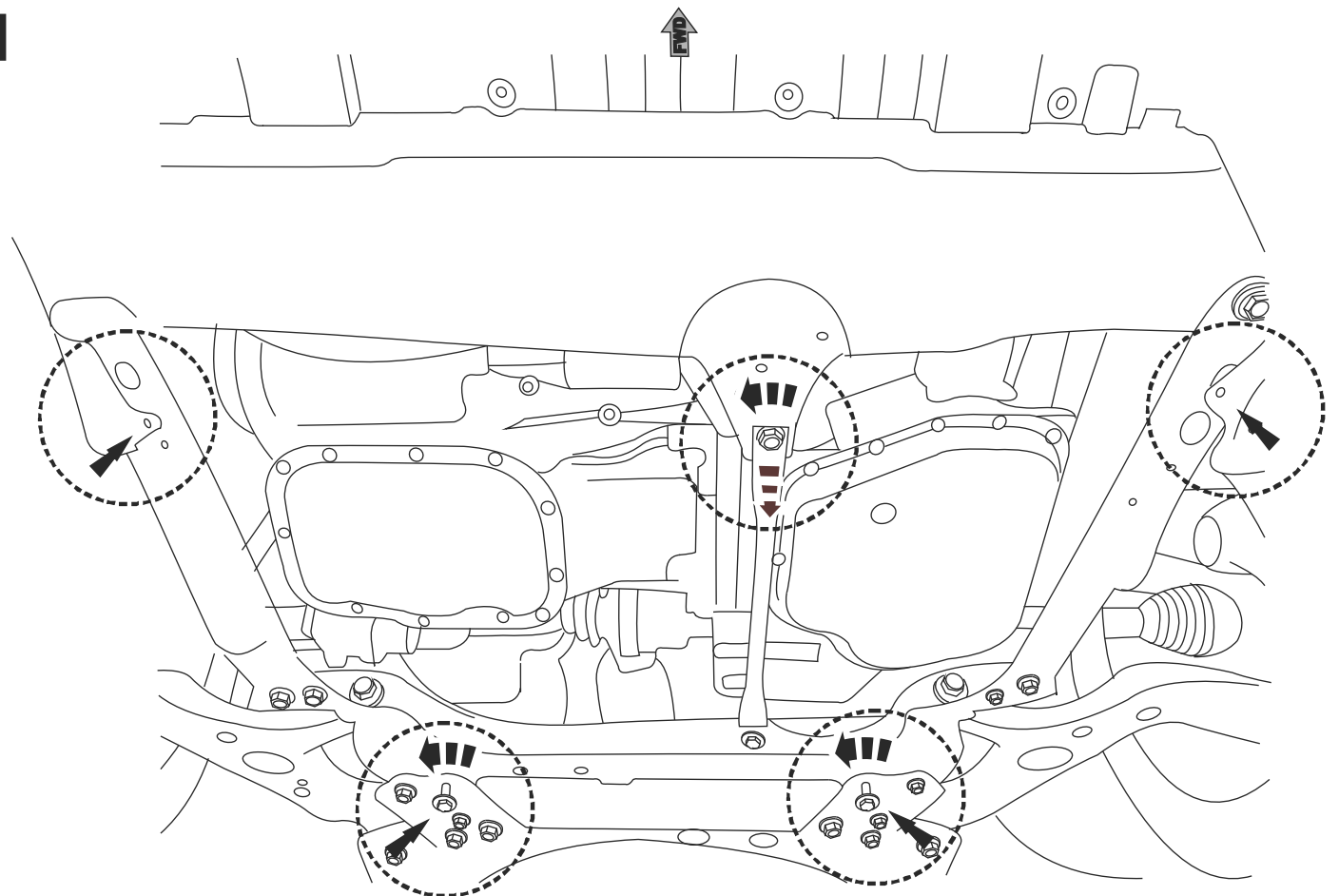
2



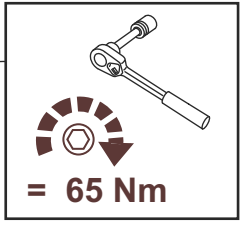
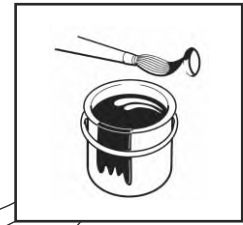
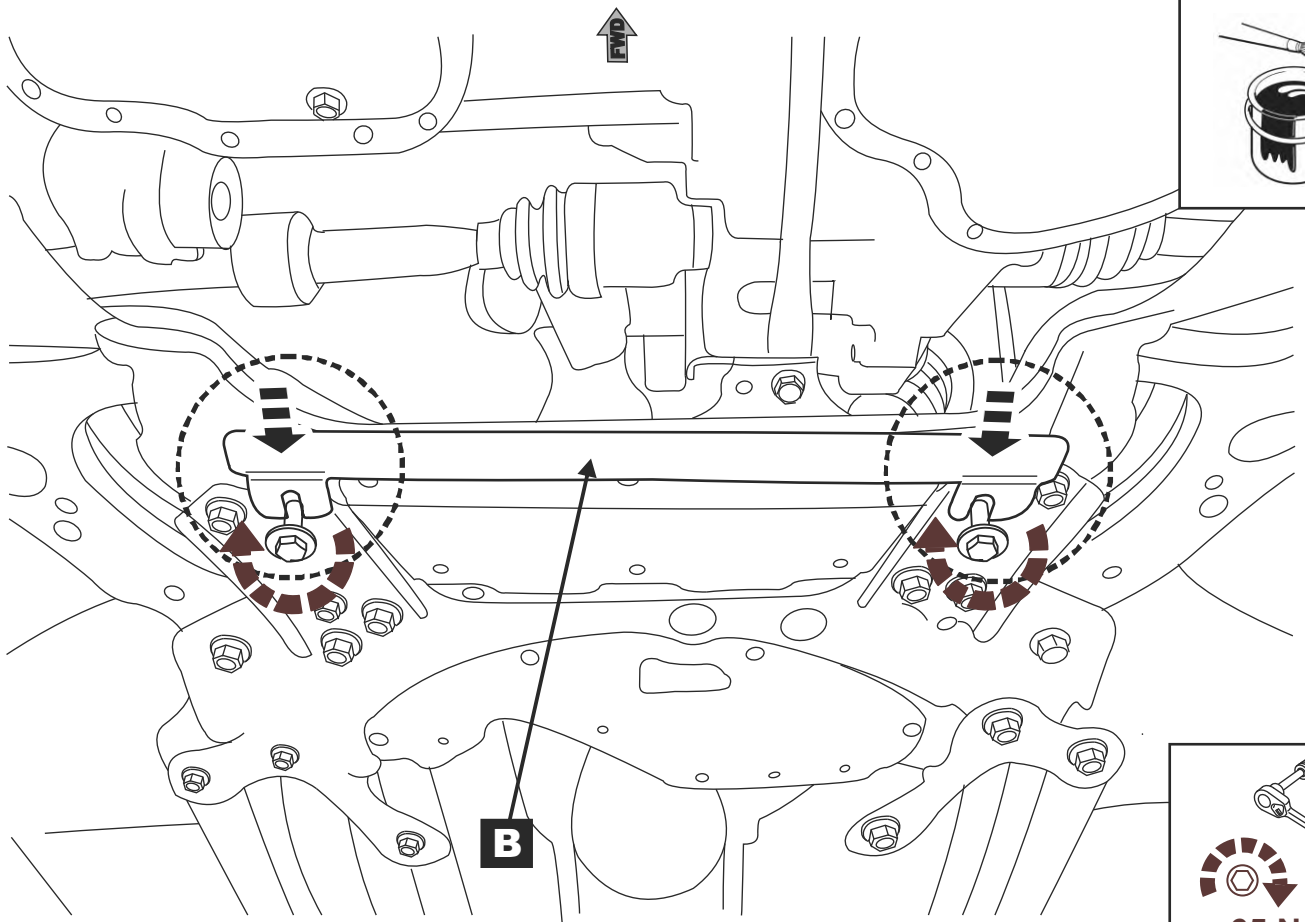
3



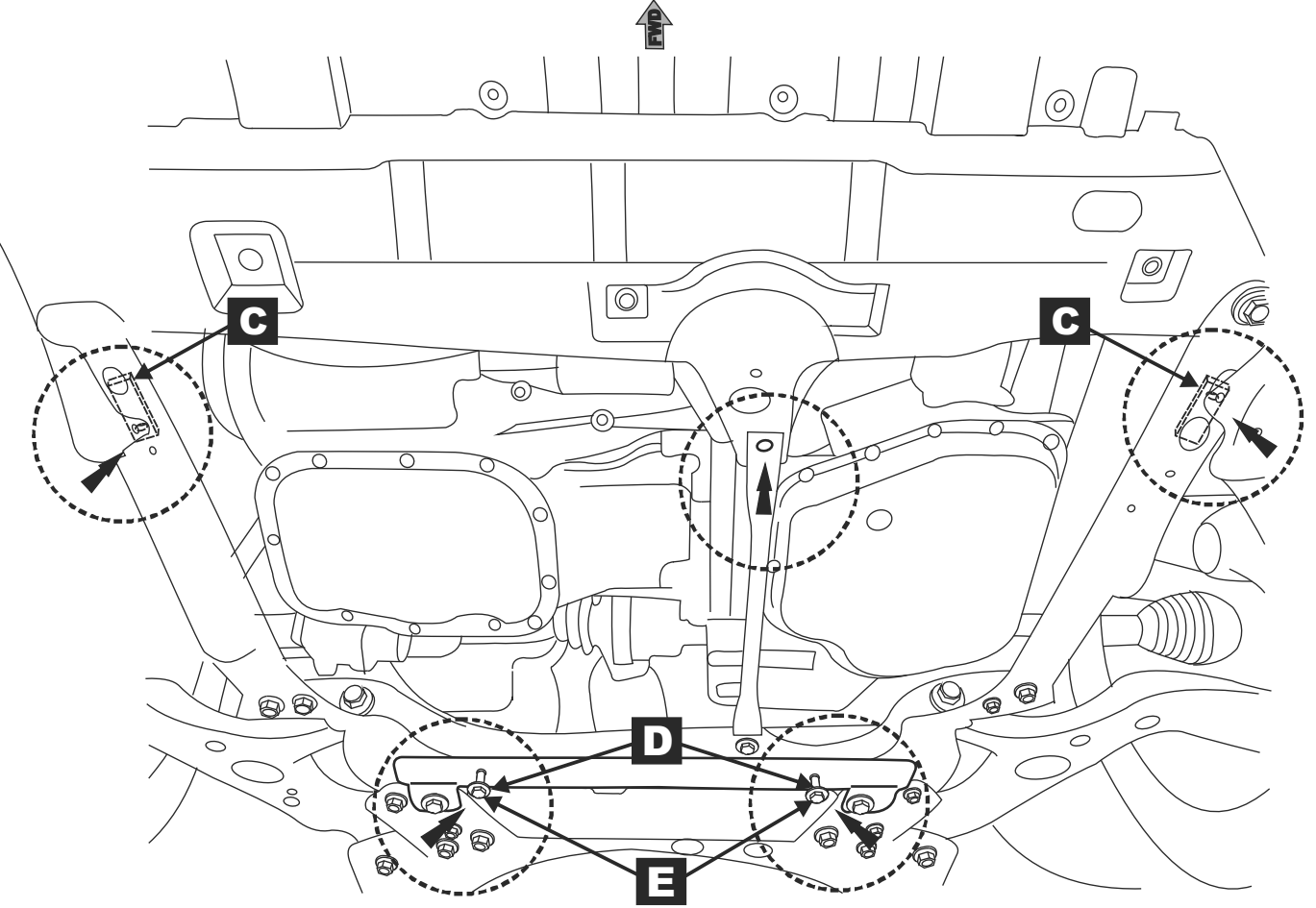
4



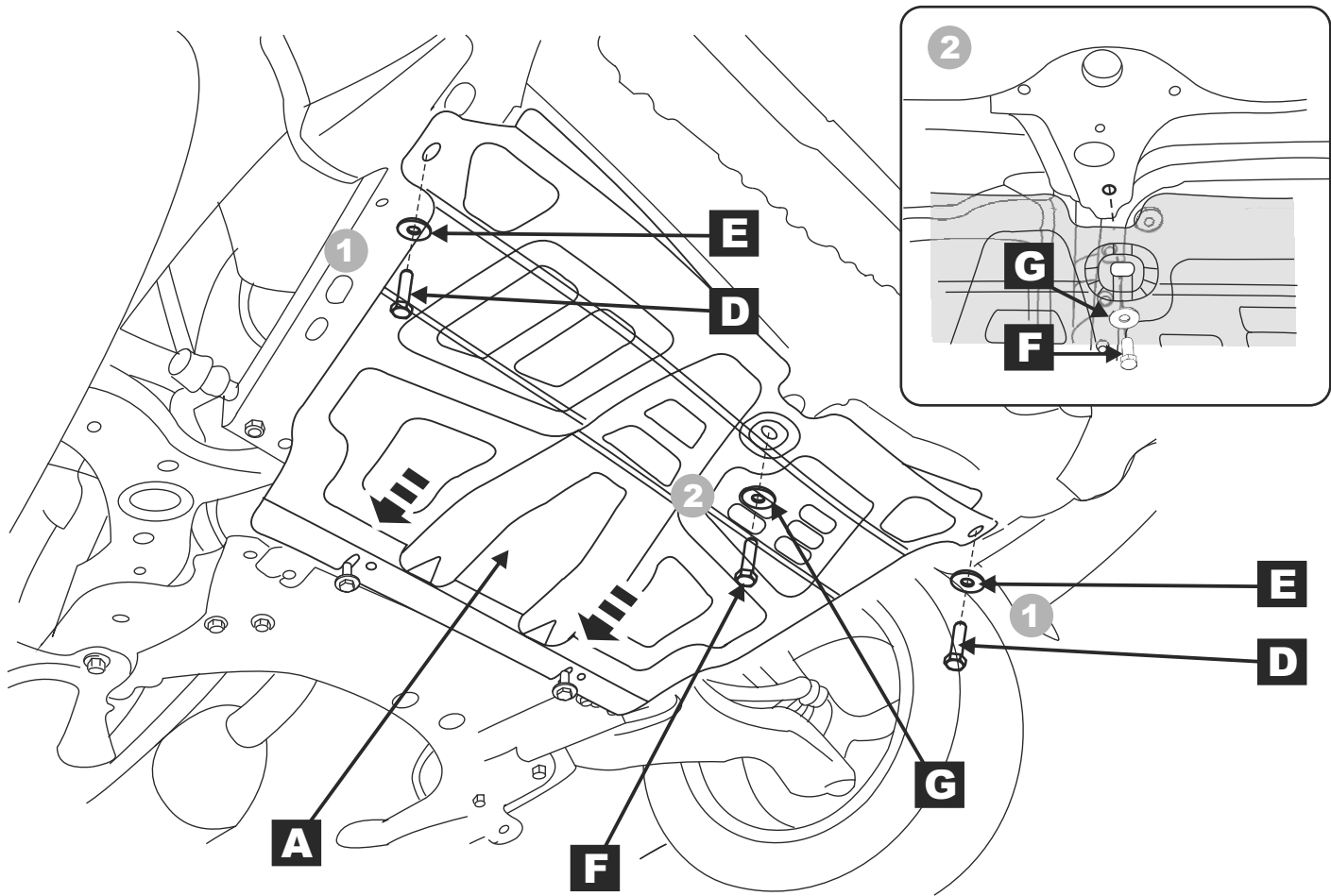
5



6



7



8

