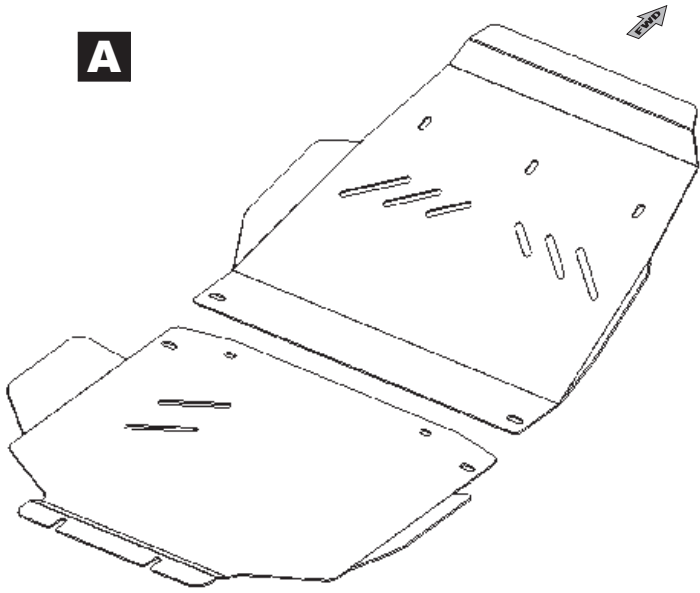


Toyota Land Cruiser 200

LC200 - 2007

**A**



**B**



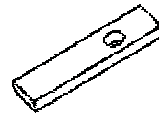
X1

**C**



X2

**D**



X2

**E1**



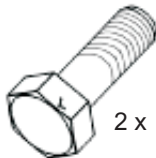
X2 8

**E2**



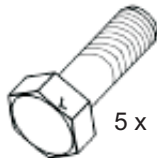
X9 10

**F1**



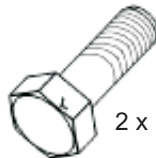
2 x M 8x20

**F2**



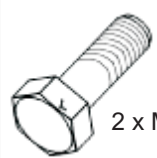
5 x M 10x20

**F3**

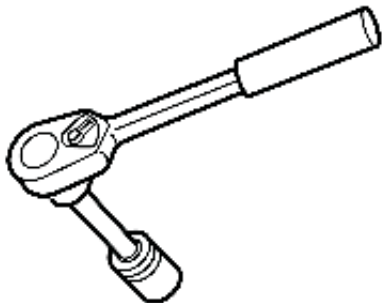


2 x M 10x30

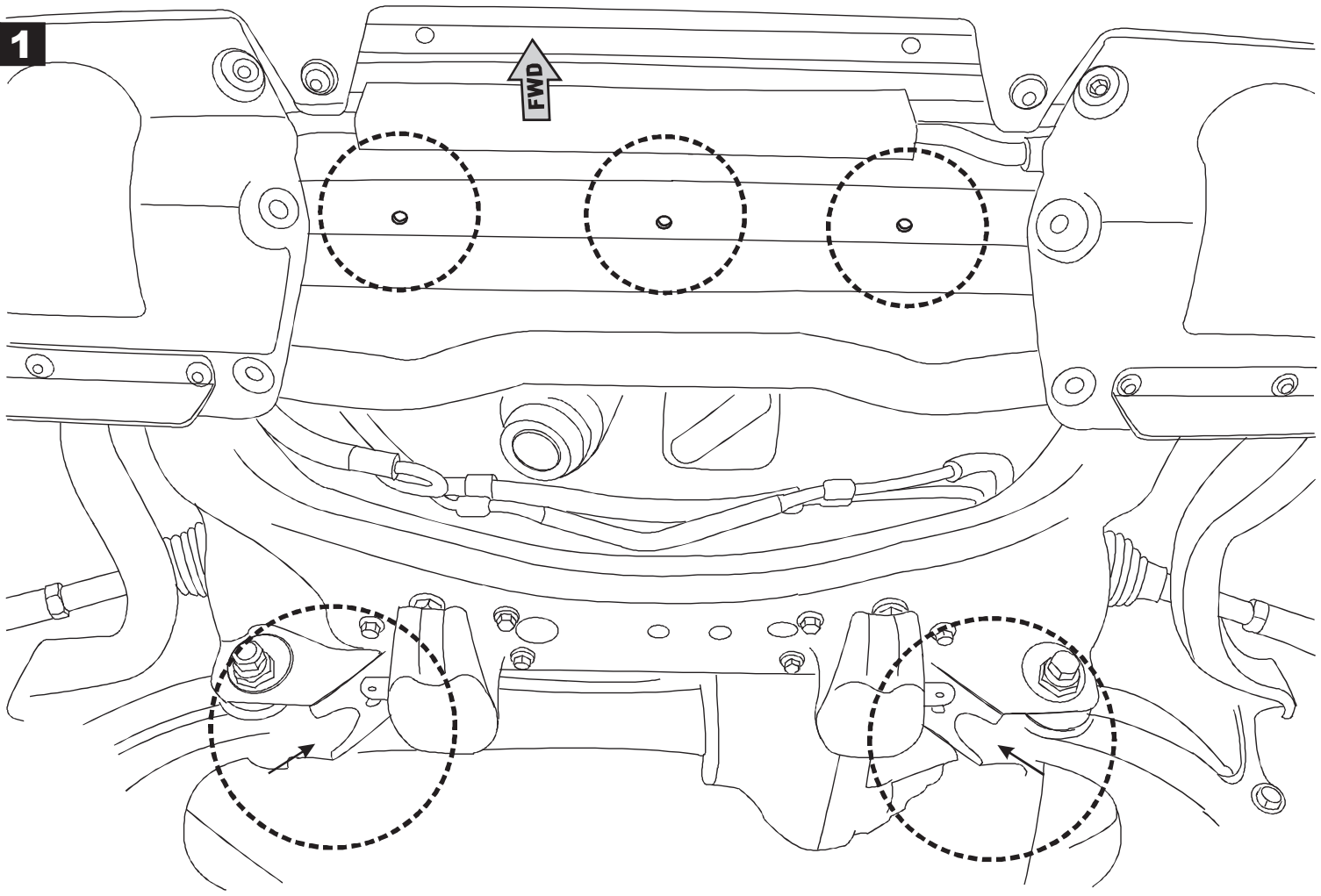
**F4**



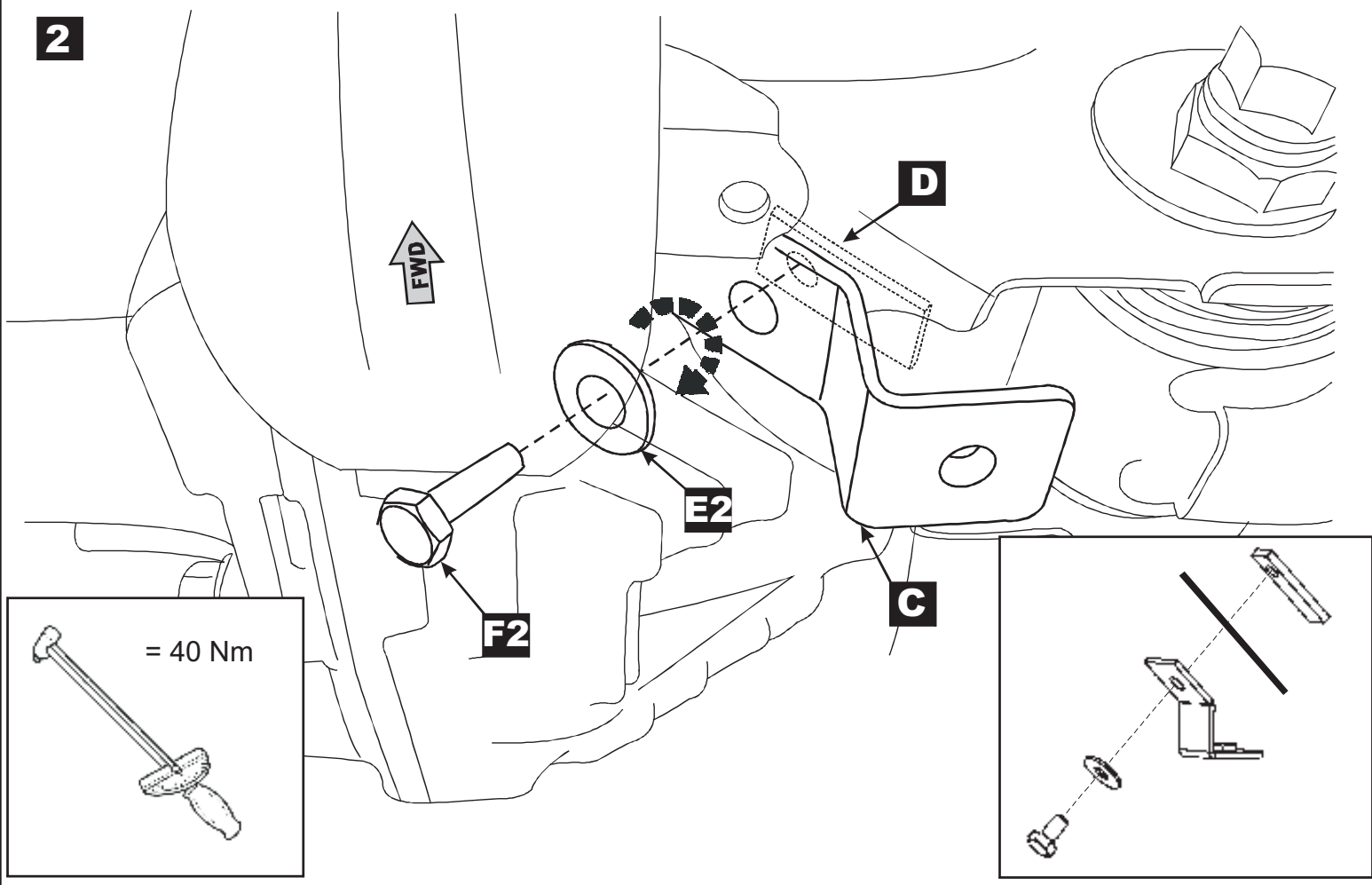
2 x M 10x1.25x30



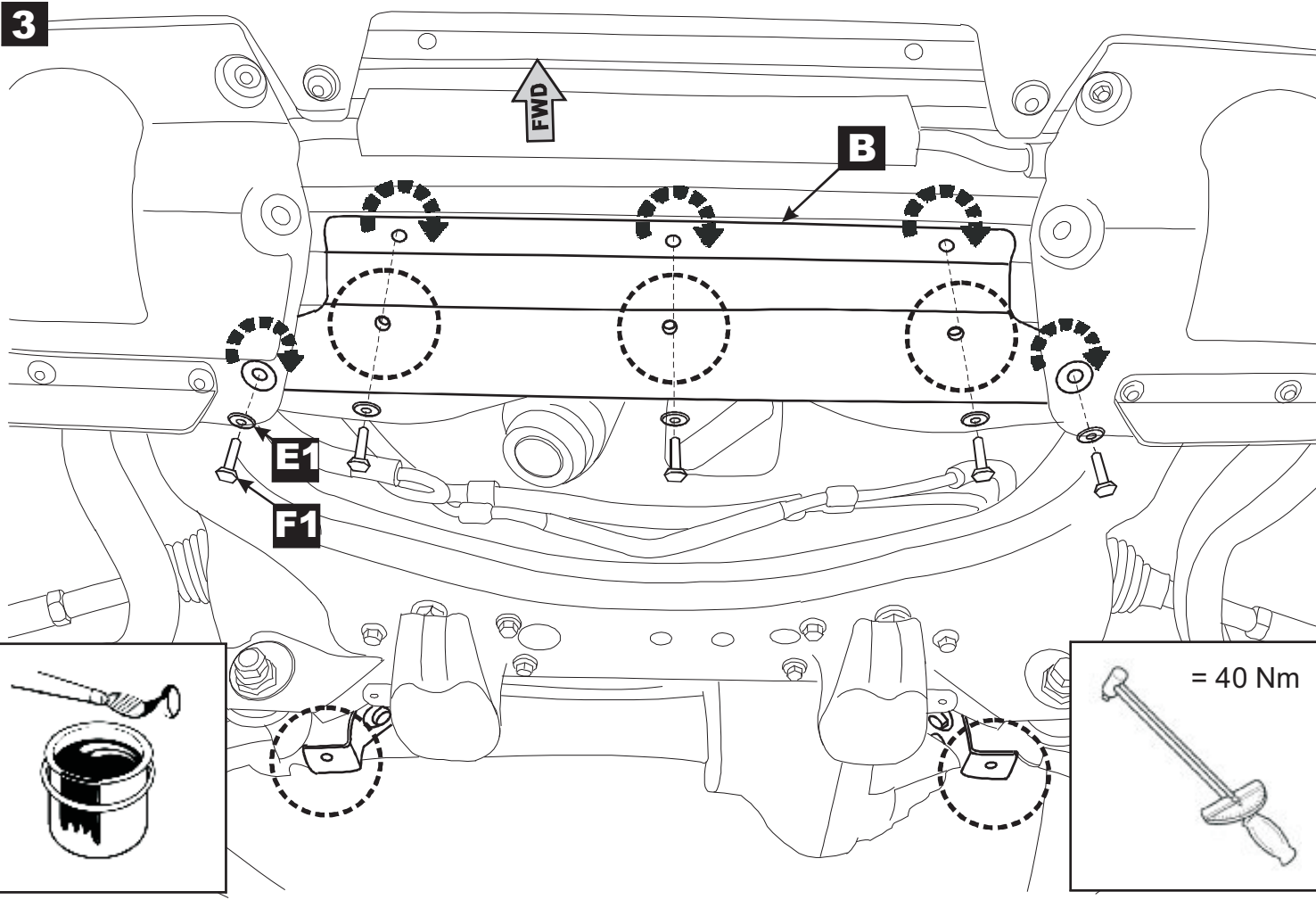
**1**



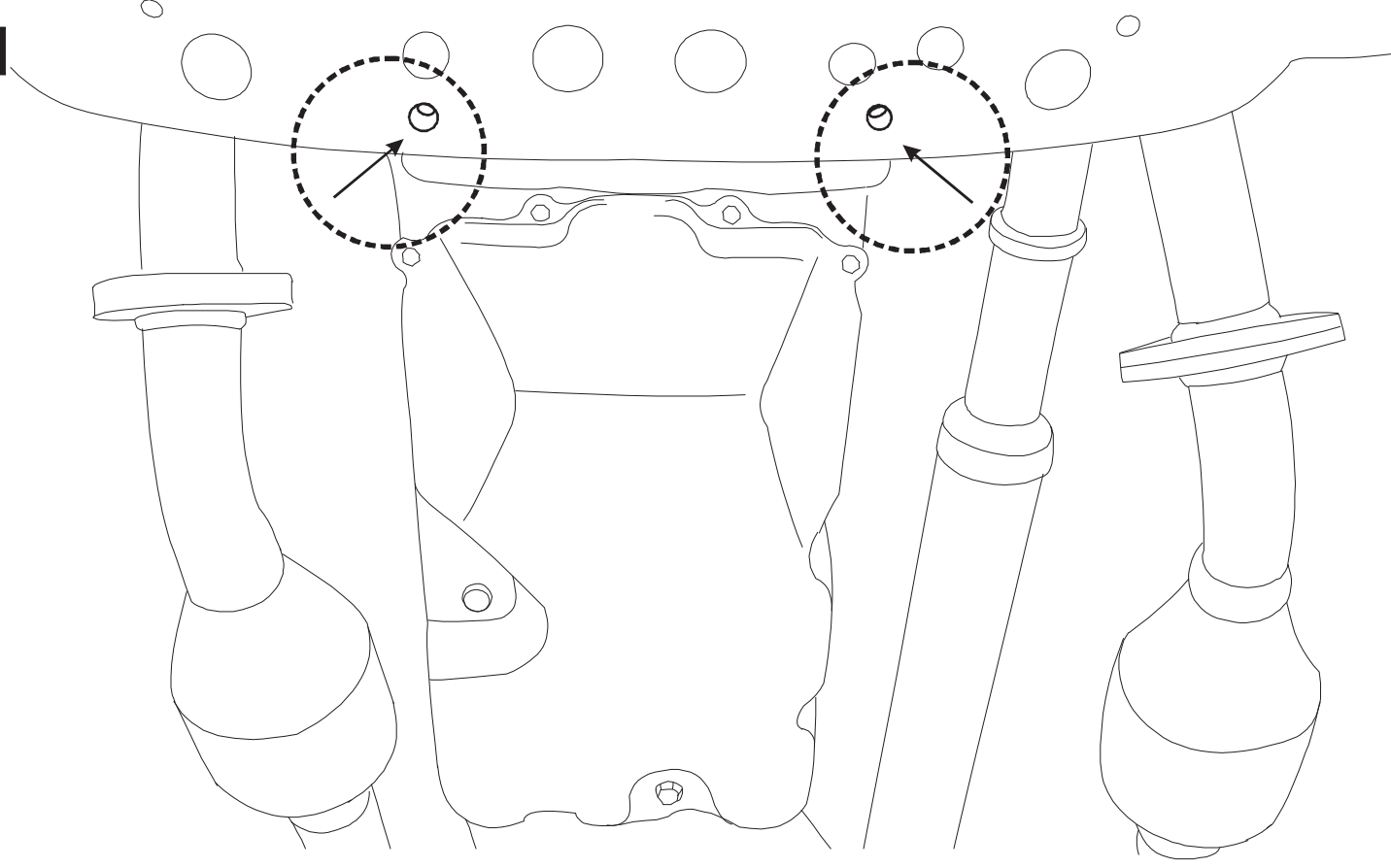
**2**



**3**



**4**



**5**

= 55 Nm

