

## Toyota Hilux

Under run protective shield

Installation Instructions



Model Year: 2005-

Part Number: 24.1157

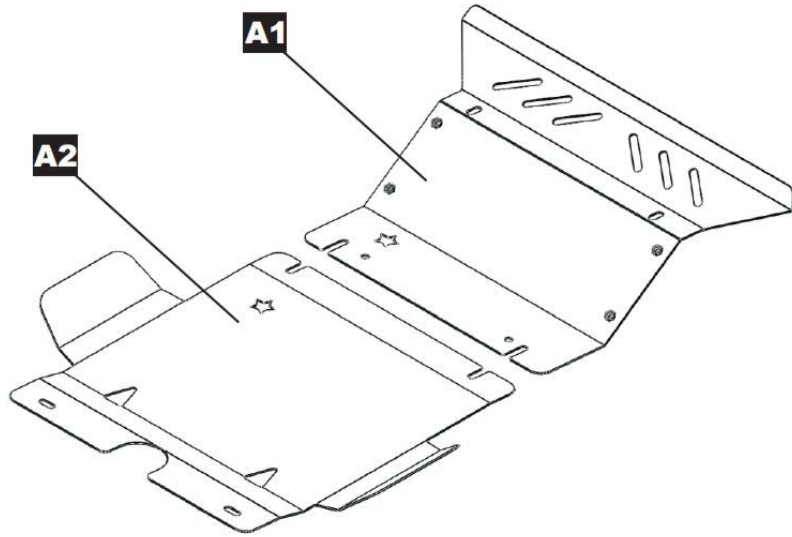


Weight: 10.72 kg



Installation Time: 30 min

Part number: 24.1157

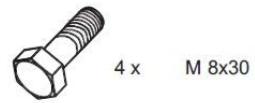


24.1157-60

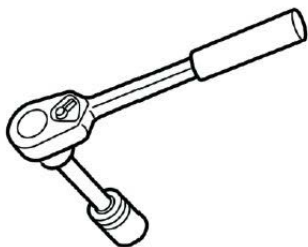
**B1**



**B2**



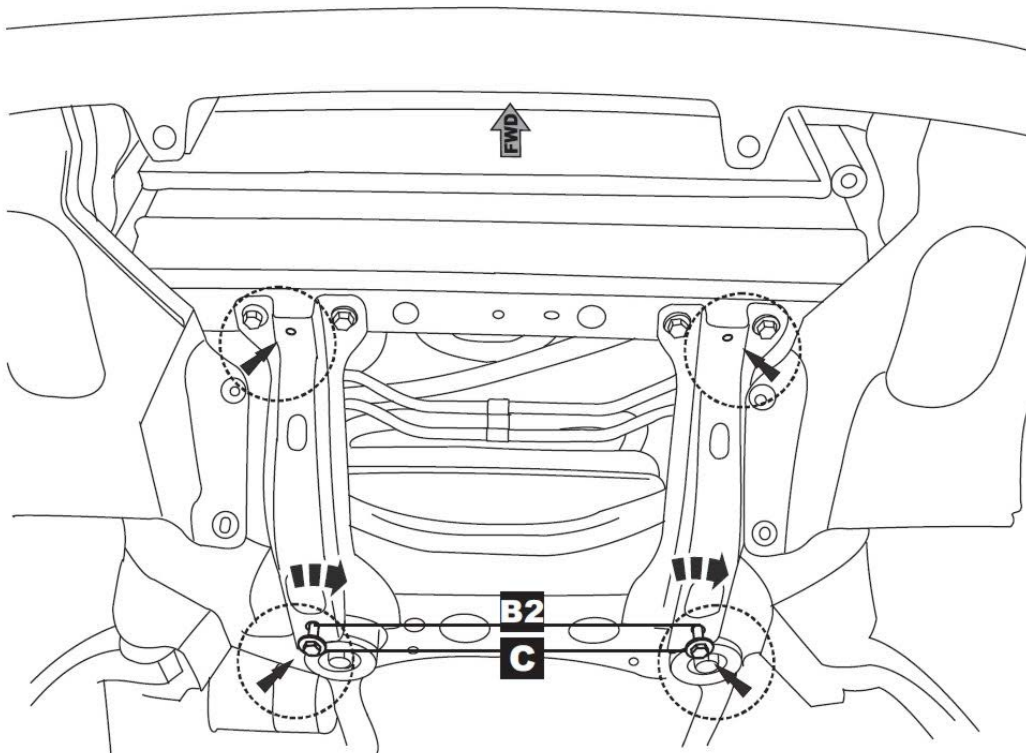
**C**



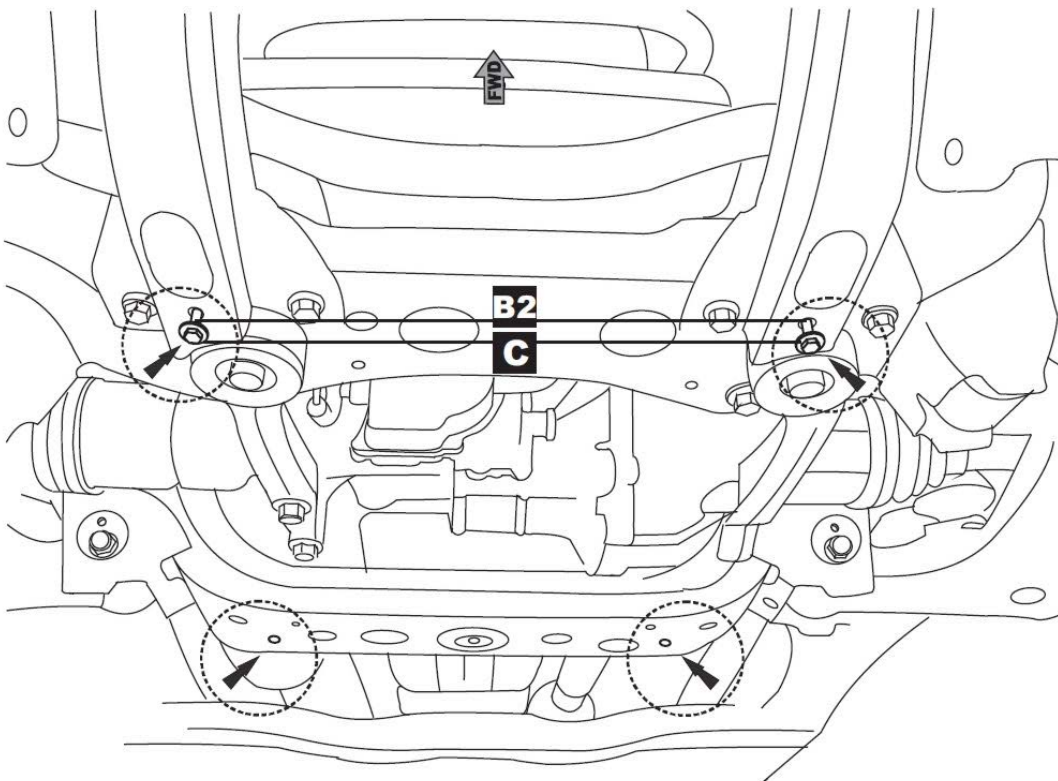
Part number:  
24.1157

Page:  
2/5

**1**



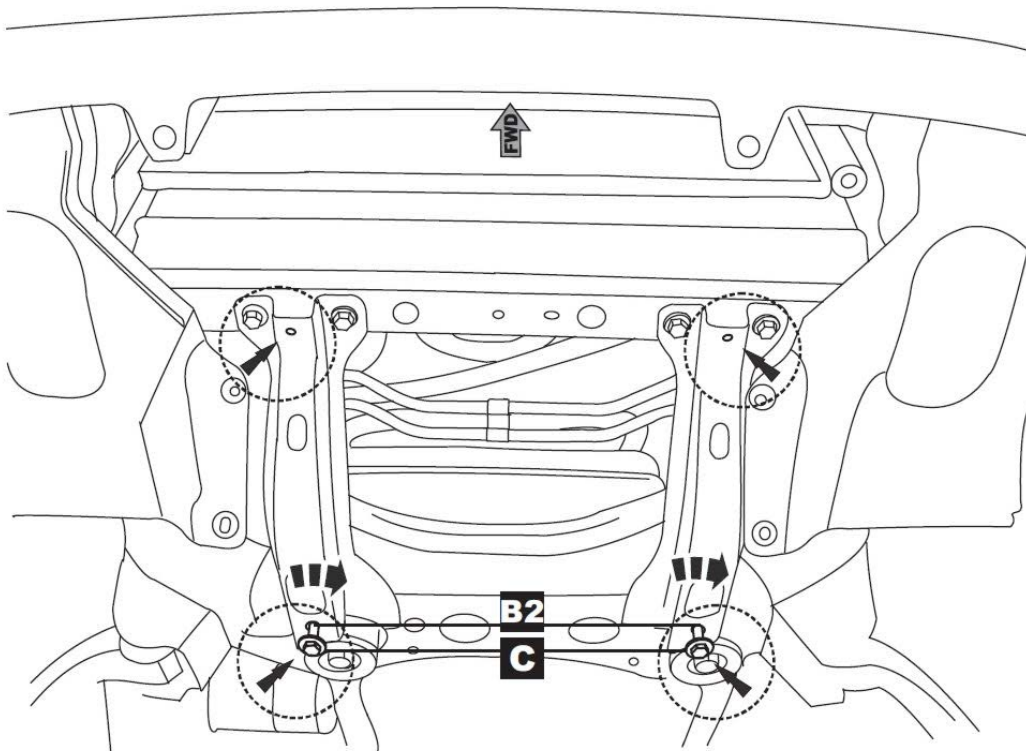
**2**



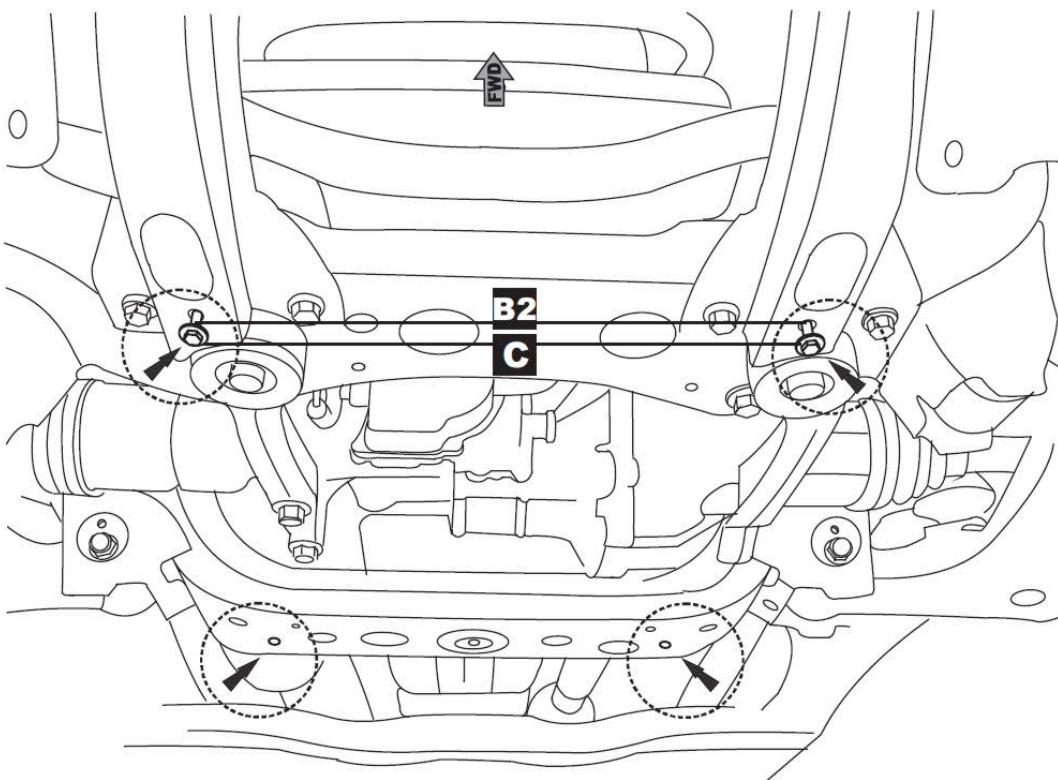
Part number:  
24.1157

Page:  
3/5

**1**



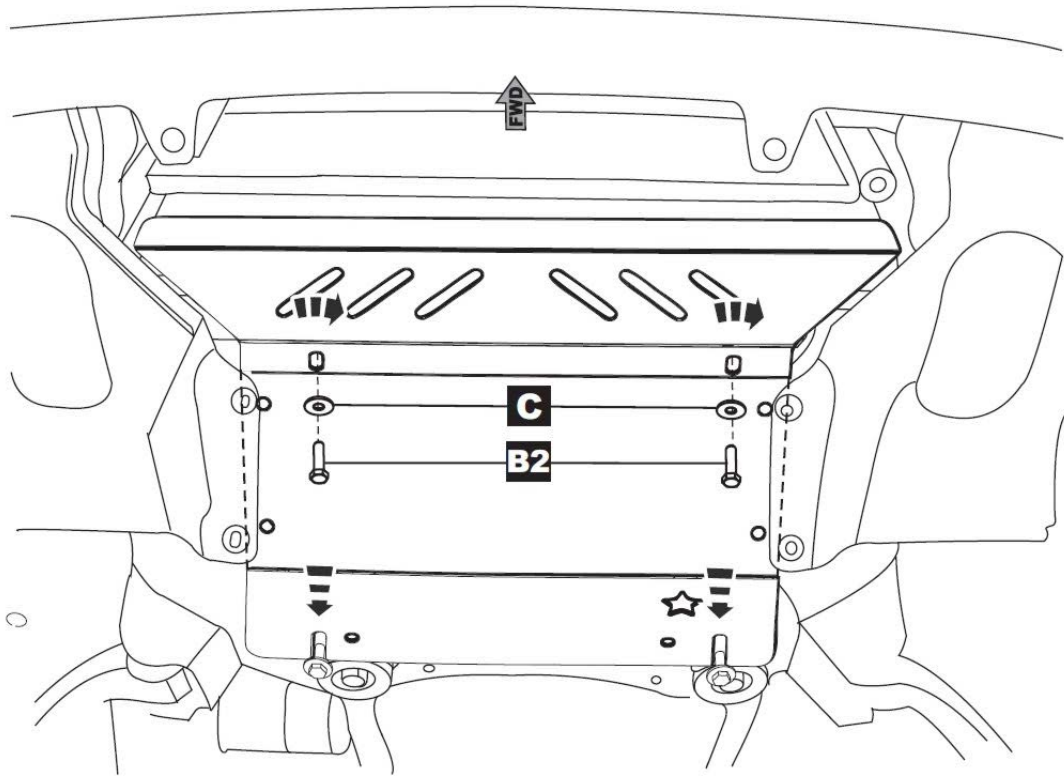
**2**



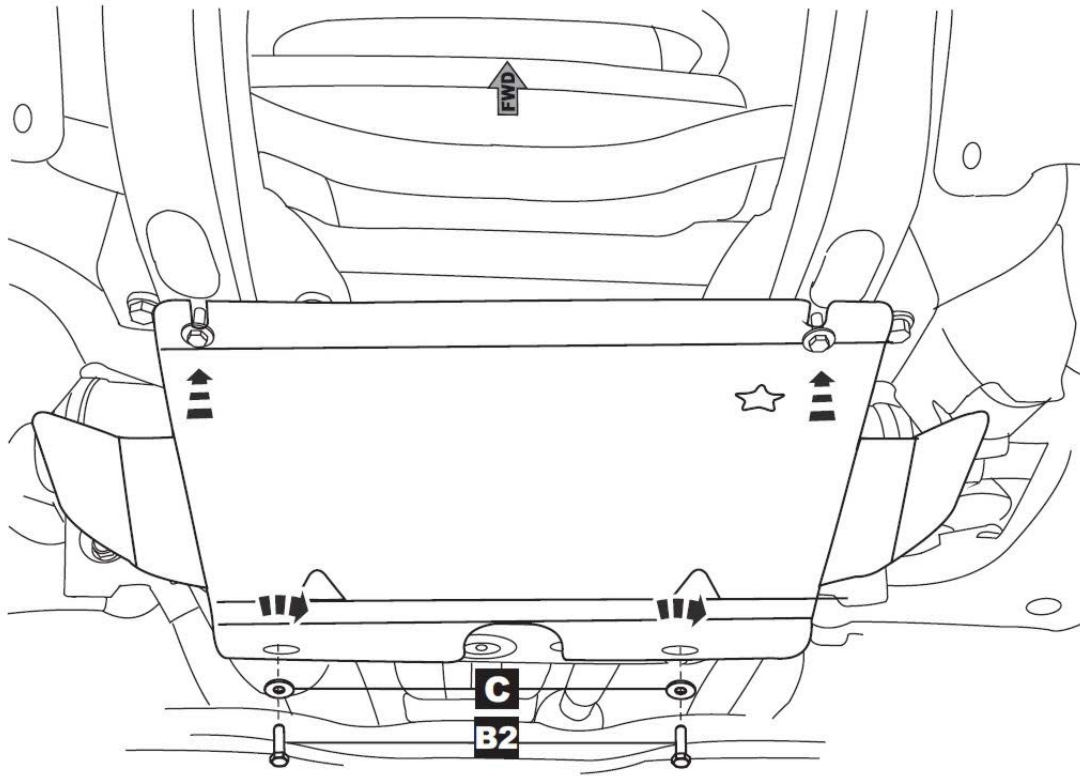
Part number:  
24.1157

Page:  
3/5

**3**



**4**



**5**

