

NISSAN Qashqai (2.0 AT)

2014

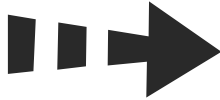
15.2622/15.2623

19/05/14

1/8



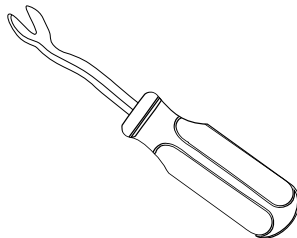
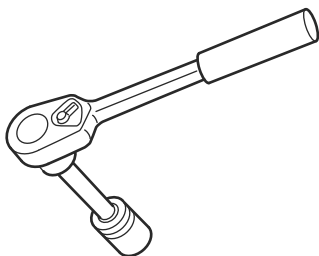
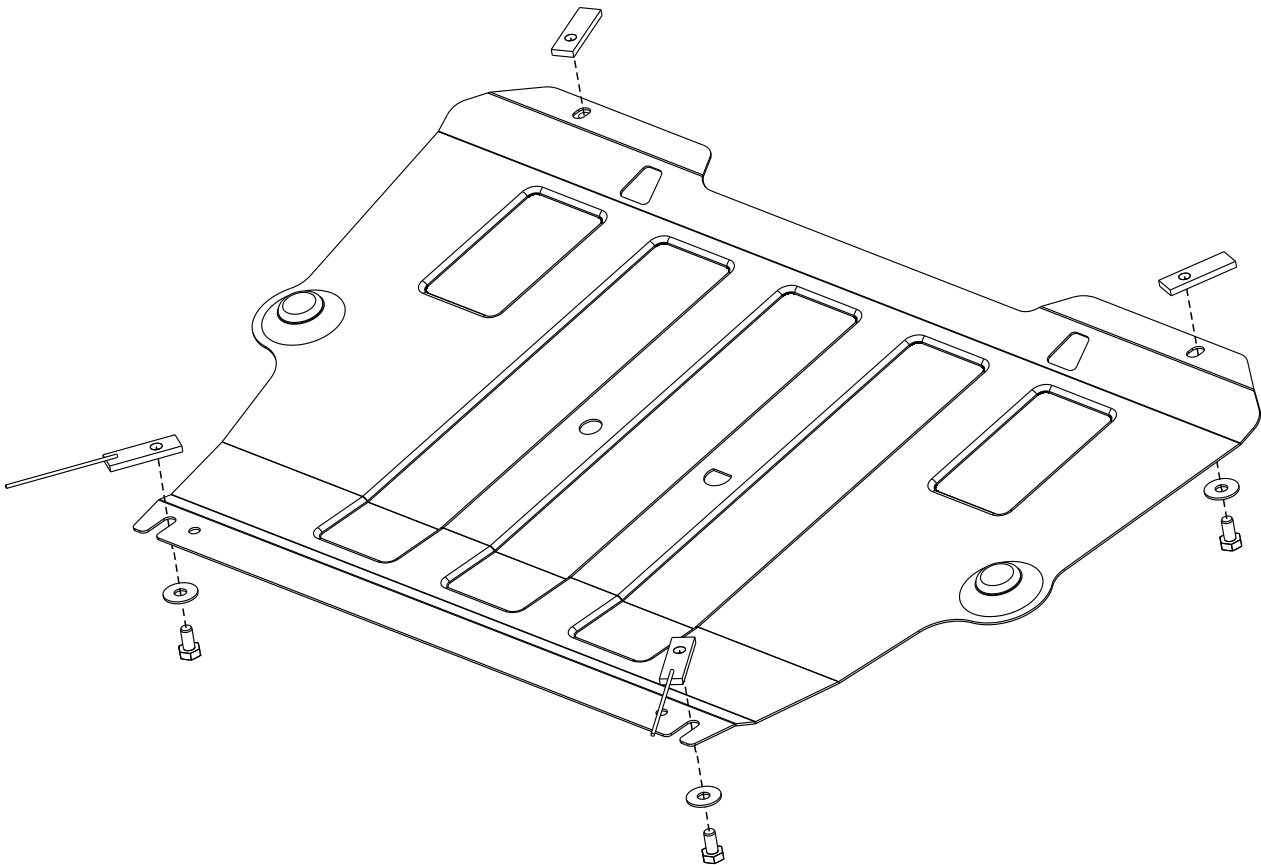
(GB) Location/Position Arrow

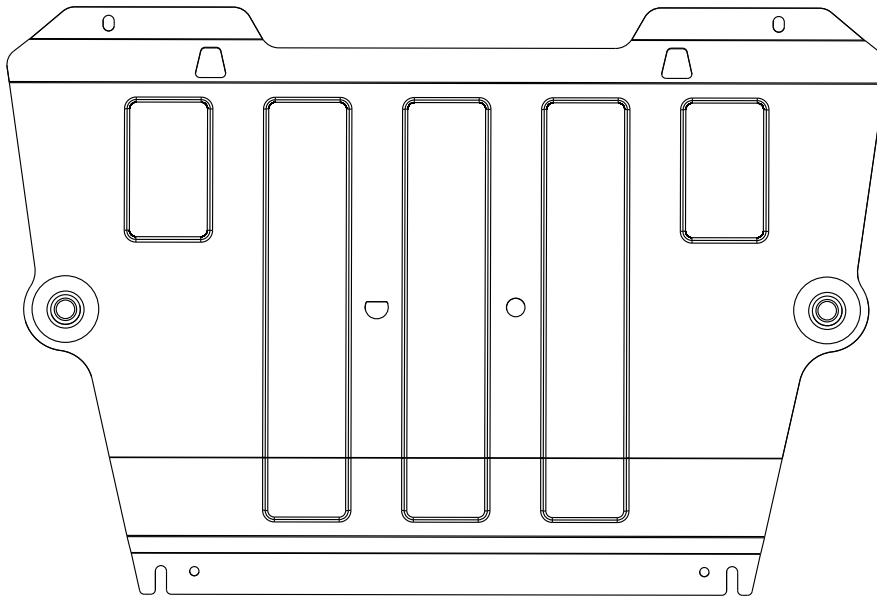


(GB) Movement Arrow

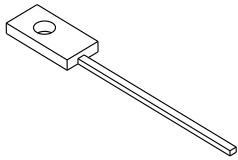


(GB) Screw Arrow

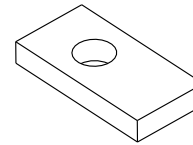


**A**

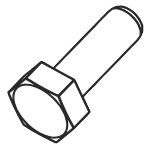
1X

**B**

2X

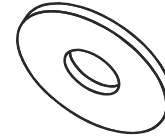
**C**

2X

**D**

M10x20

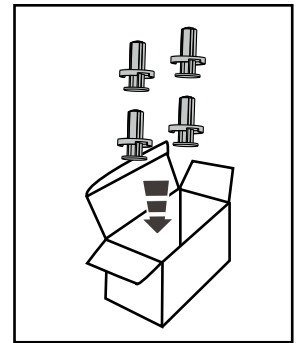
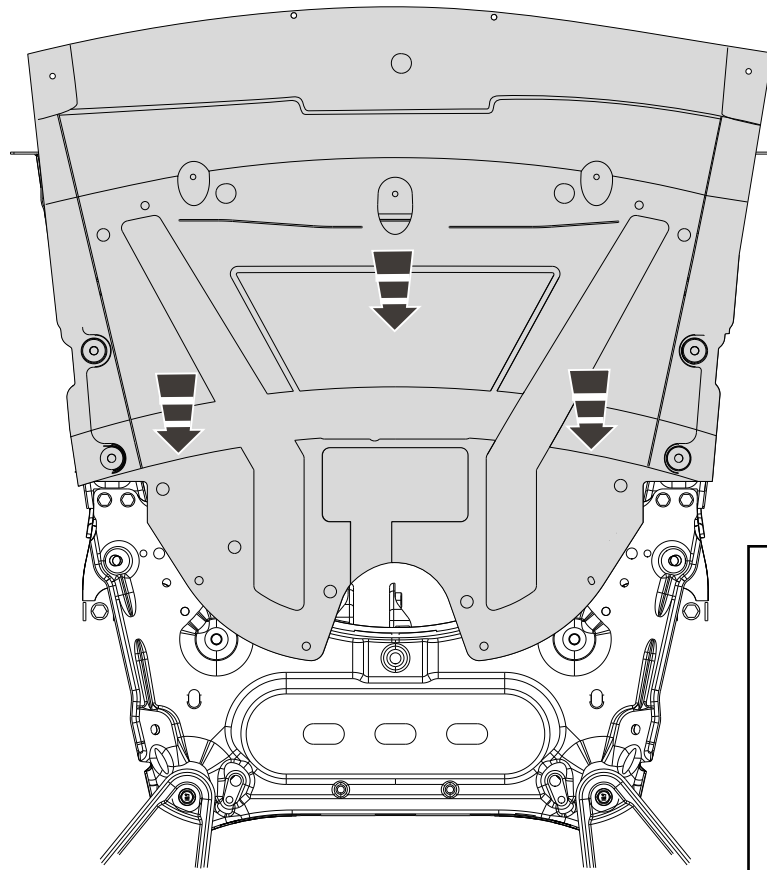
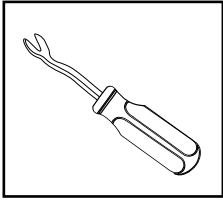
4X

**E**

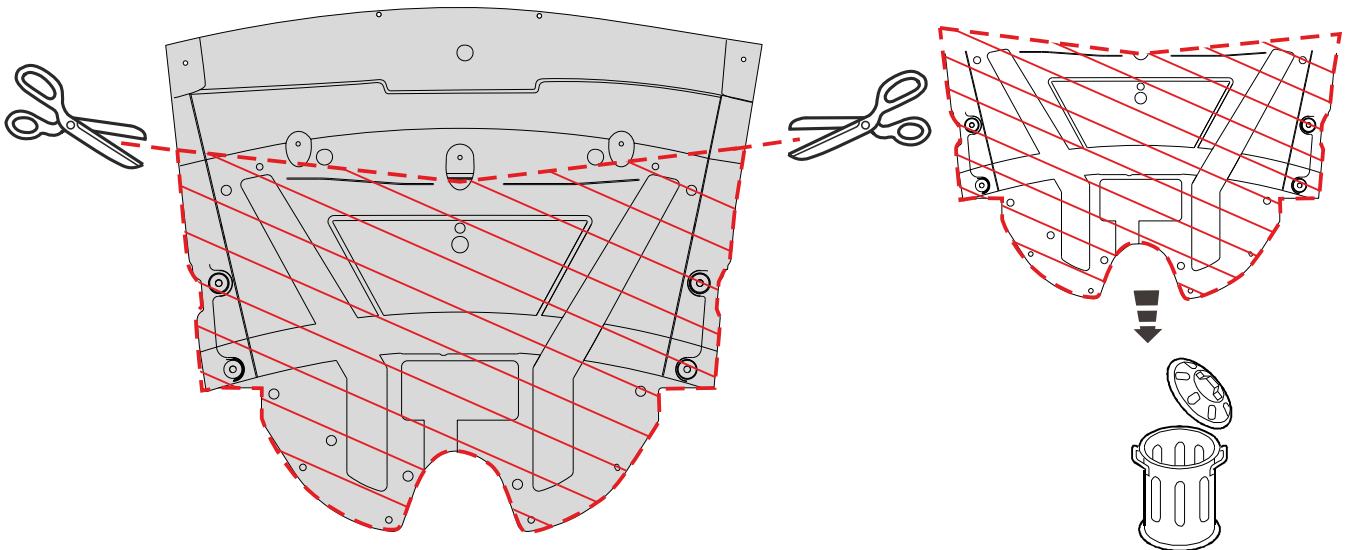
Ø 10

4X

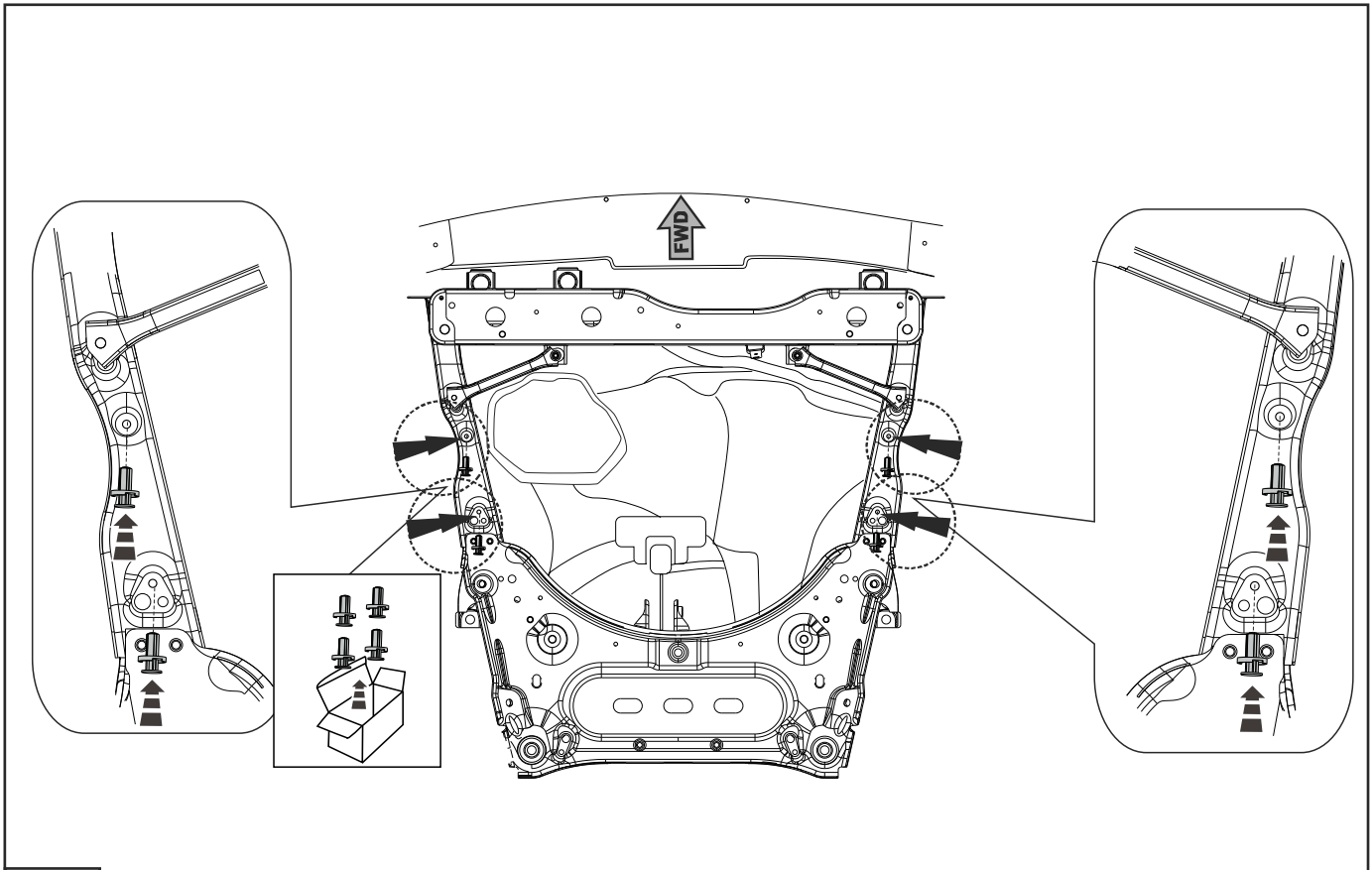




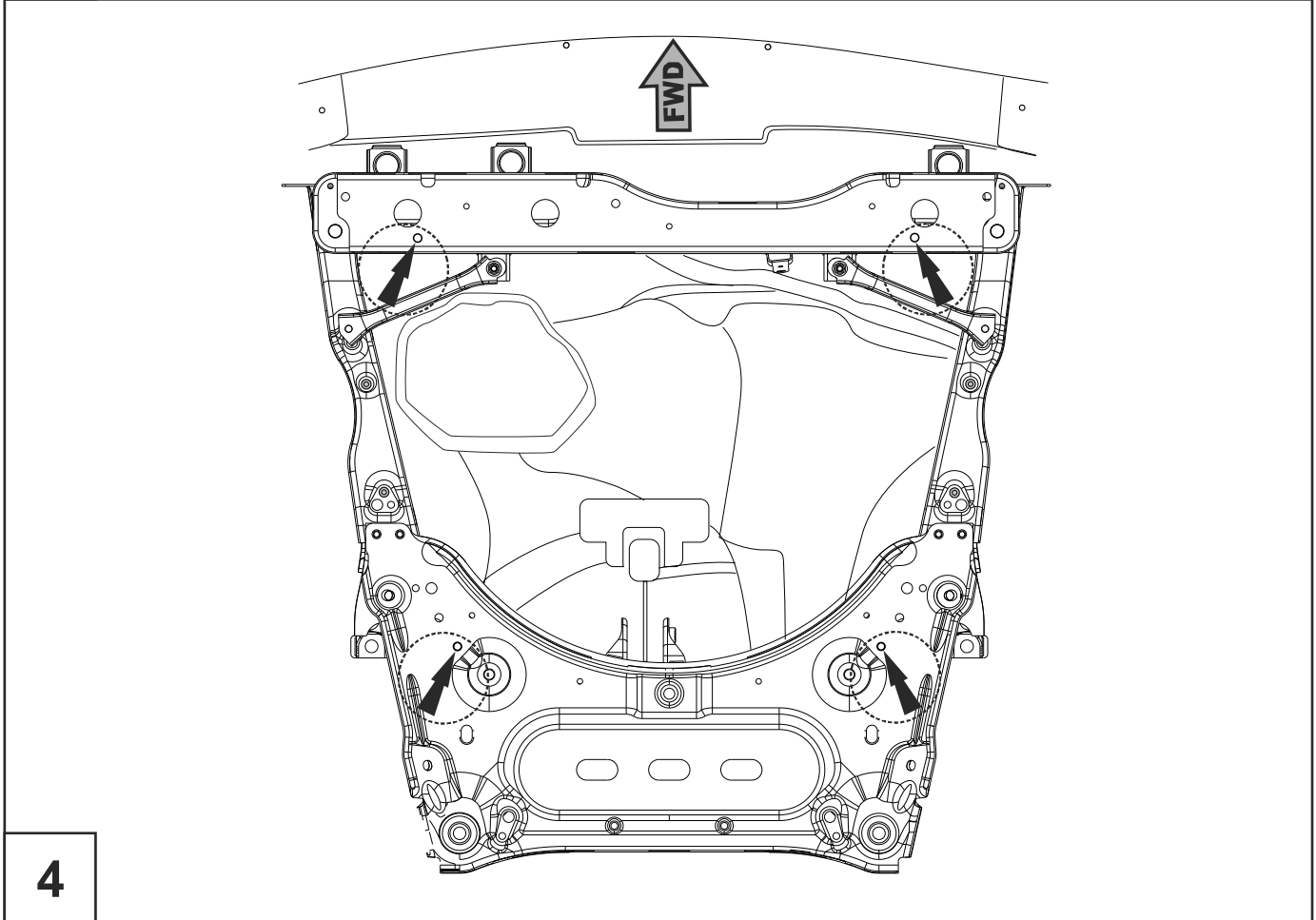
1



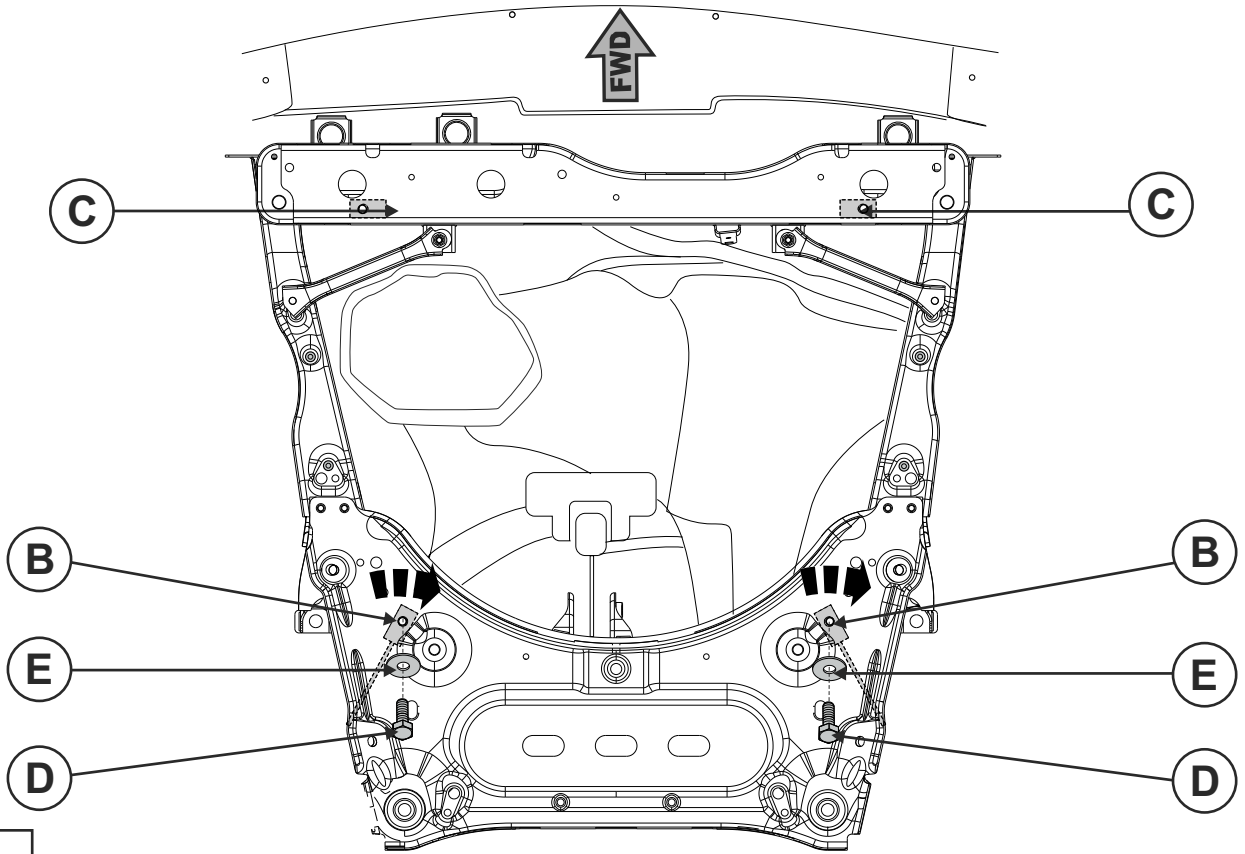
2



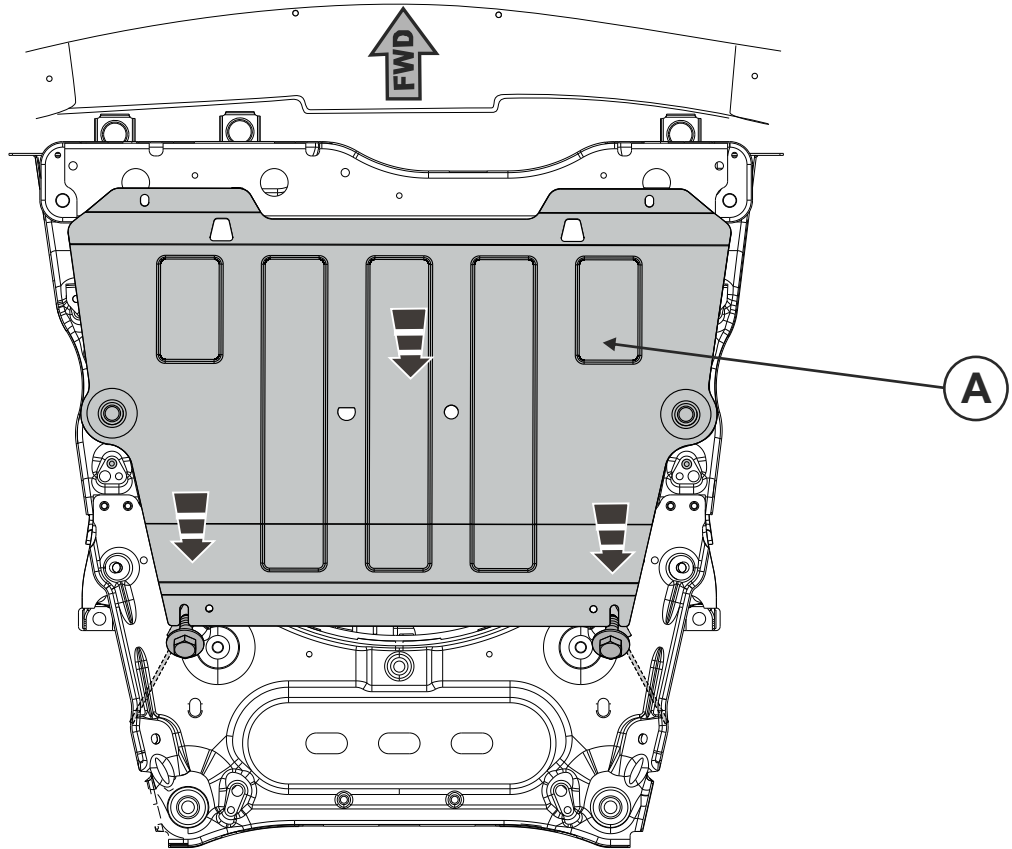
3



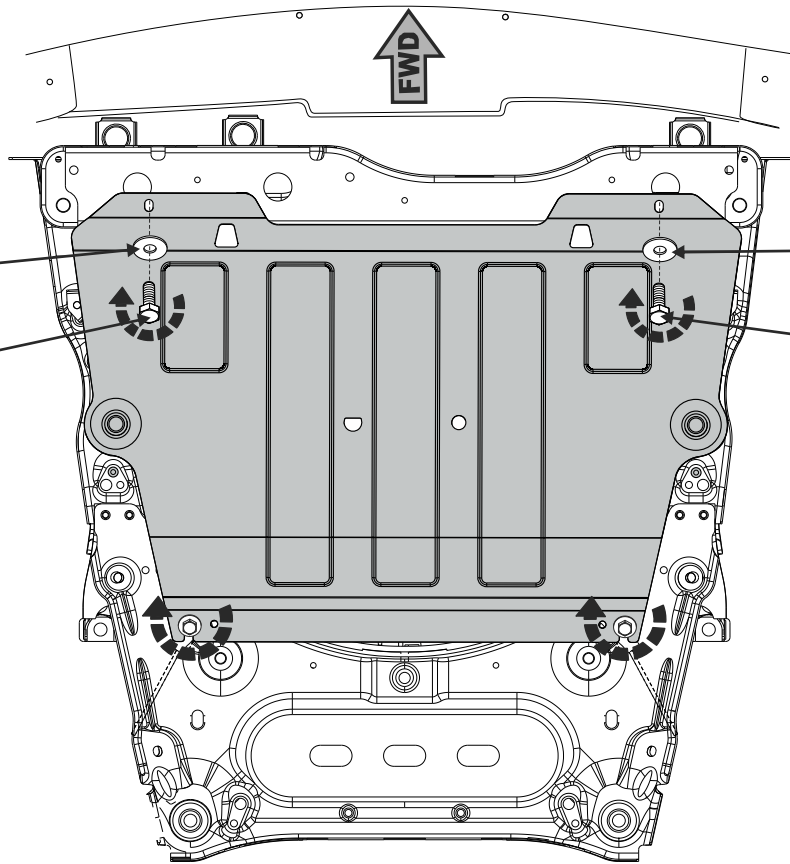
4



5



6

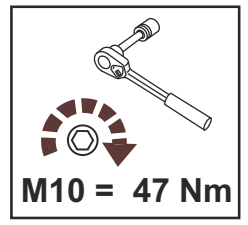


E

D

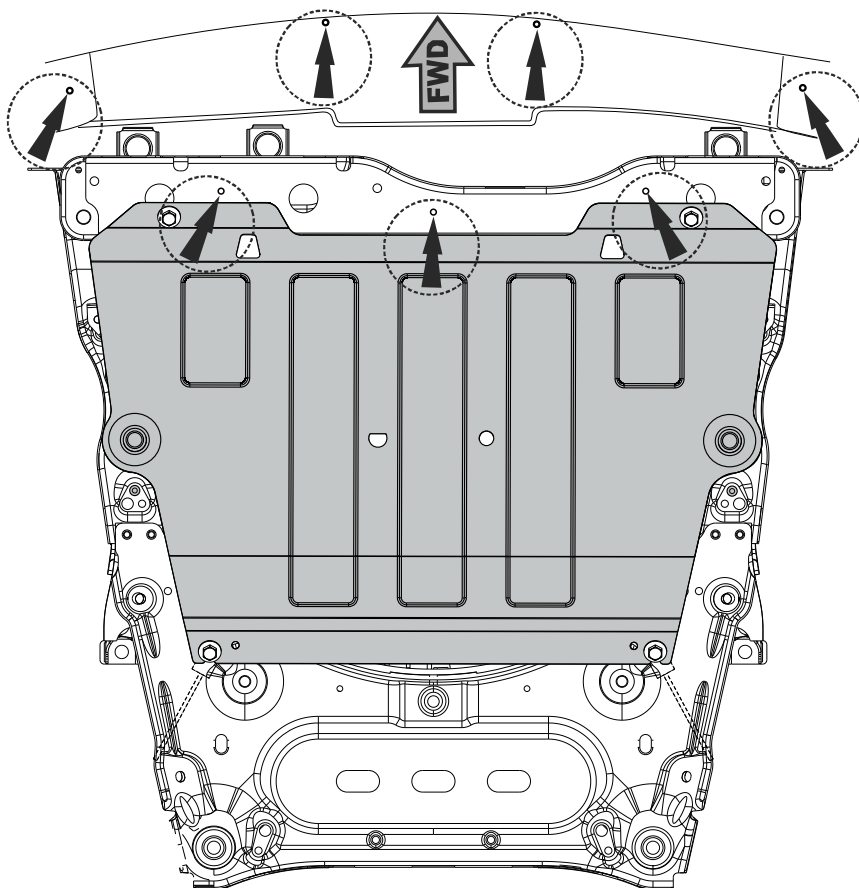
E

D

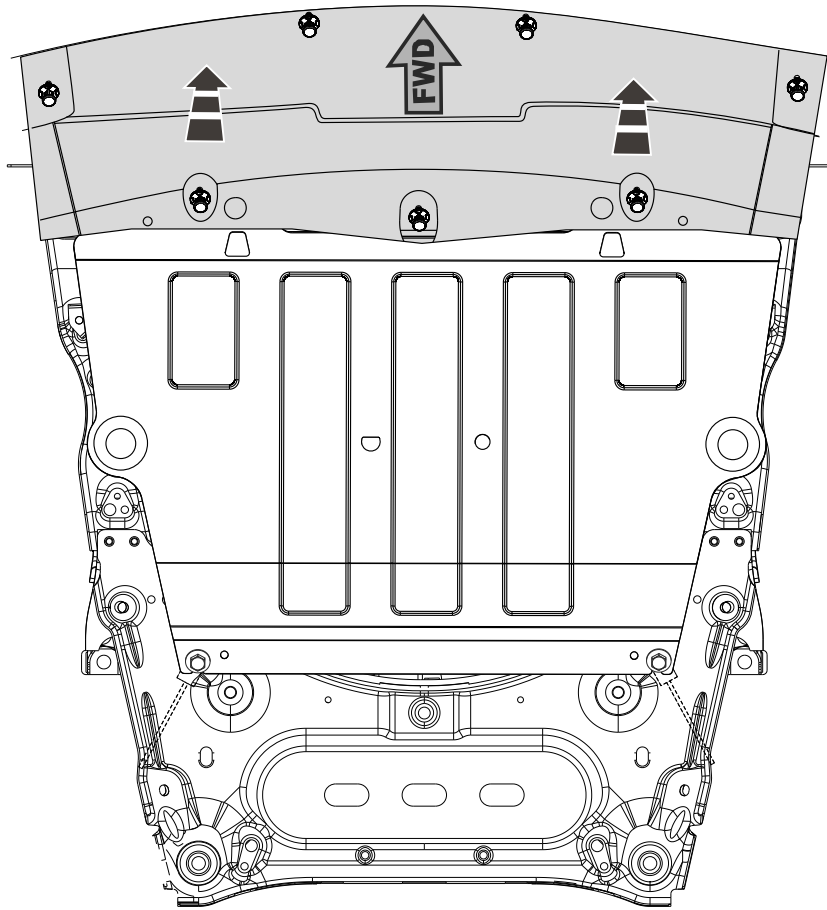


M10 = 47 Nm

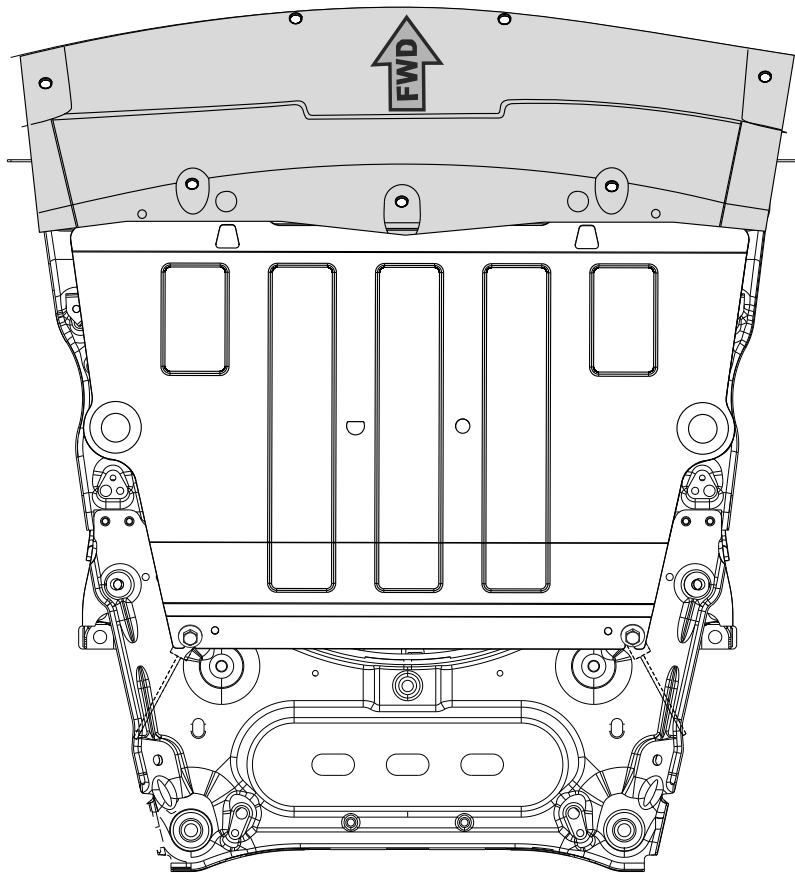
7



8



9



10