

**NISSAN Qashqai** (2.0 AT)

**2014**

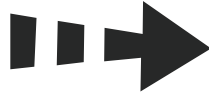
15.2471

19/05/14

1/8



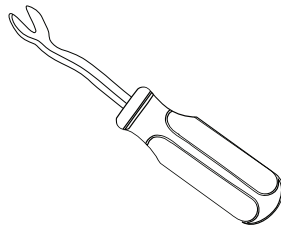
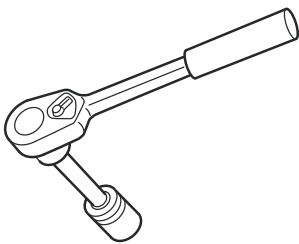
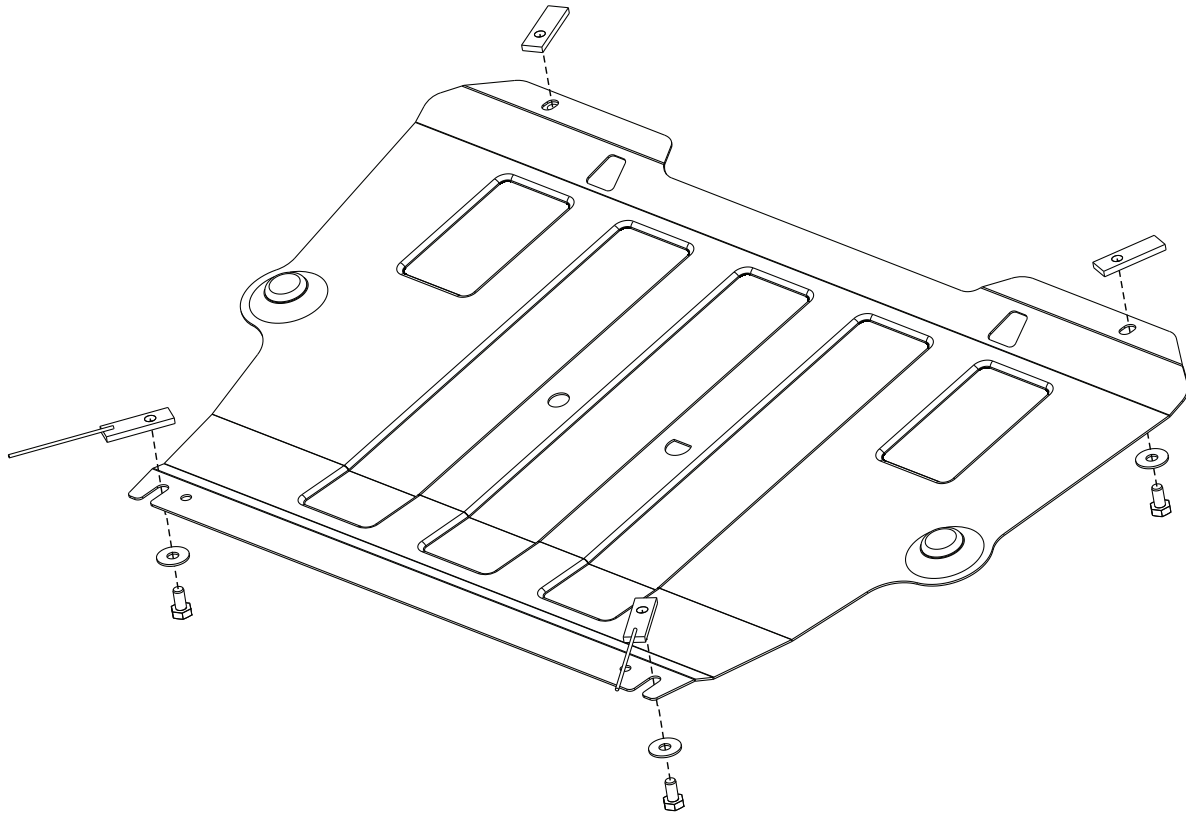
**GB** Location/Position Arrow



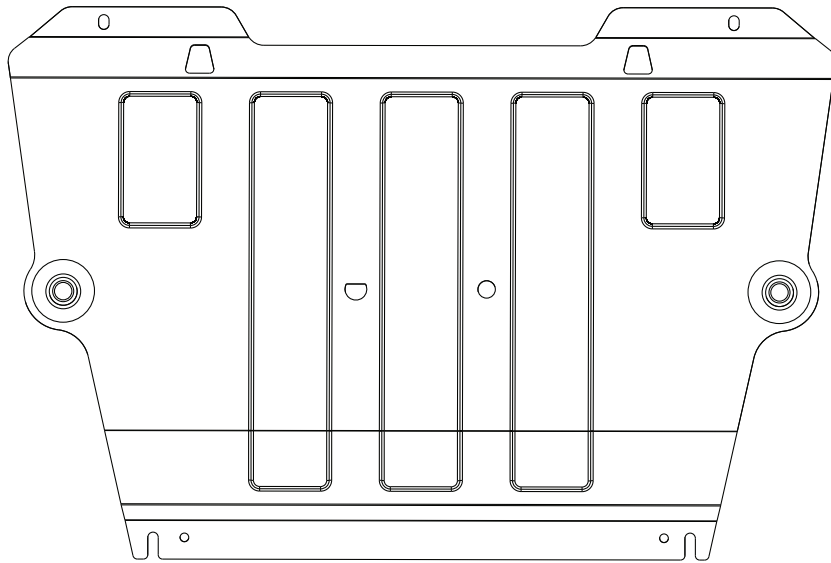
**GB** Movement Arrow



**GB** Screw Arrow

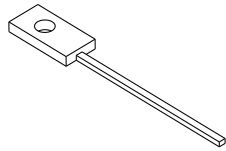


**A**



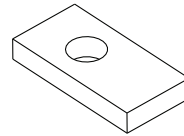
1X

**B**



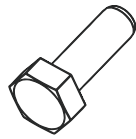
2X

**C**



2X

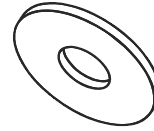
**D**



M10x20

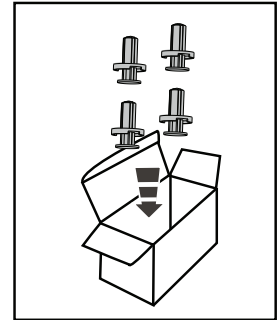
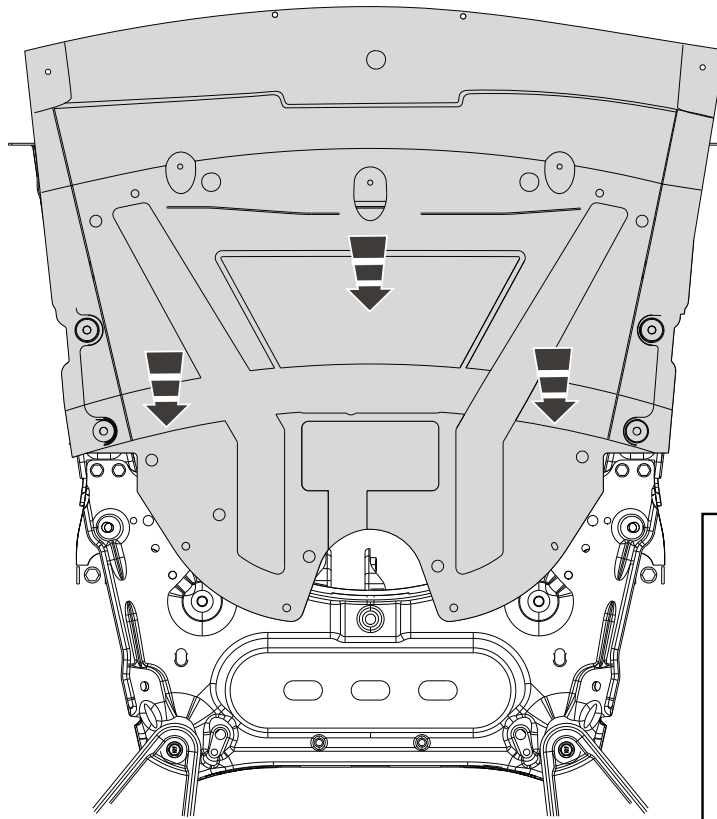
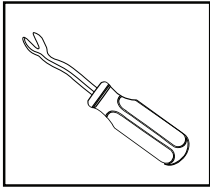
4X

**E**

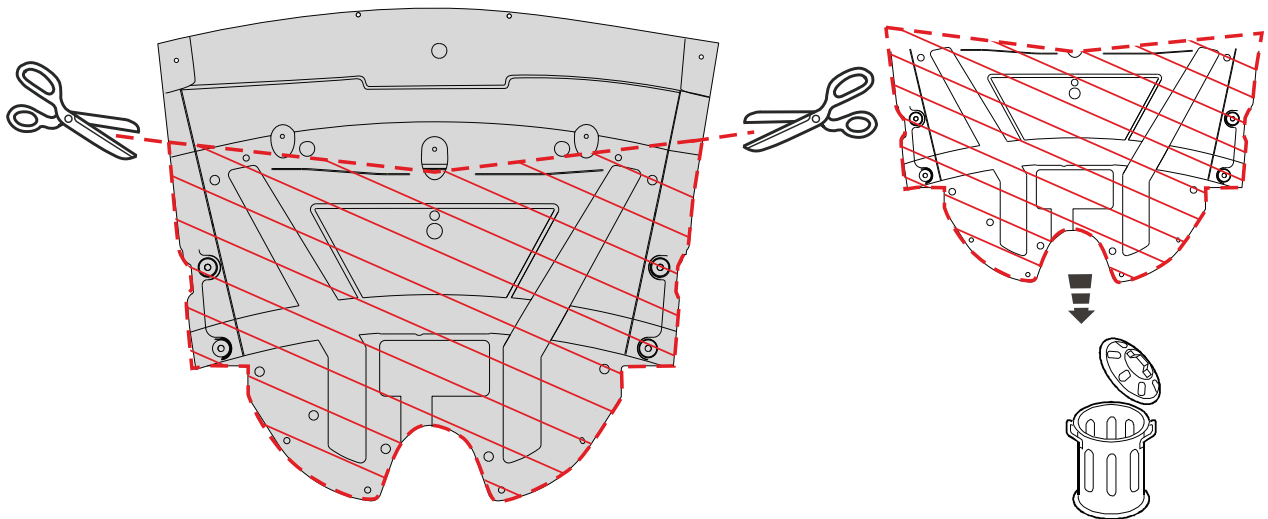


∅ 10

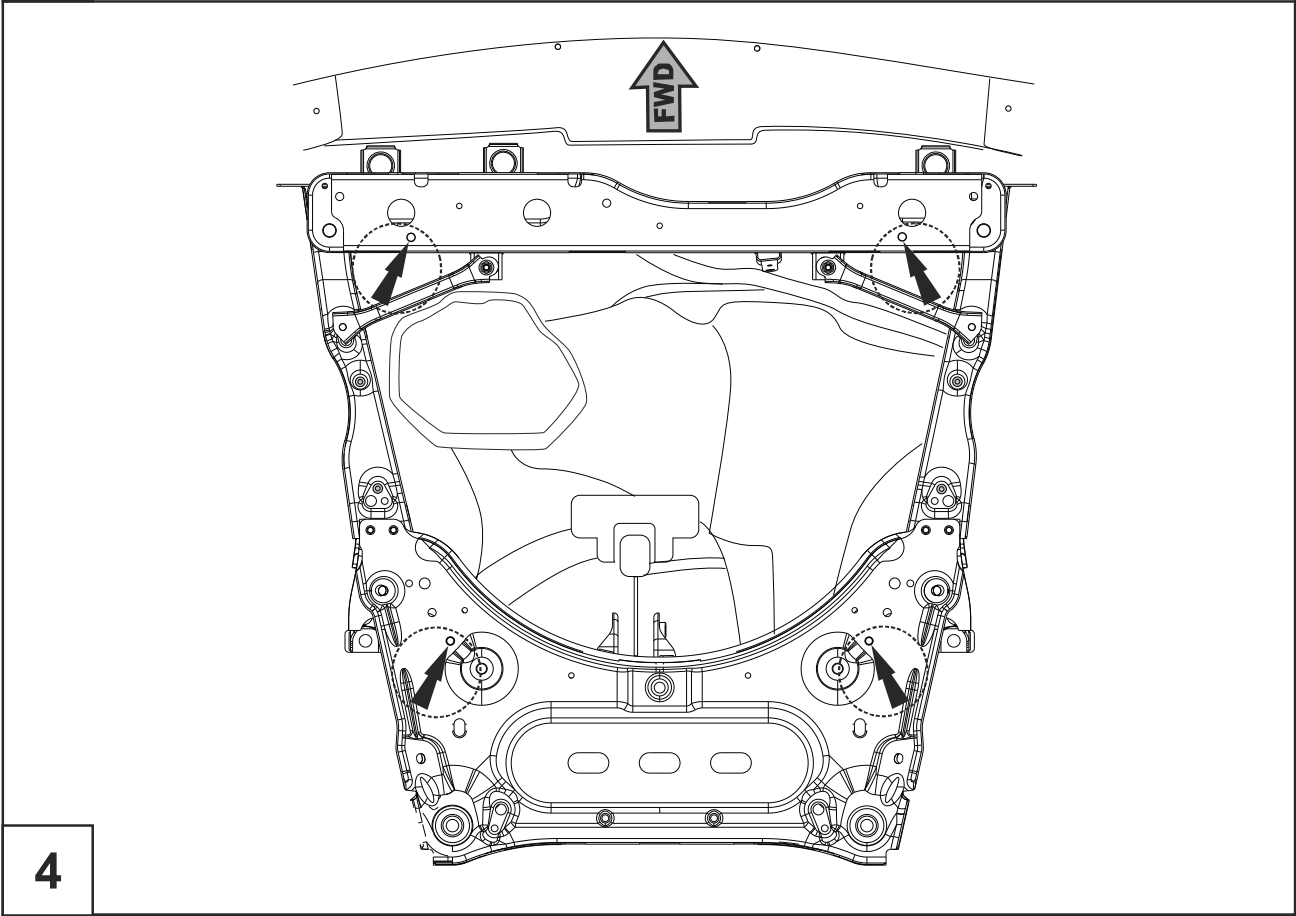
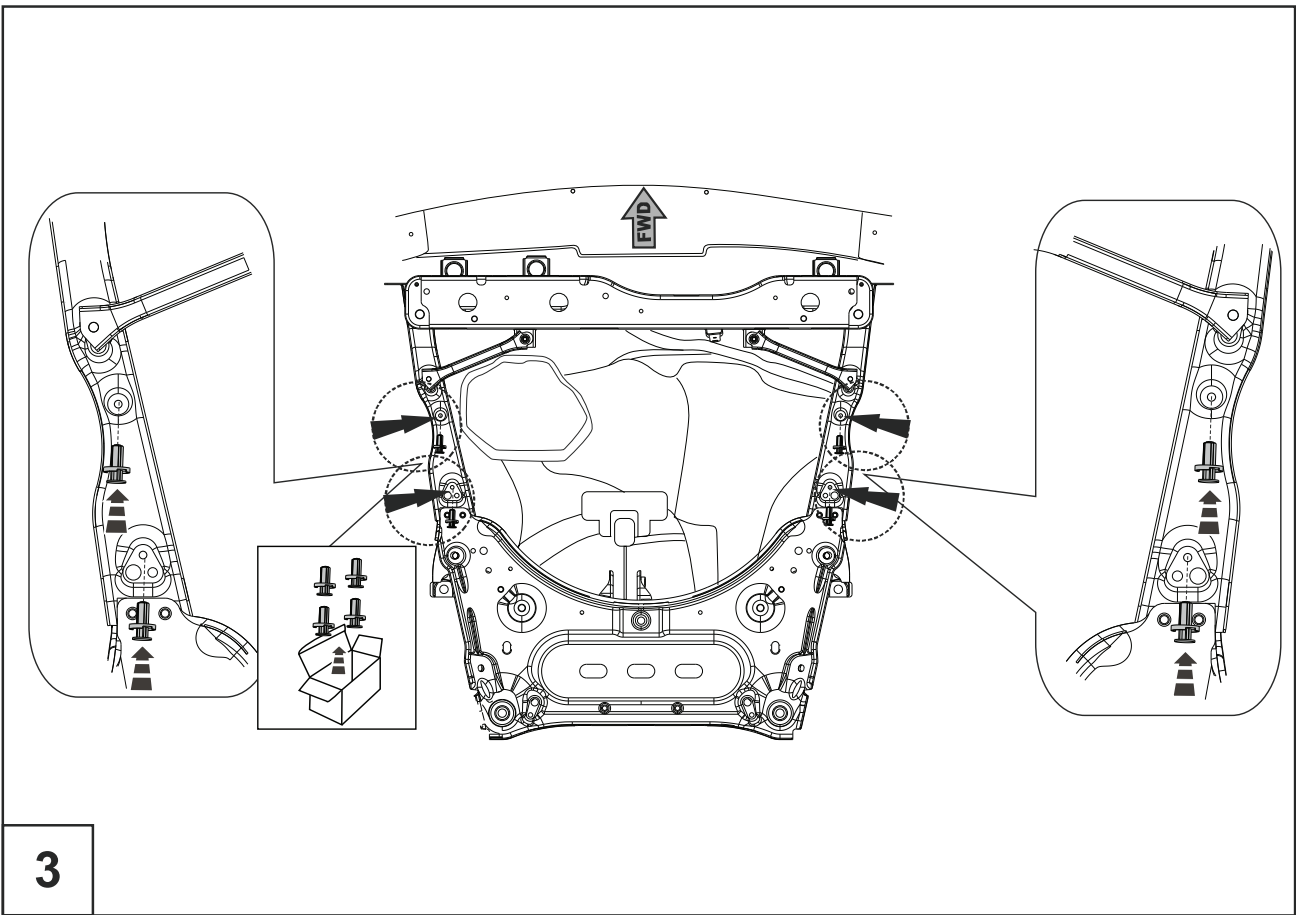
4X

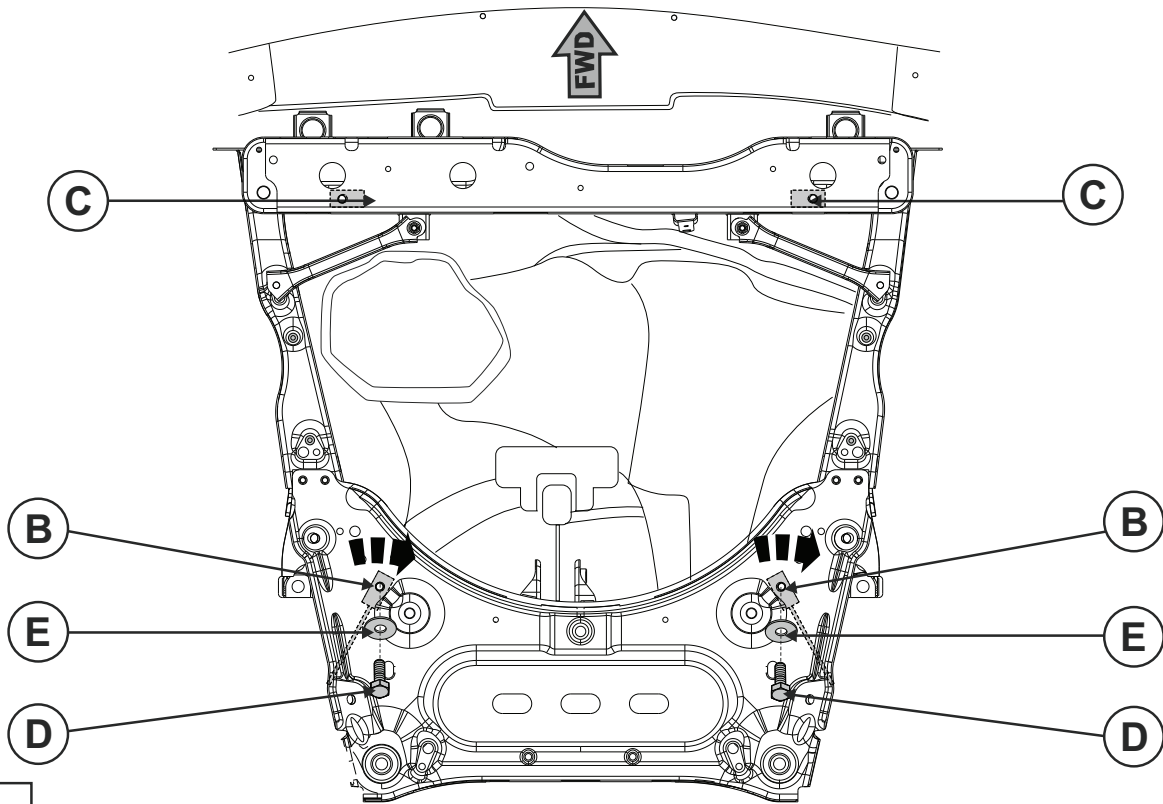


1

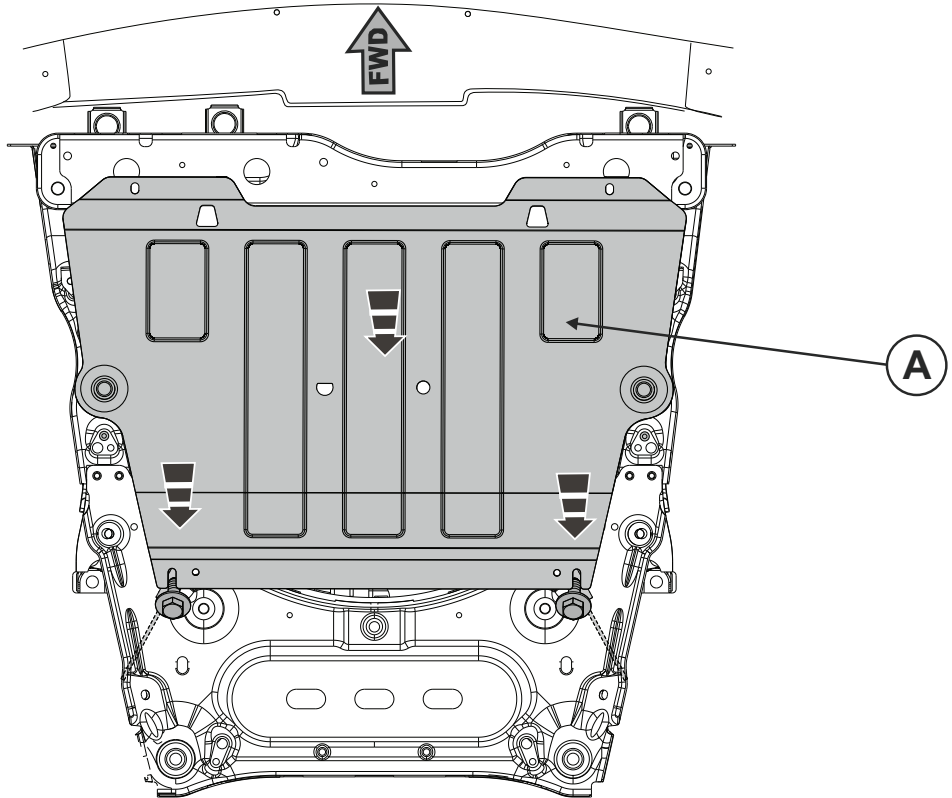


2

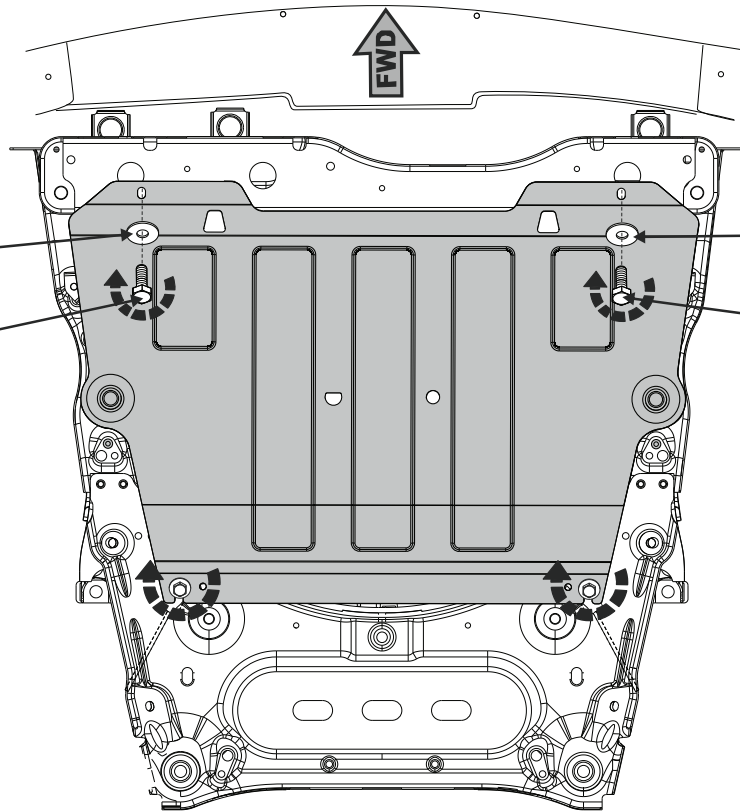
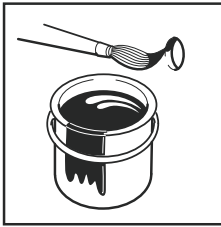




5



6



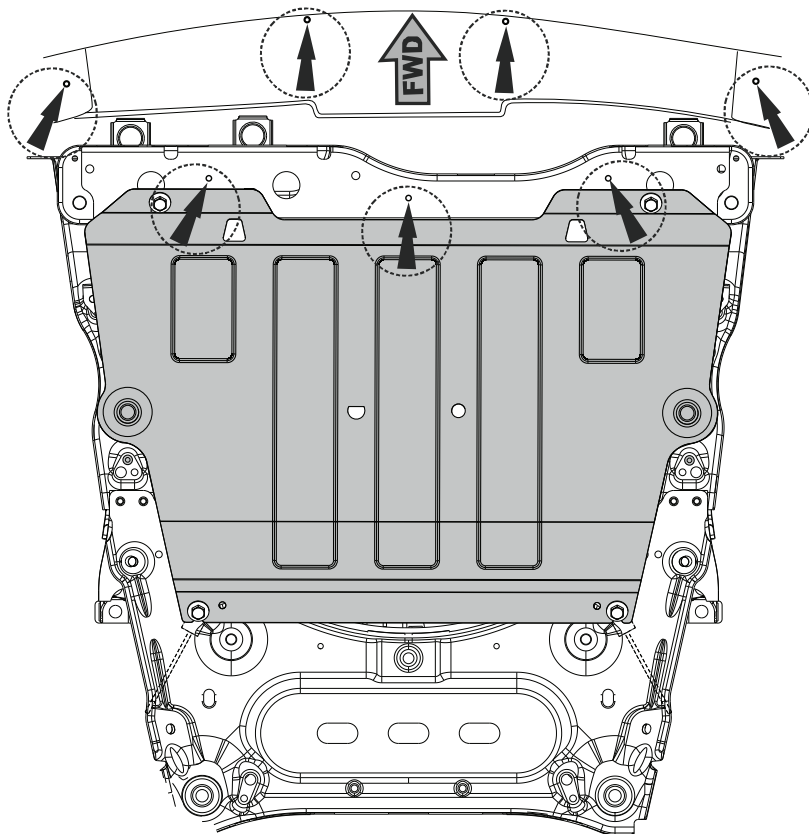
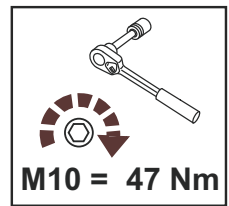
E

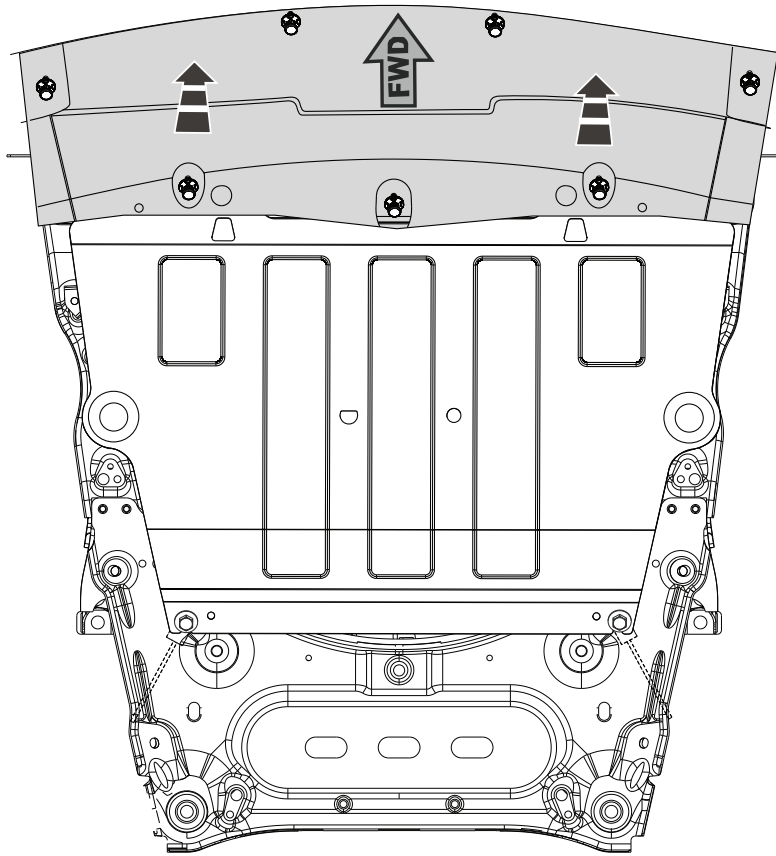
D

E

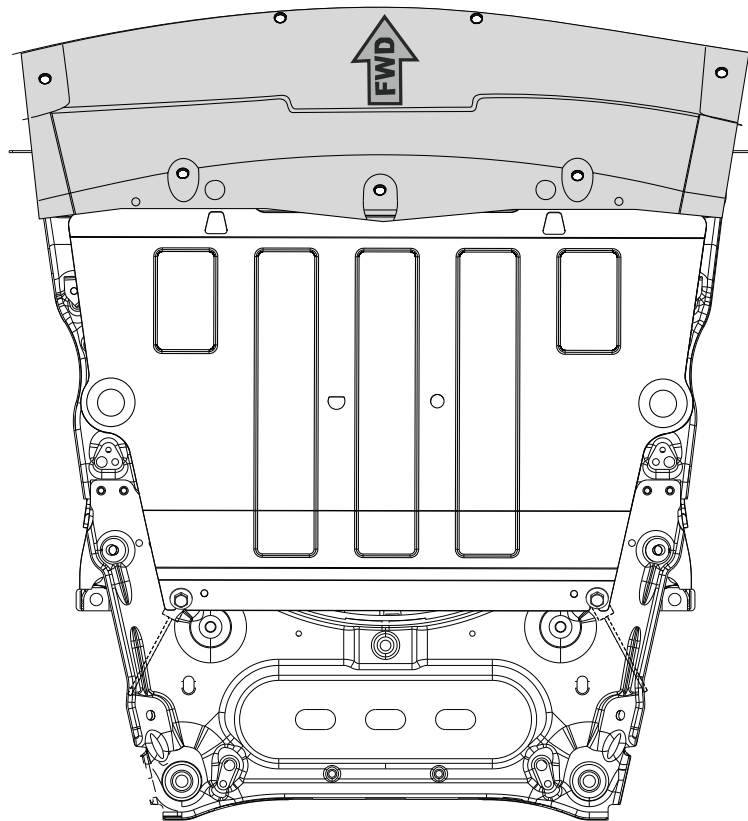
D

7





9



10