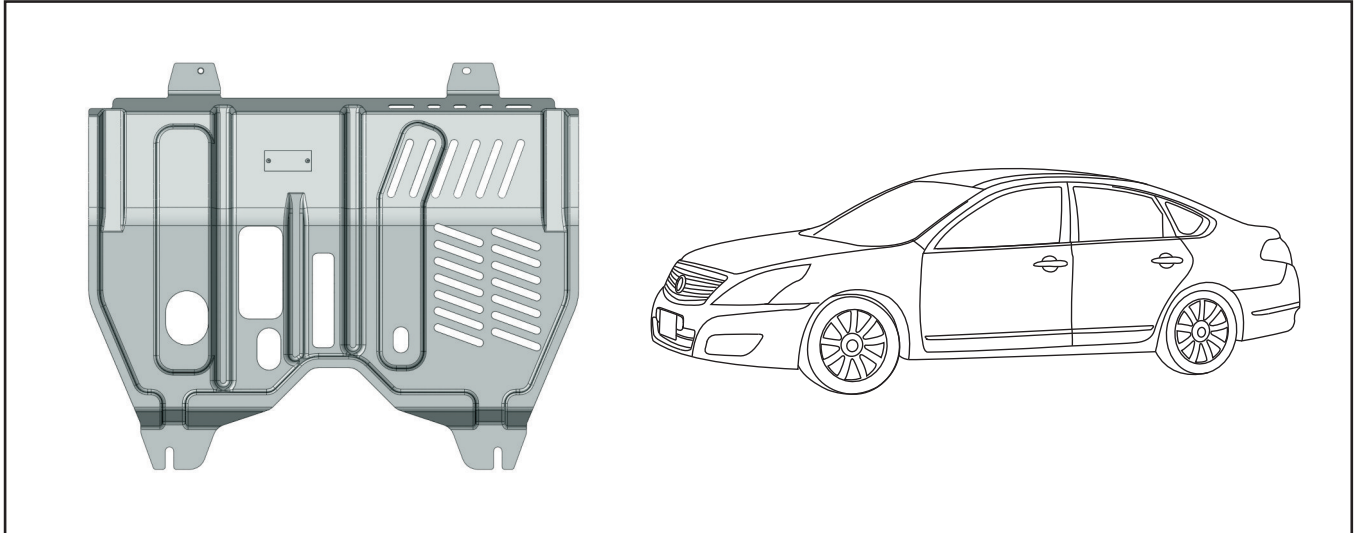


PART NUMBER

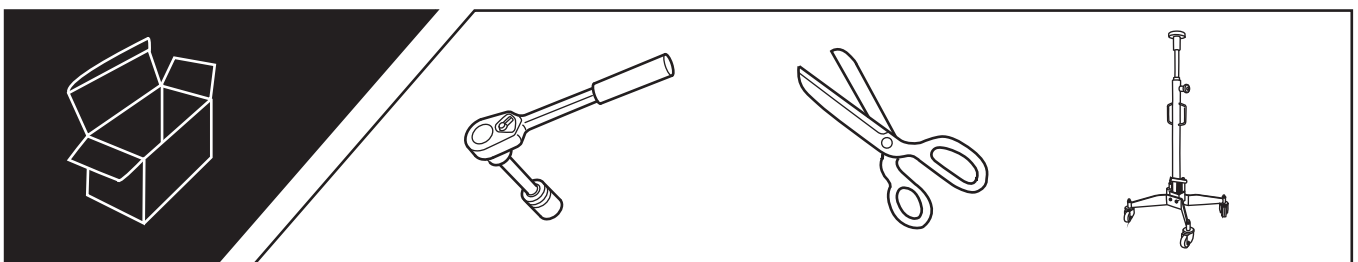
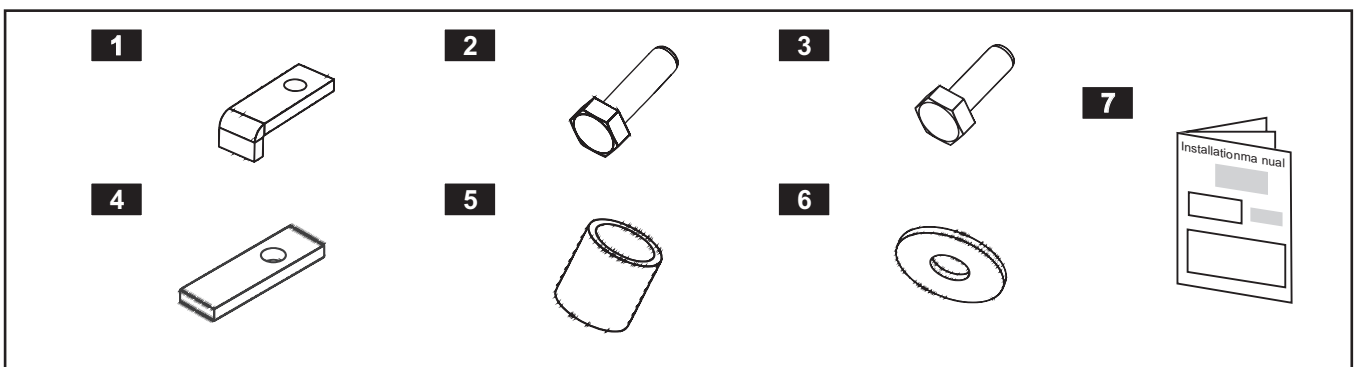
15.1603 V1

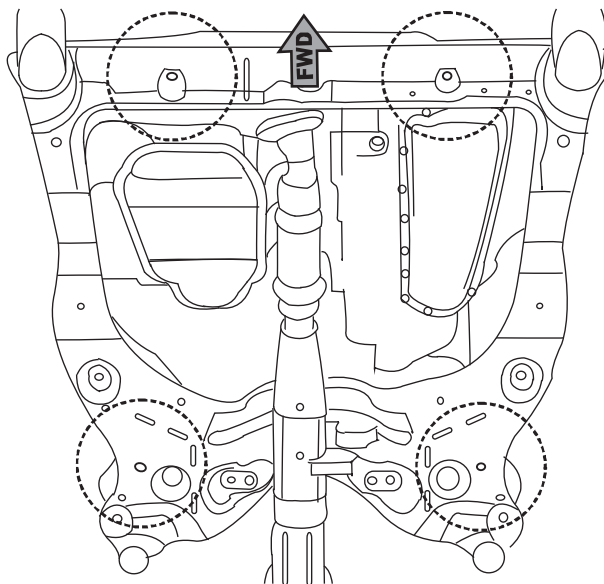
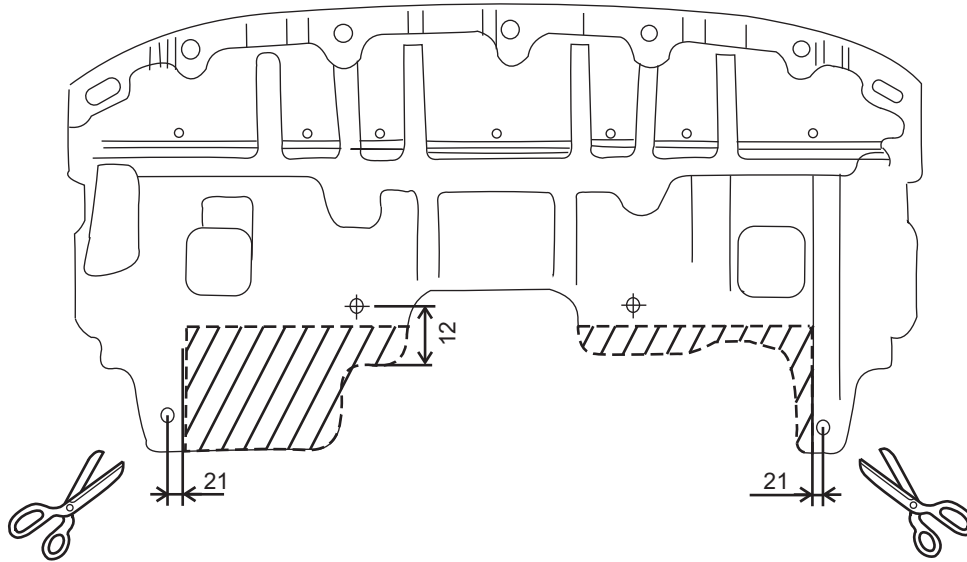
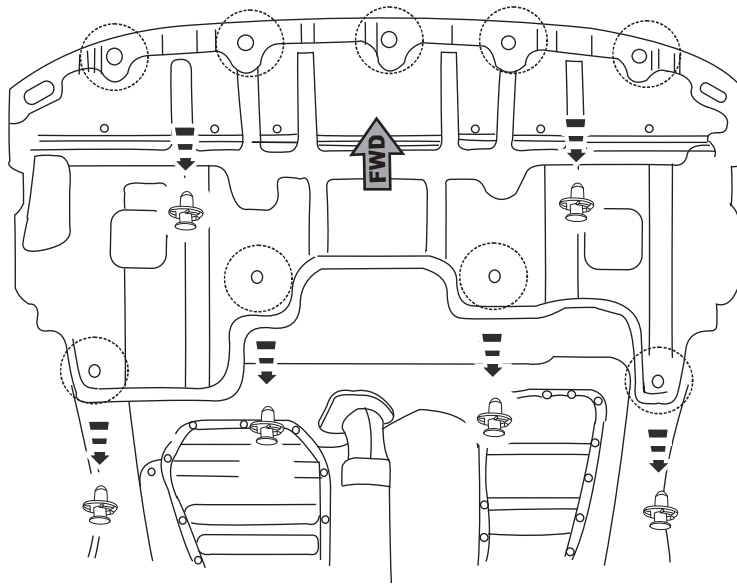
(GB) Under body protector



(GB) LIST OF PARTS

NO.	PART NAME	QTY.
1	Bent bracket	2
2	Bolt 10x100	4
3	Bolt 10x80	2
4	Bracket	2
5	Bushing	2
6	Washer	4
7	Installation manual	1





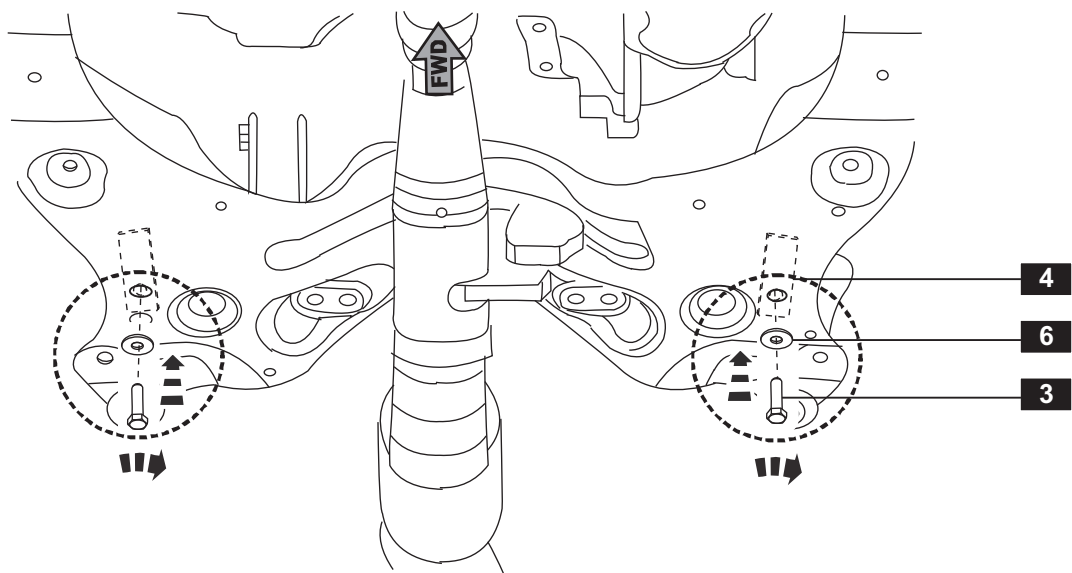


Fig.4

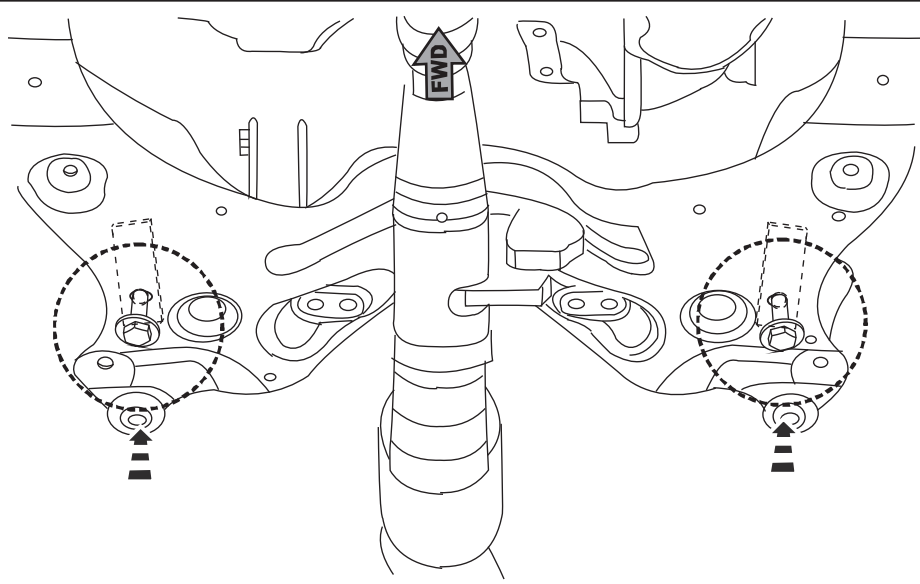


Fig.5

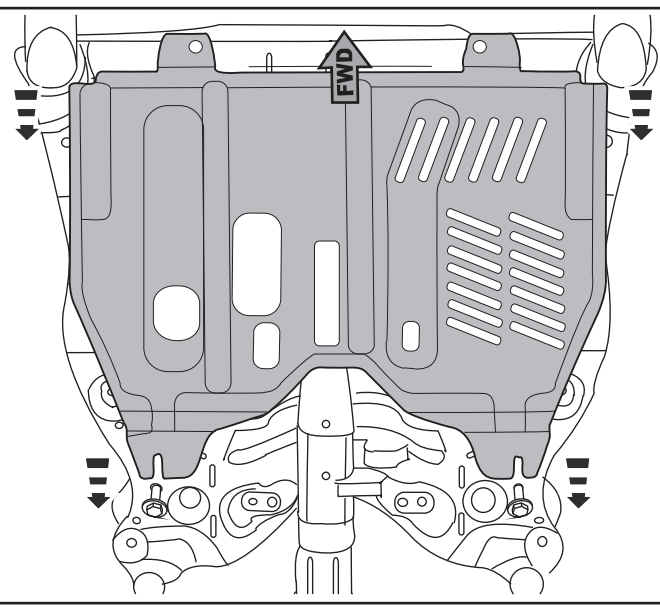


Fig.6

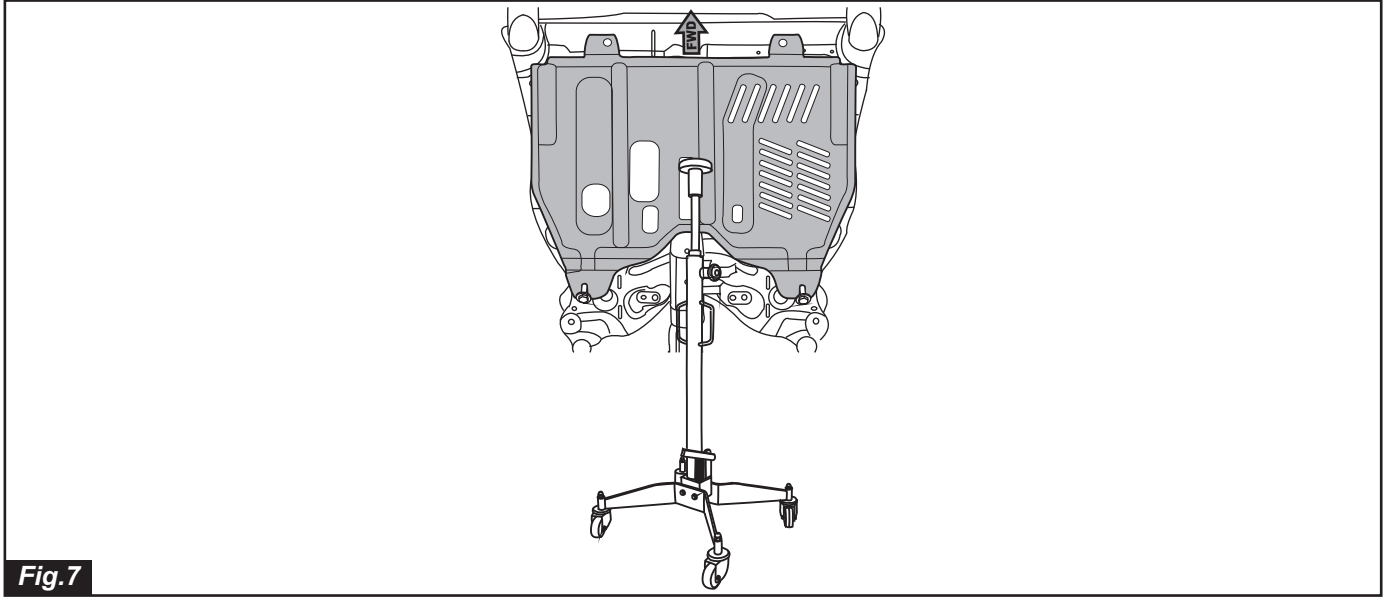


Fig.7

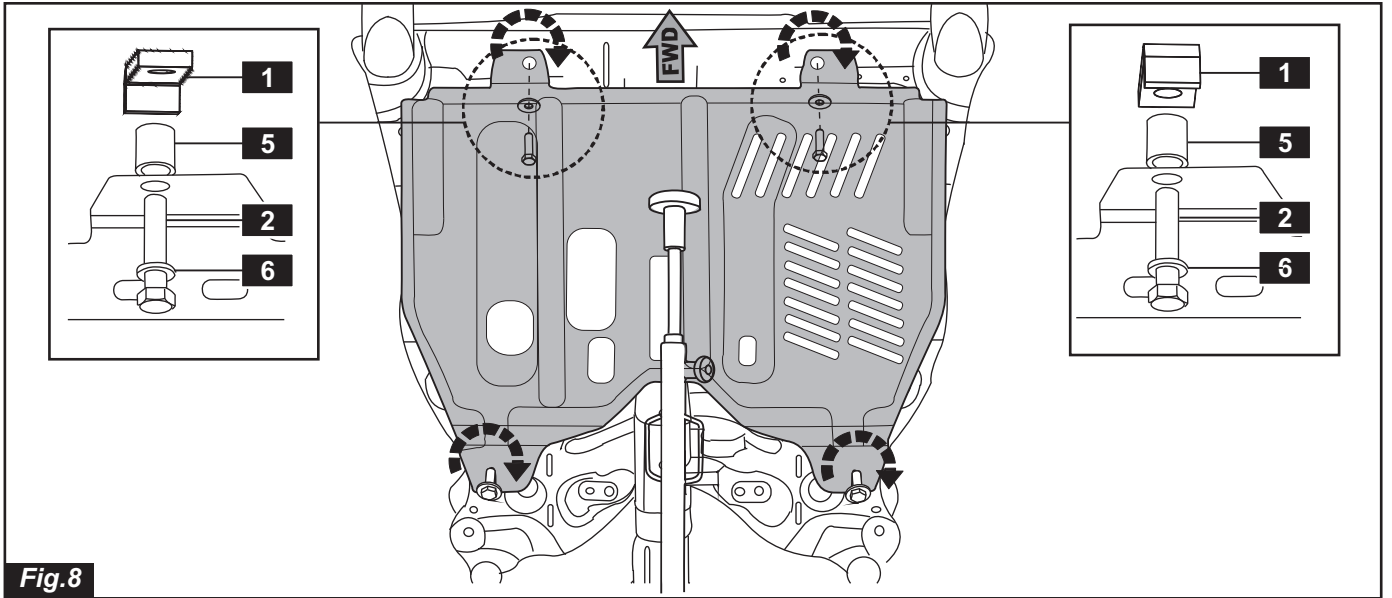


Fig.8

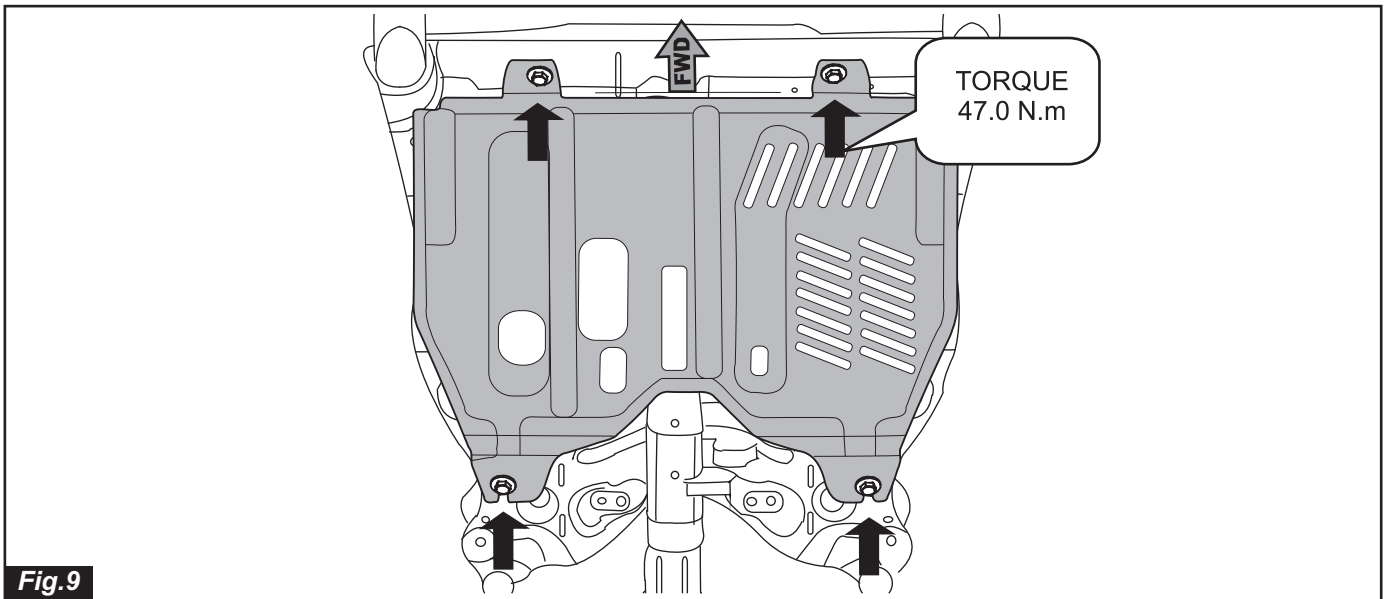


Fig.9

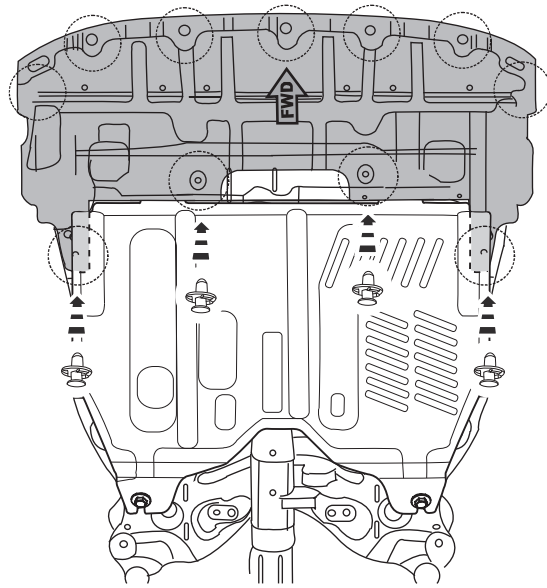


Fig.10

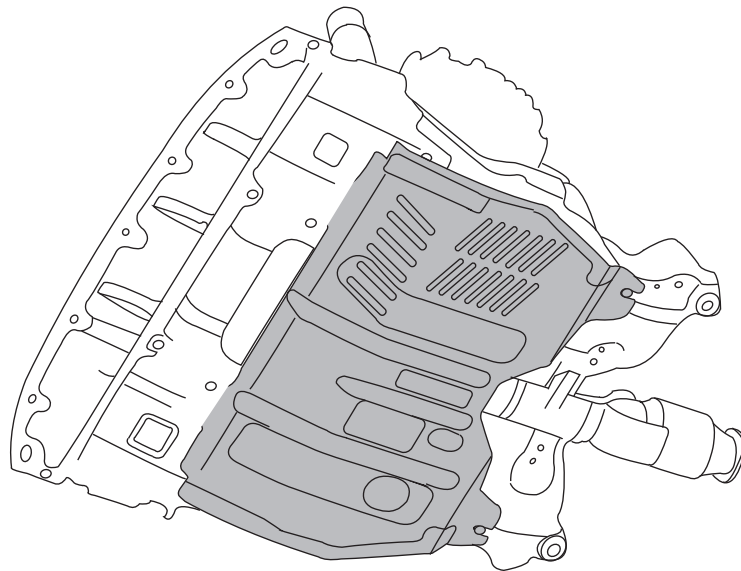


Fig.11