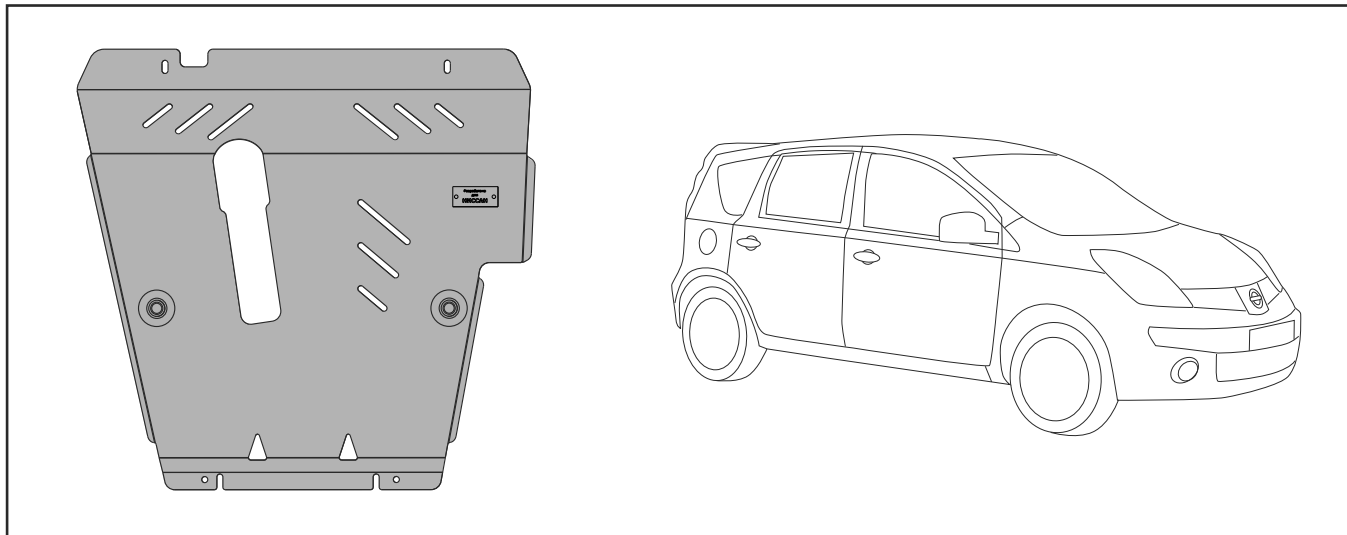


Note 2005 -

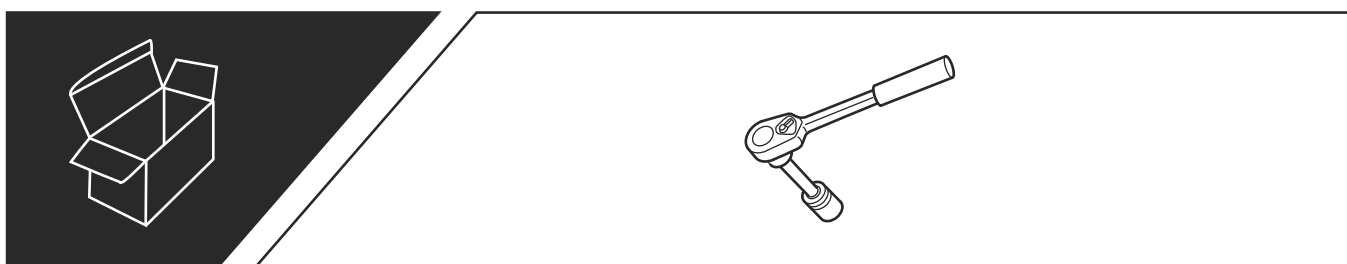
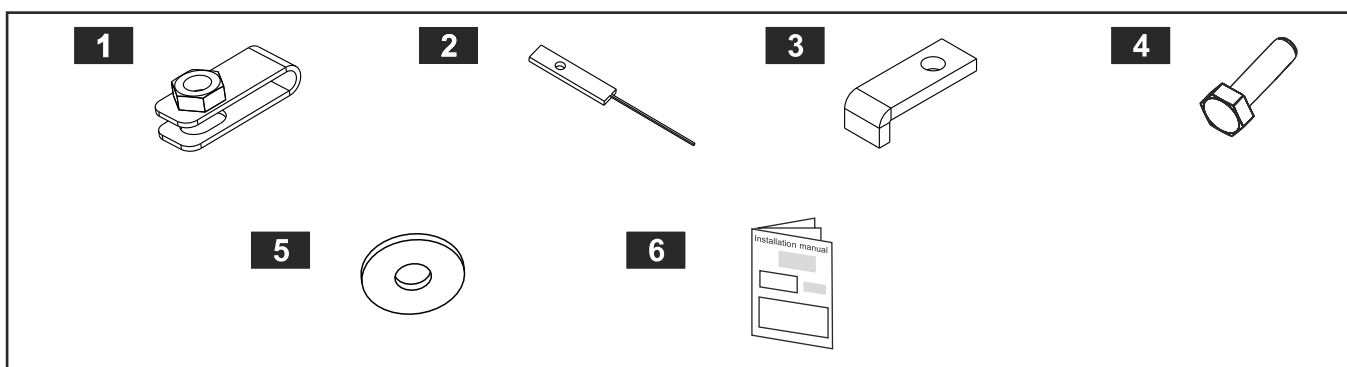
**GB** Under body protector

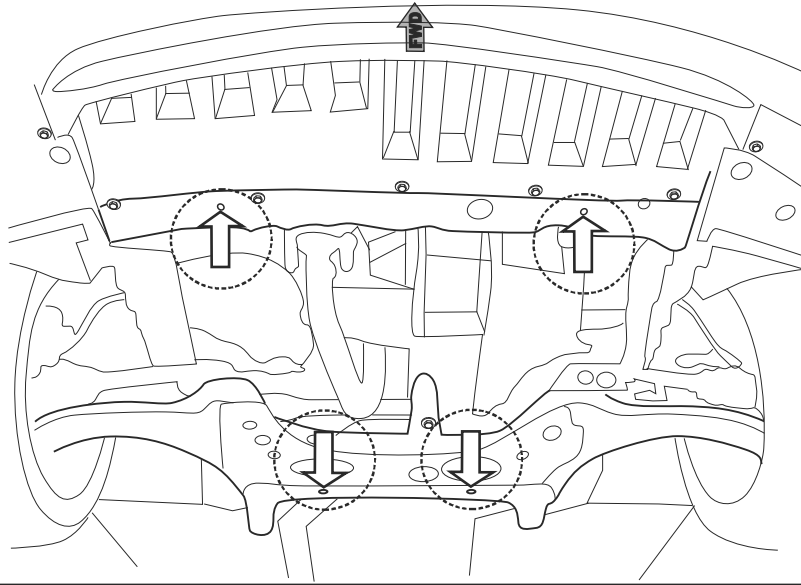
**RU** Защита картера



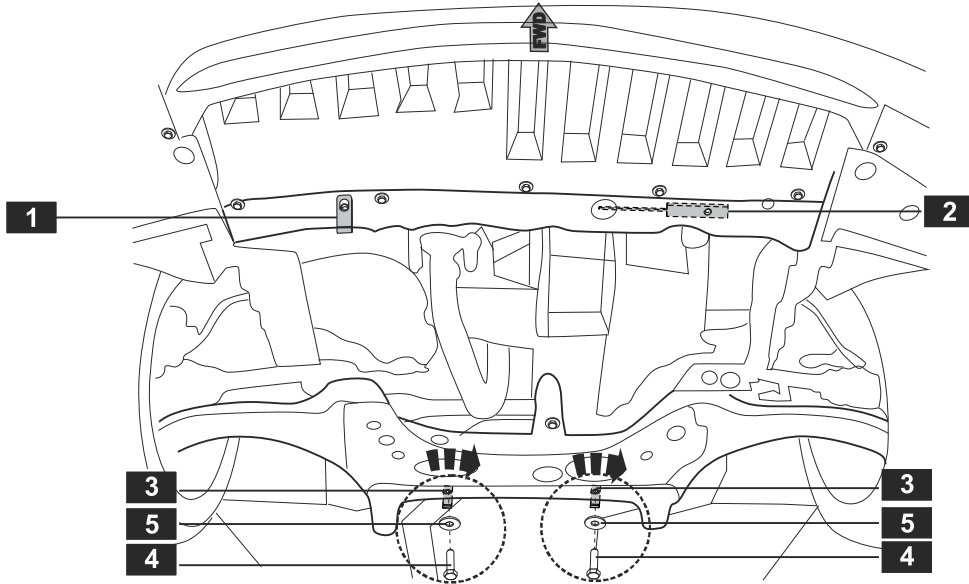
## **GB** LIST OF PARTS

<b>NO.</b>	<b>NAME</b>	<b>QTY.</b>
<b>1</b>	Clip	1
<b>2</b>	Threaded insert with tail	1
<b>3</b>	Threaded insert	2
<b>4</b>	Bolt M10x30	4
<b>5</b>	Washer 10	4
<b>6</b>	Installation manual	1

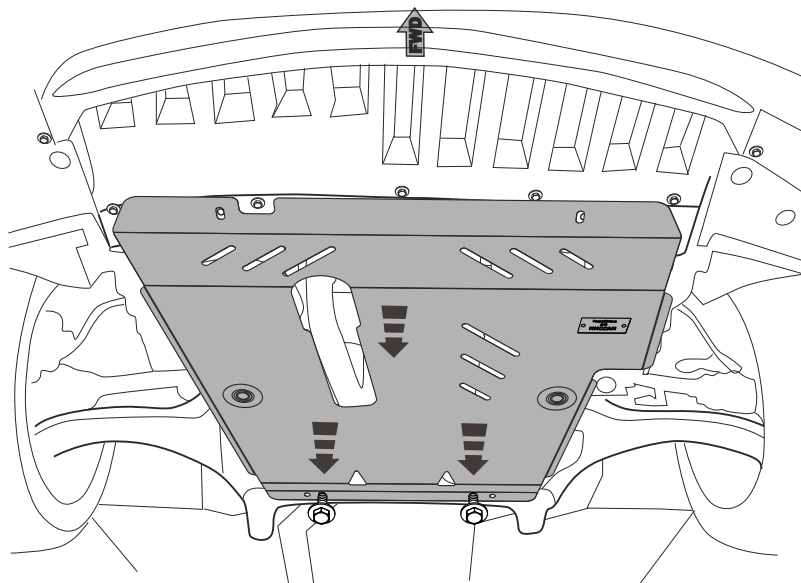




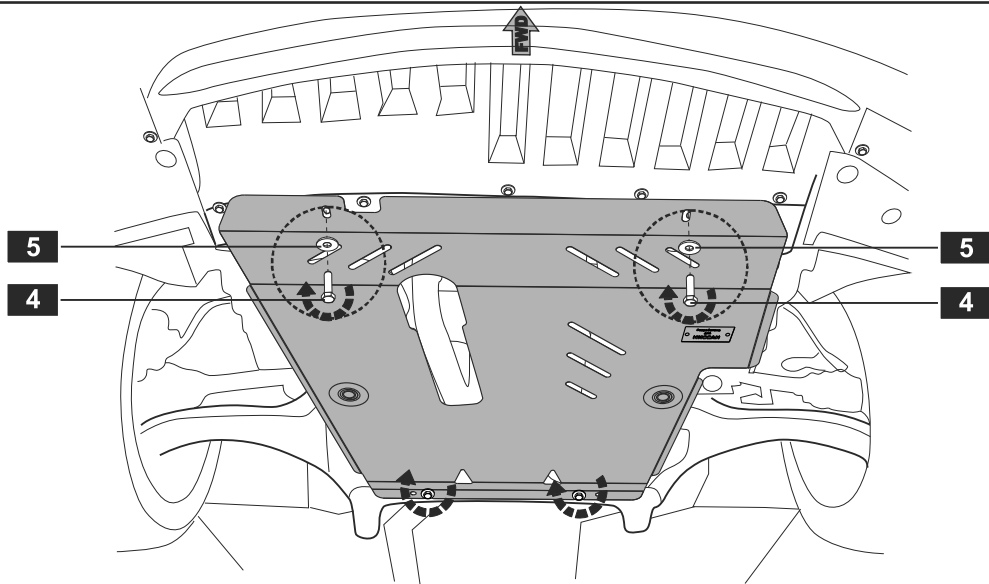
**Fig.1**



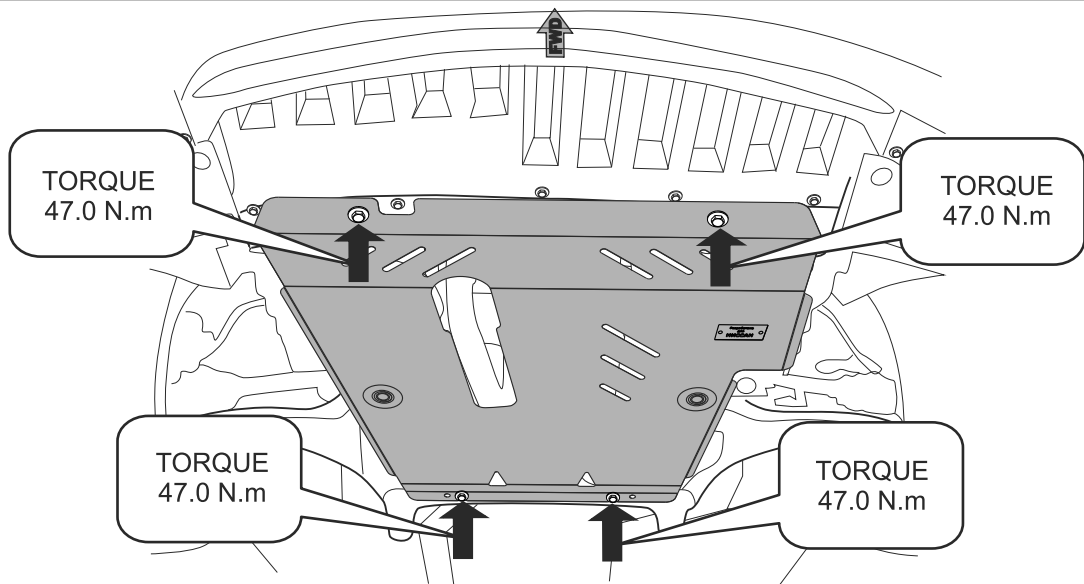
**Fig.2**



**Fig.3**



**Fig.4**



**Fig.5**