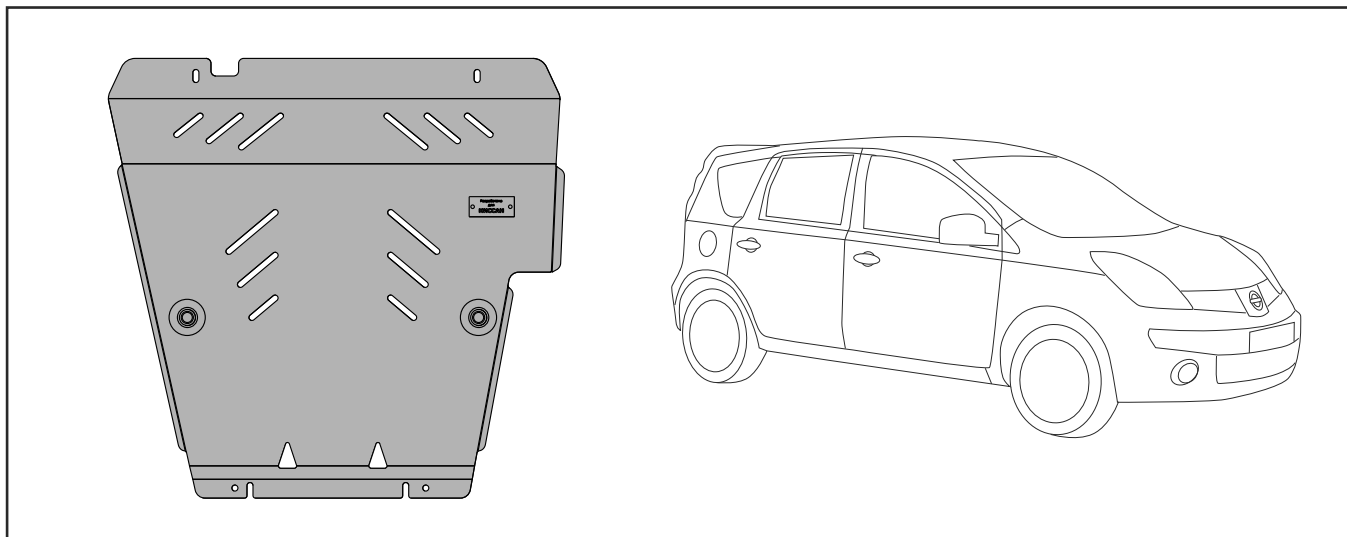


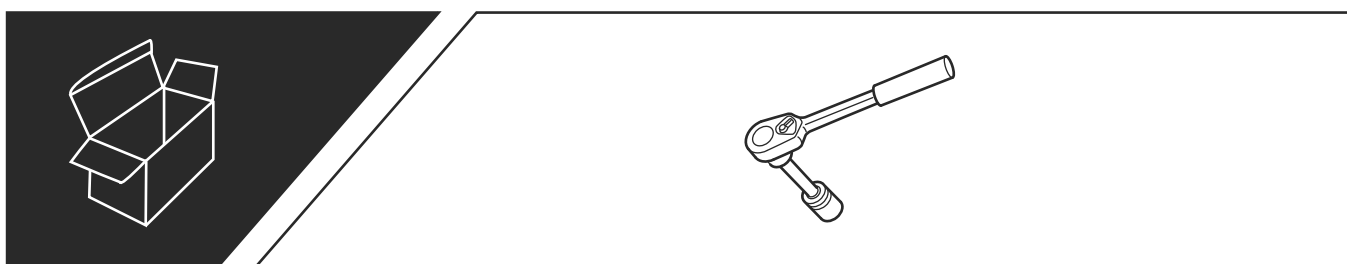
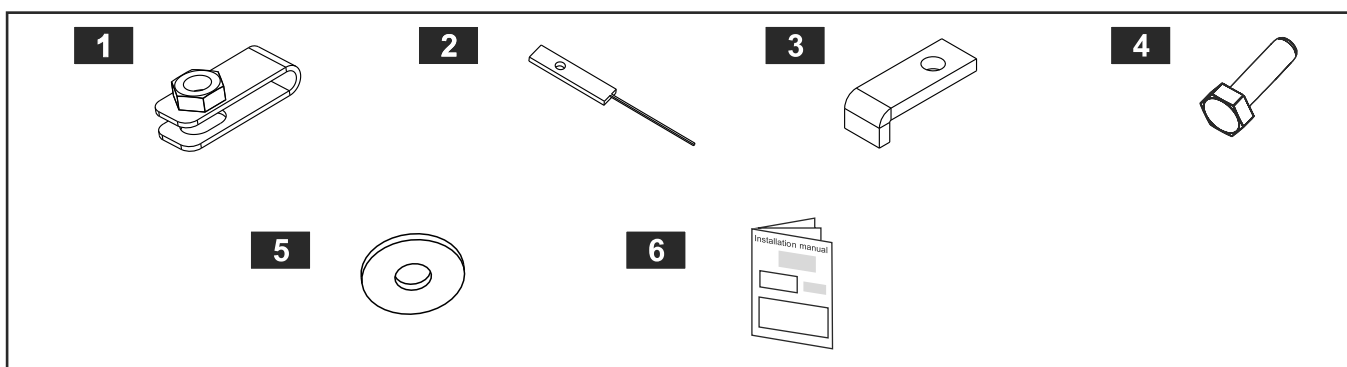
Note 2005 -

(GB) Under body protector



(GB) LIST OF PARTS

NO.	NAME	QTY.
1	Clip	1
2	Threaded insert with tail	1
3	Threaded insert	2
4	Bolt M10x30	4
5	Washer 10	4
6	Installation manual	1



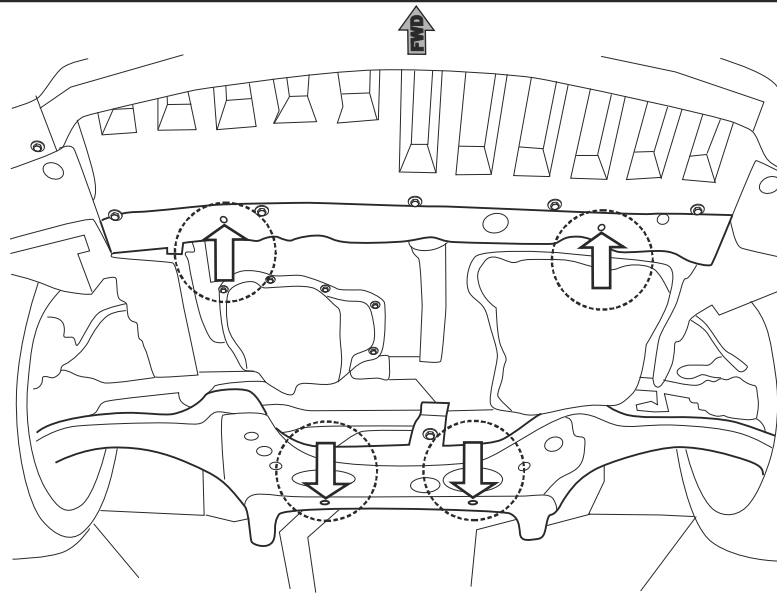


Fig. 1

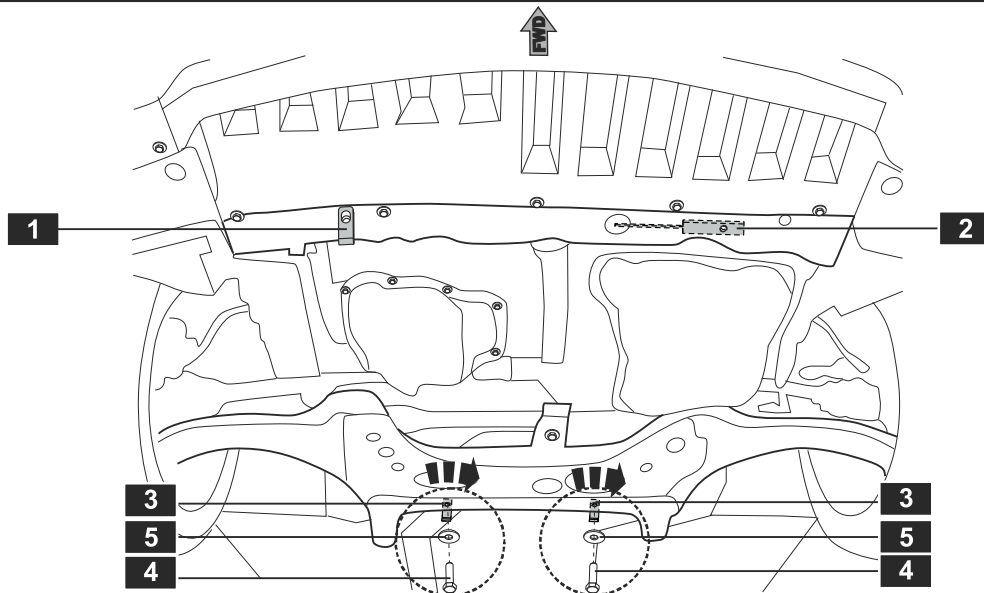


Fig. 2

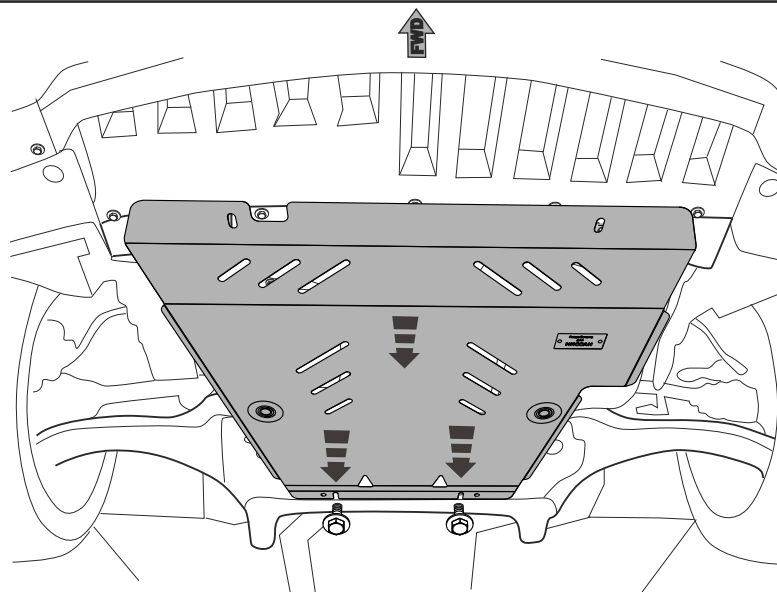


Fig. 3

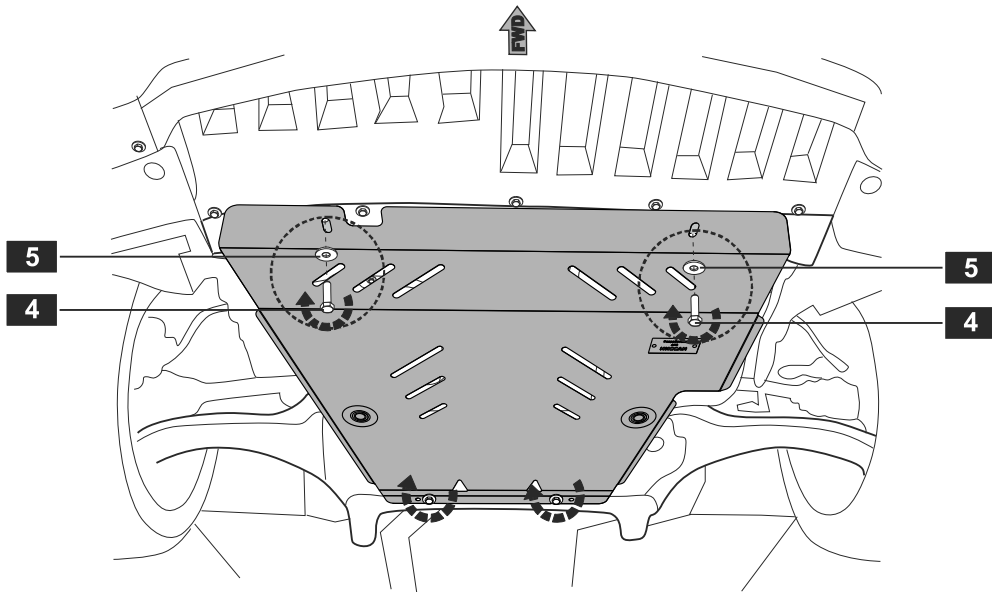


Fig.4

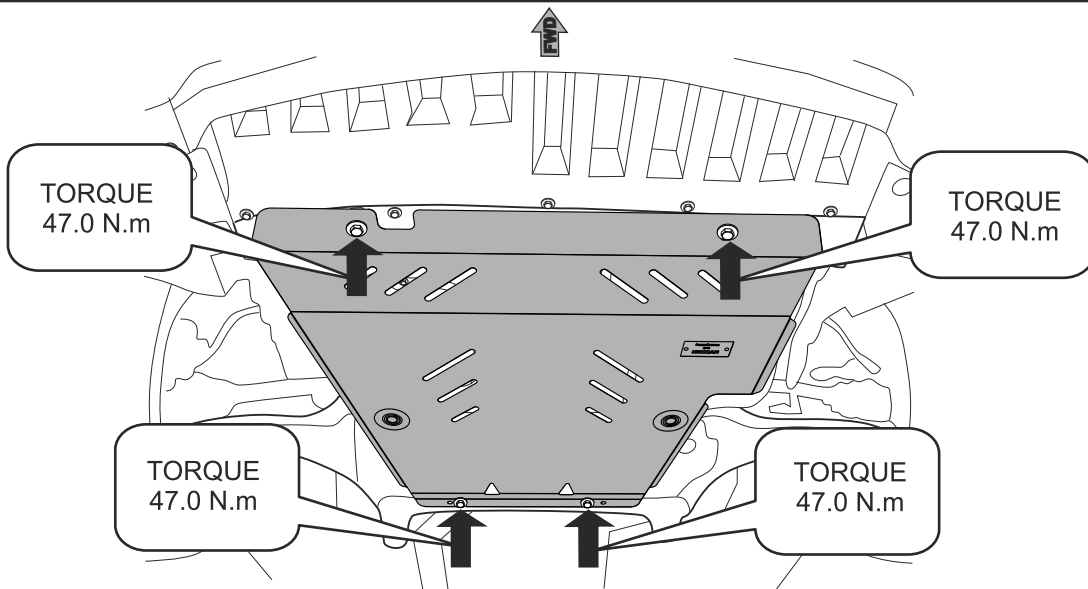


Fig.5