



MITSUBISHI L200 (Triton) (KA; KB; 2,5 TD)

2007

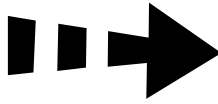
14.1147/14.1148

05/03/13

1/5



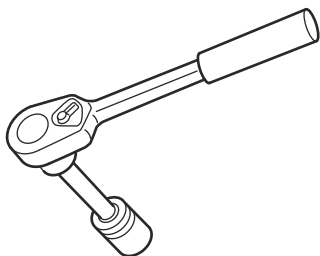
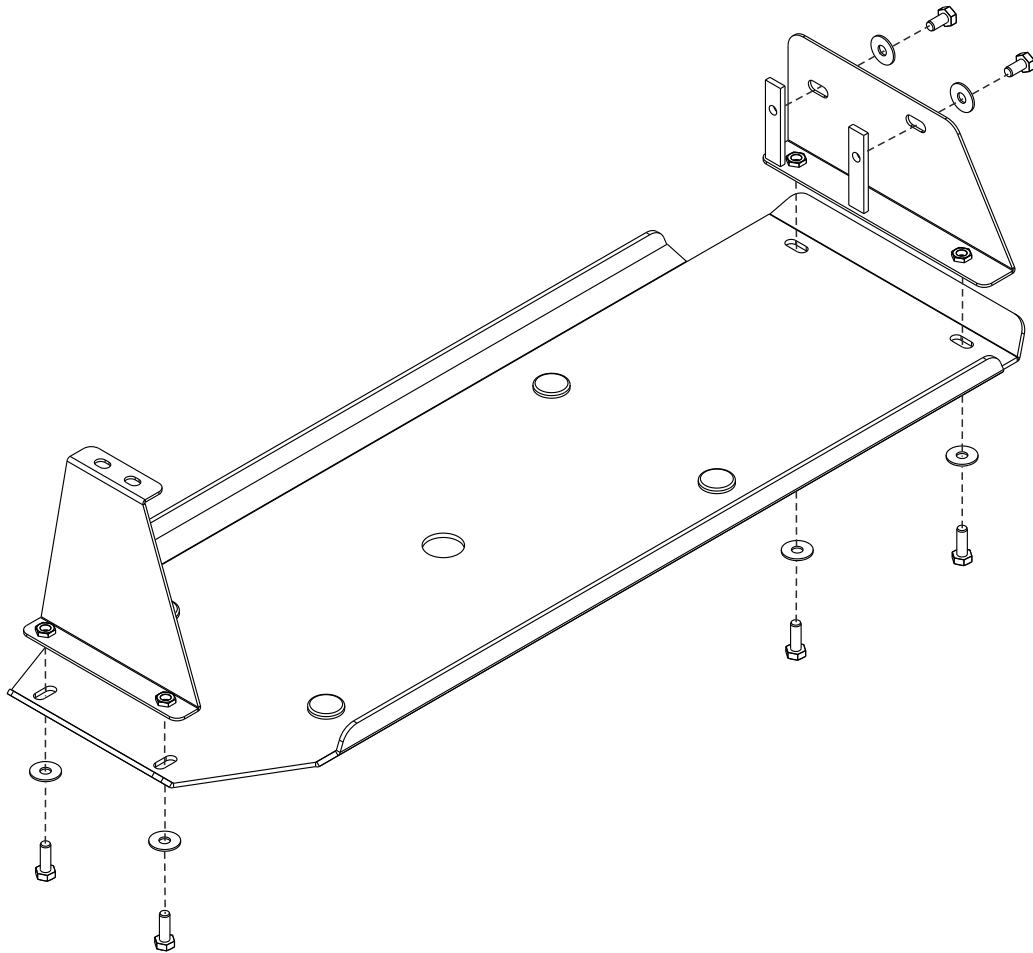
GB Location/Position Arrow

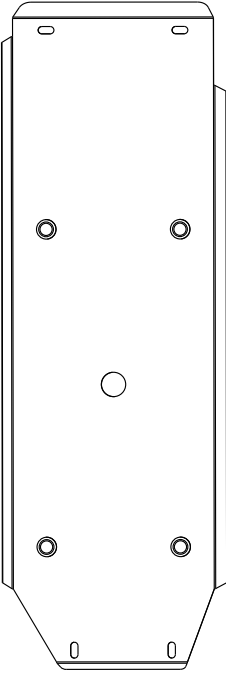


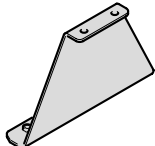
GB Movement Arrow

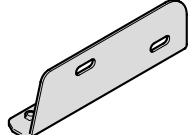


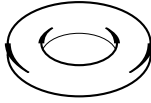
GB Screw Arrow

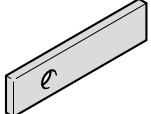


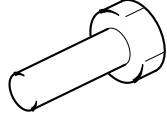
A			1X
----------	--	---	----

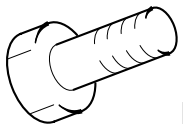
B		1X
----------	---	----

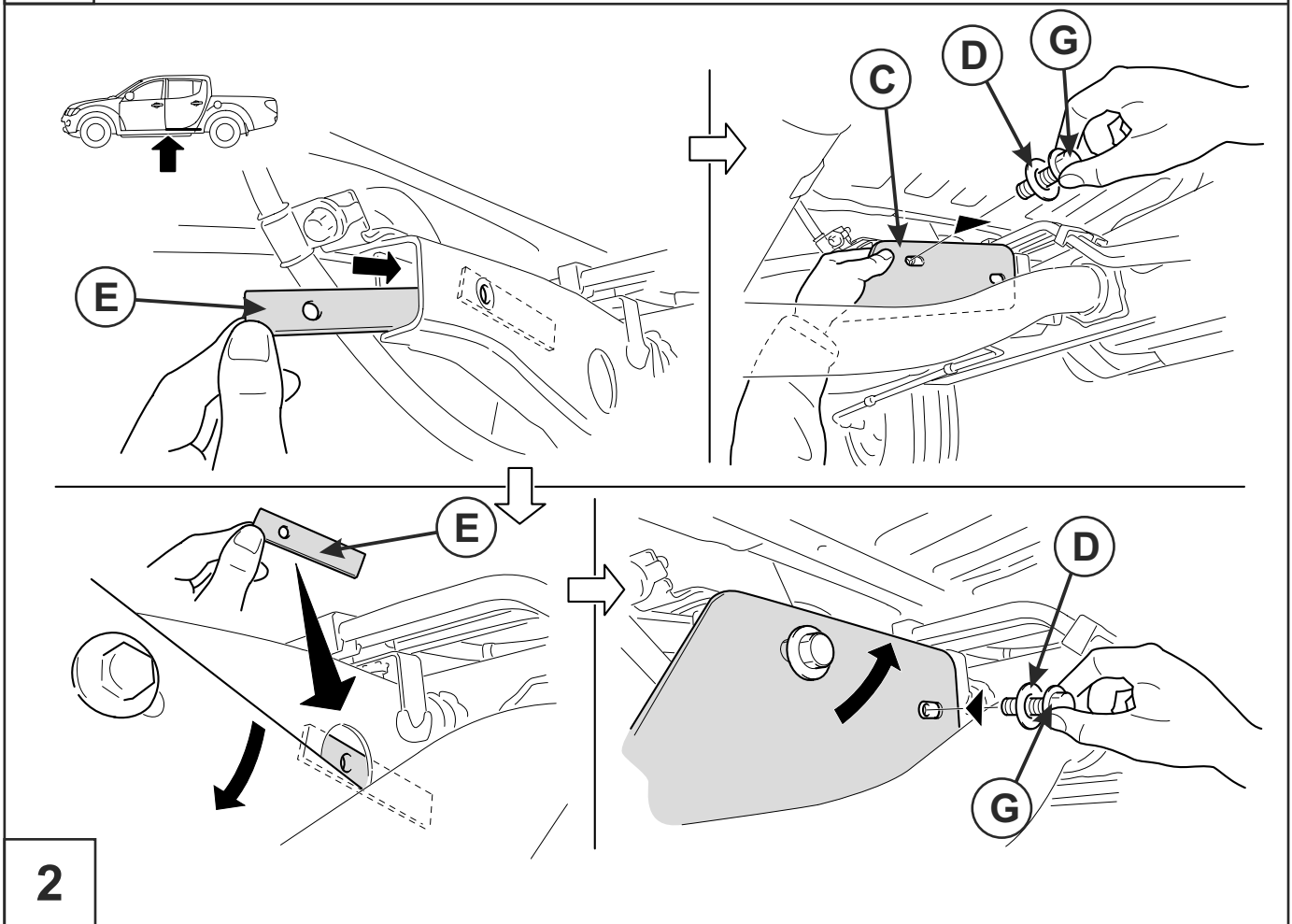
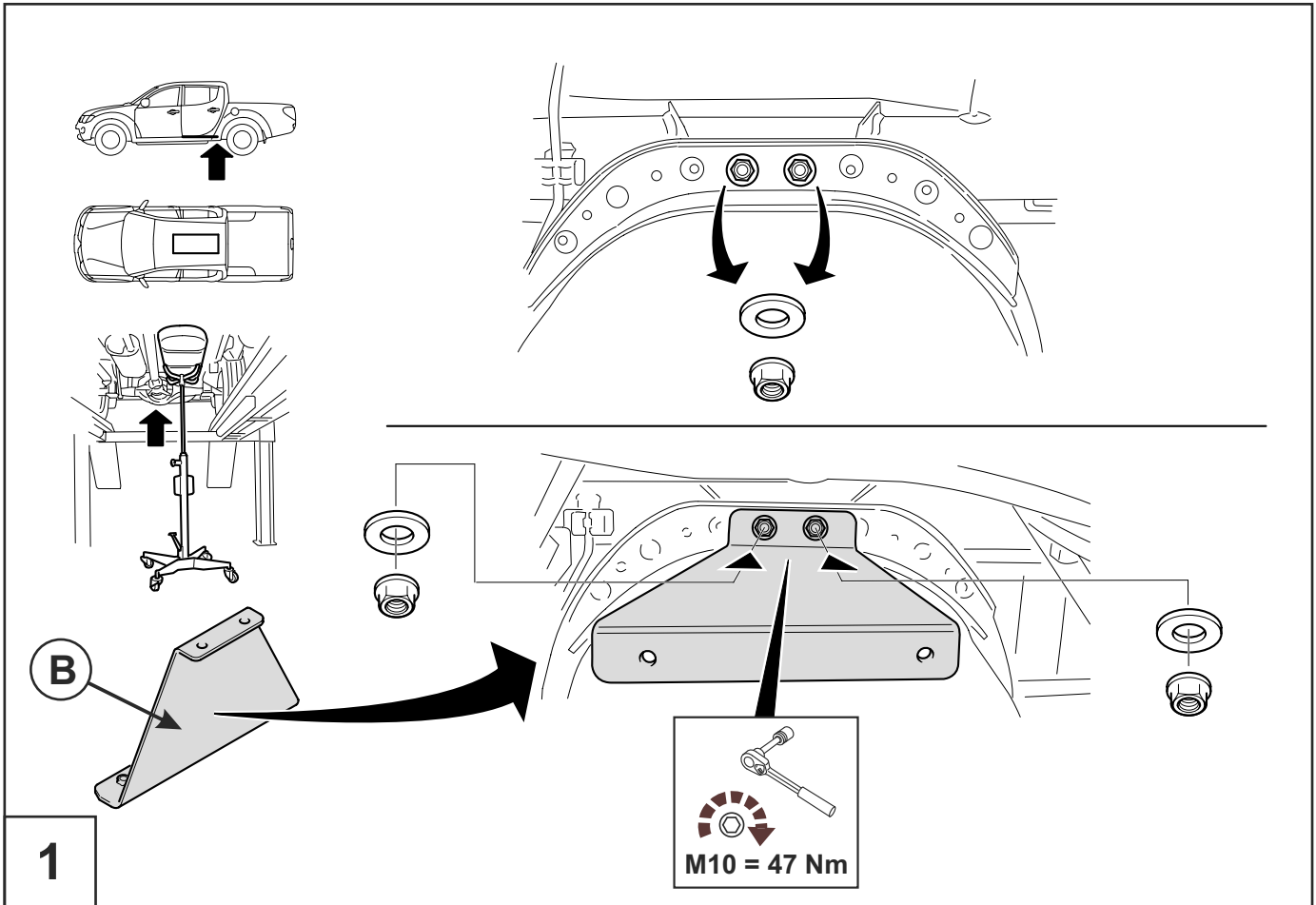
C		1X
----------	---	----

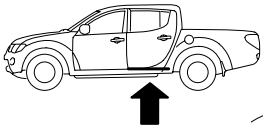
D		$\varnothing 10$ 6X
----------	---	------------------------

E		2X
----------	---	----

F		M10x30 4X
----------	---	--------------

G		M10x20 2X
----------	---	--------------

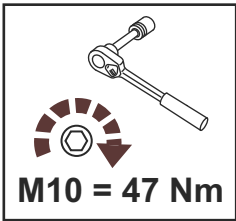




A

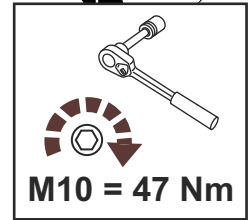
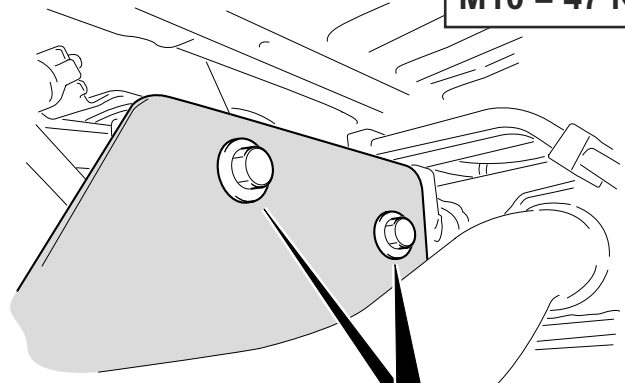
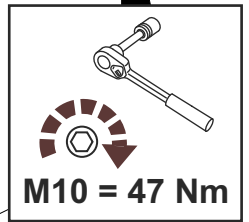
D

F



D

F



3