



MITSUBISHI L200 (Triton) (KA; KB; 2,5 TD)

2007

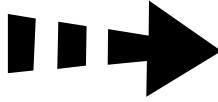
14.1145/14.1146

05/03/13

1/7



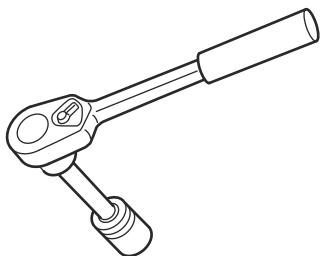
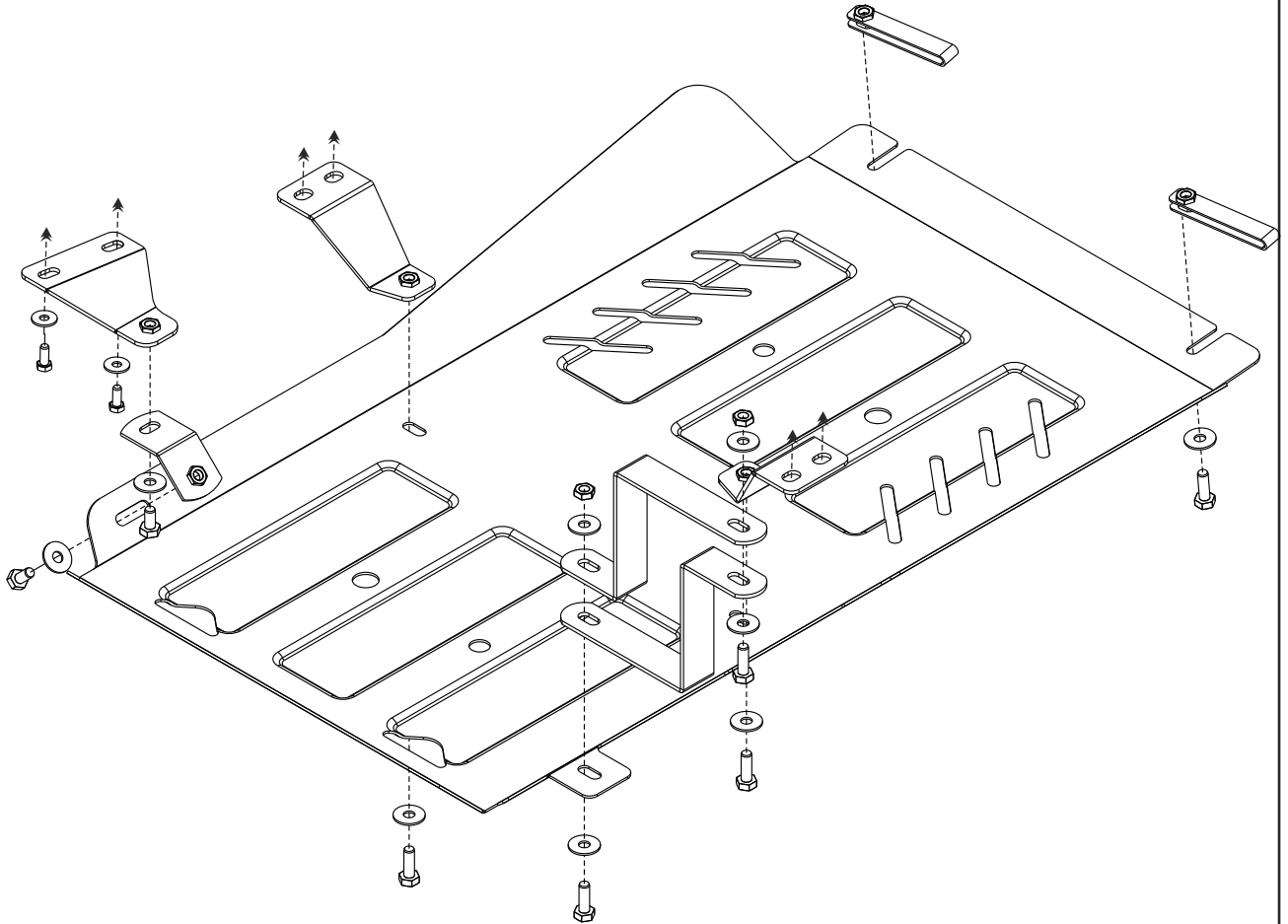
GB Location/Position Arrow



GB Movement Arrow



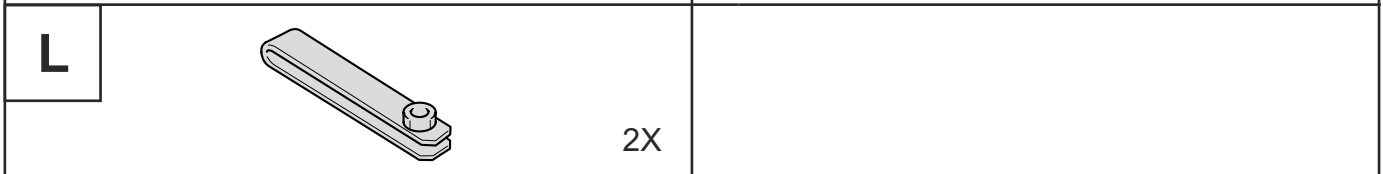
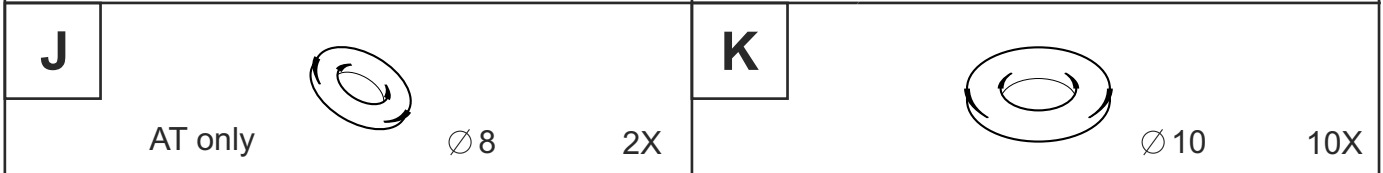
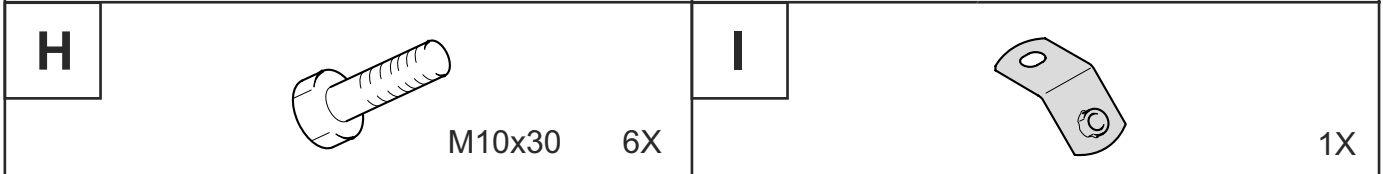
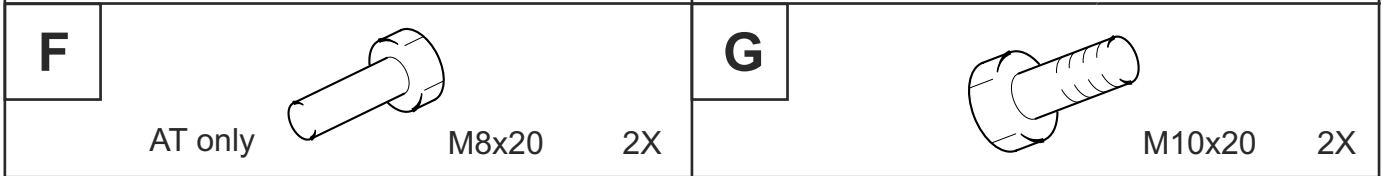
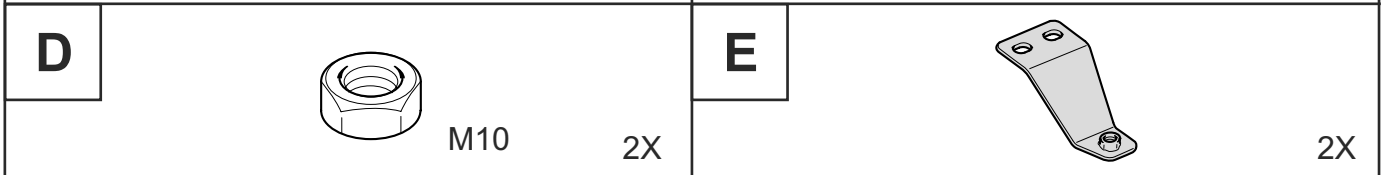
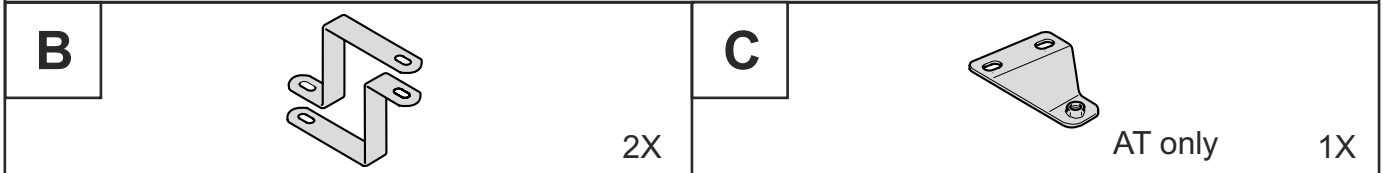
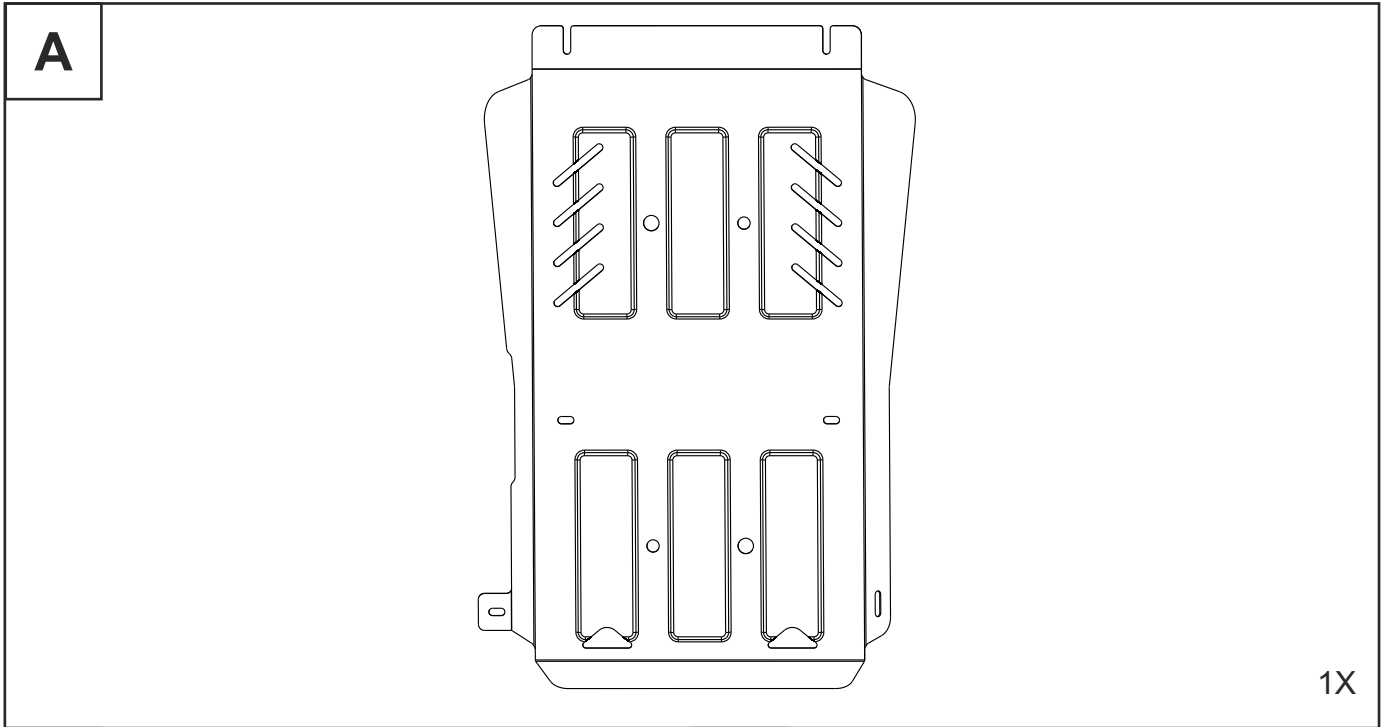
GB Screw Arrow

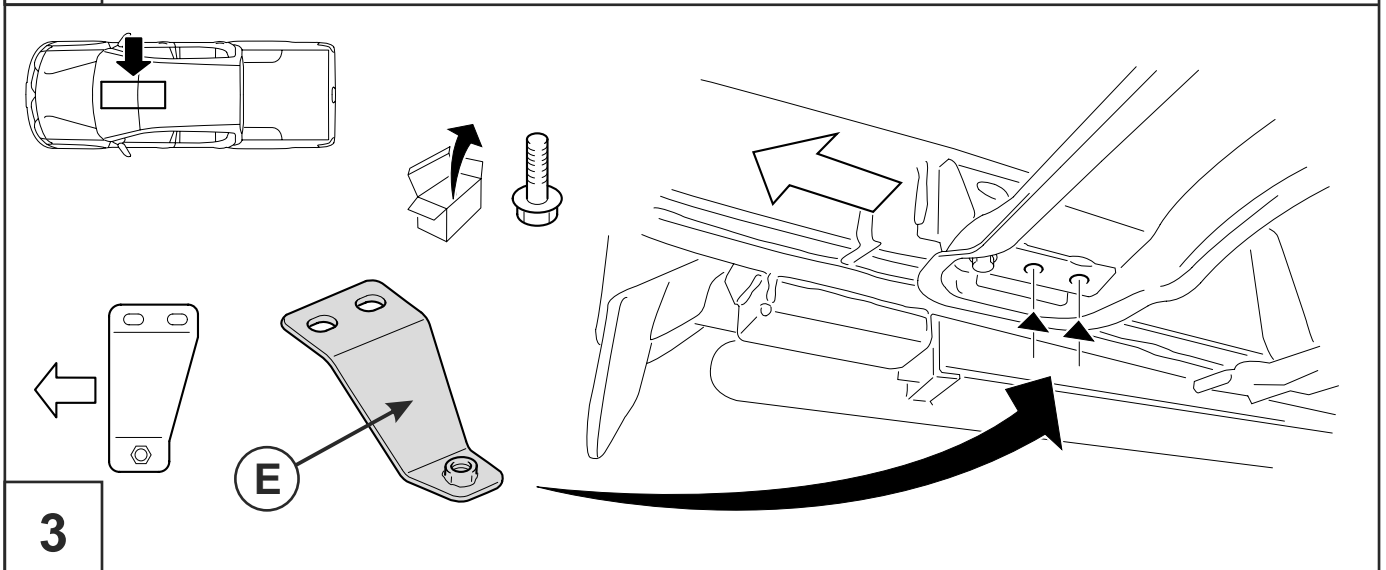
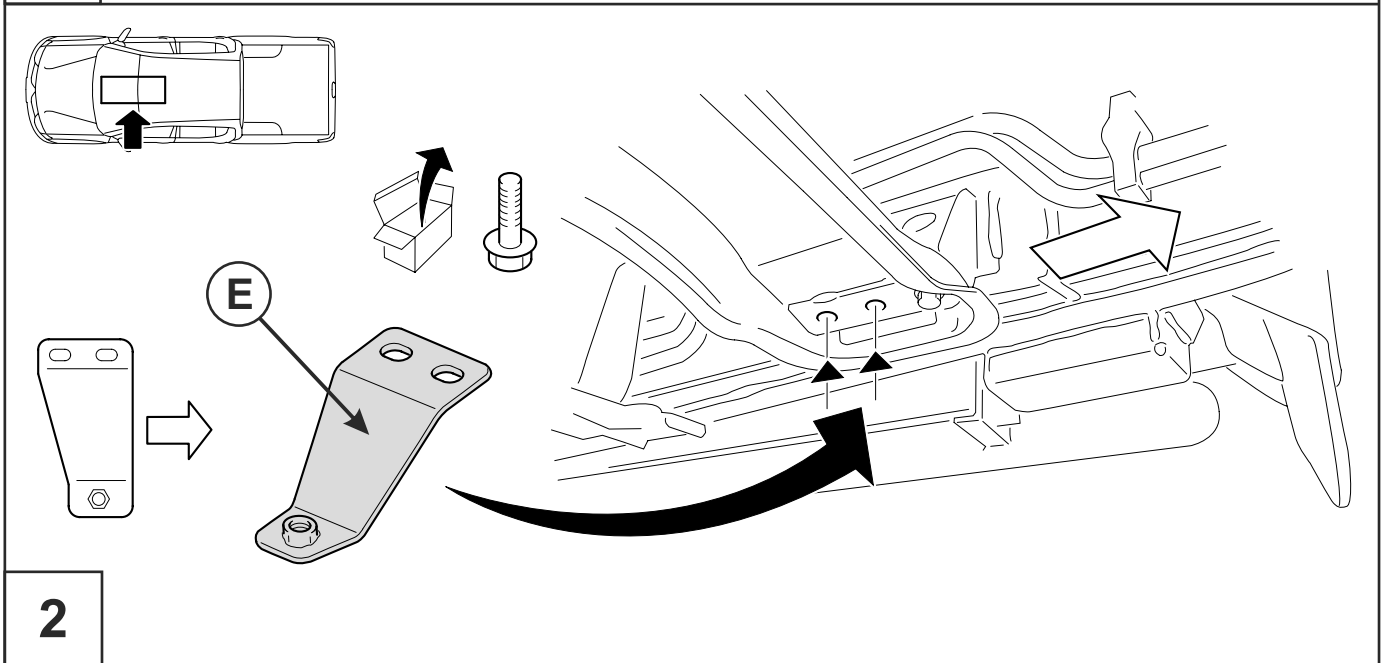
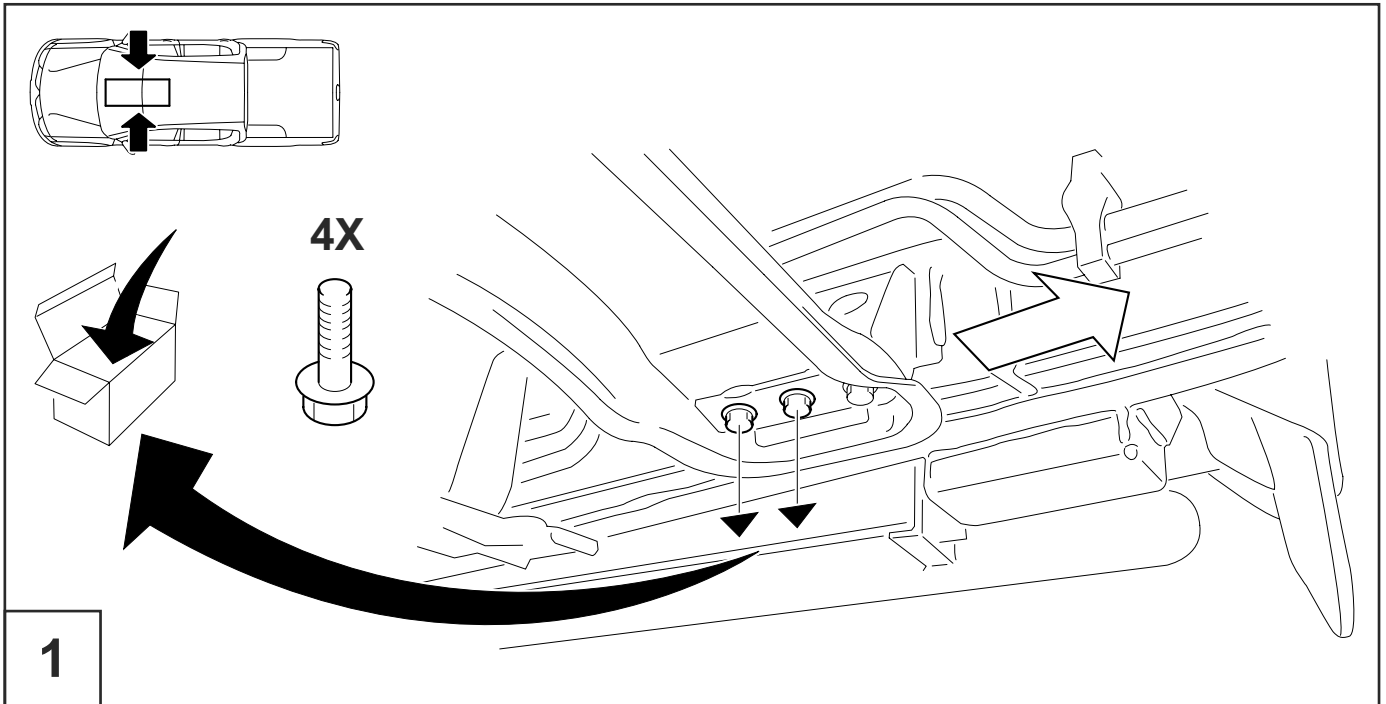


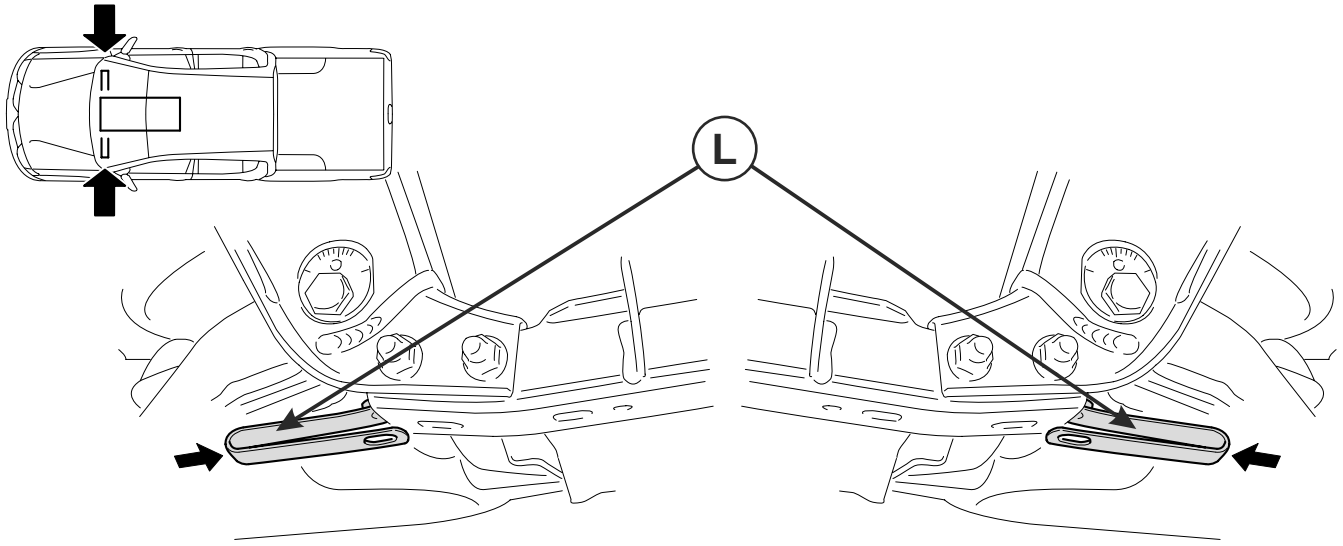
14.1145/14.1146

05/03/13

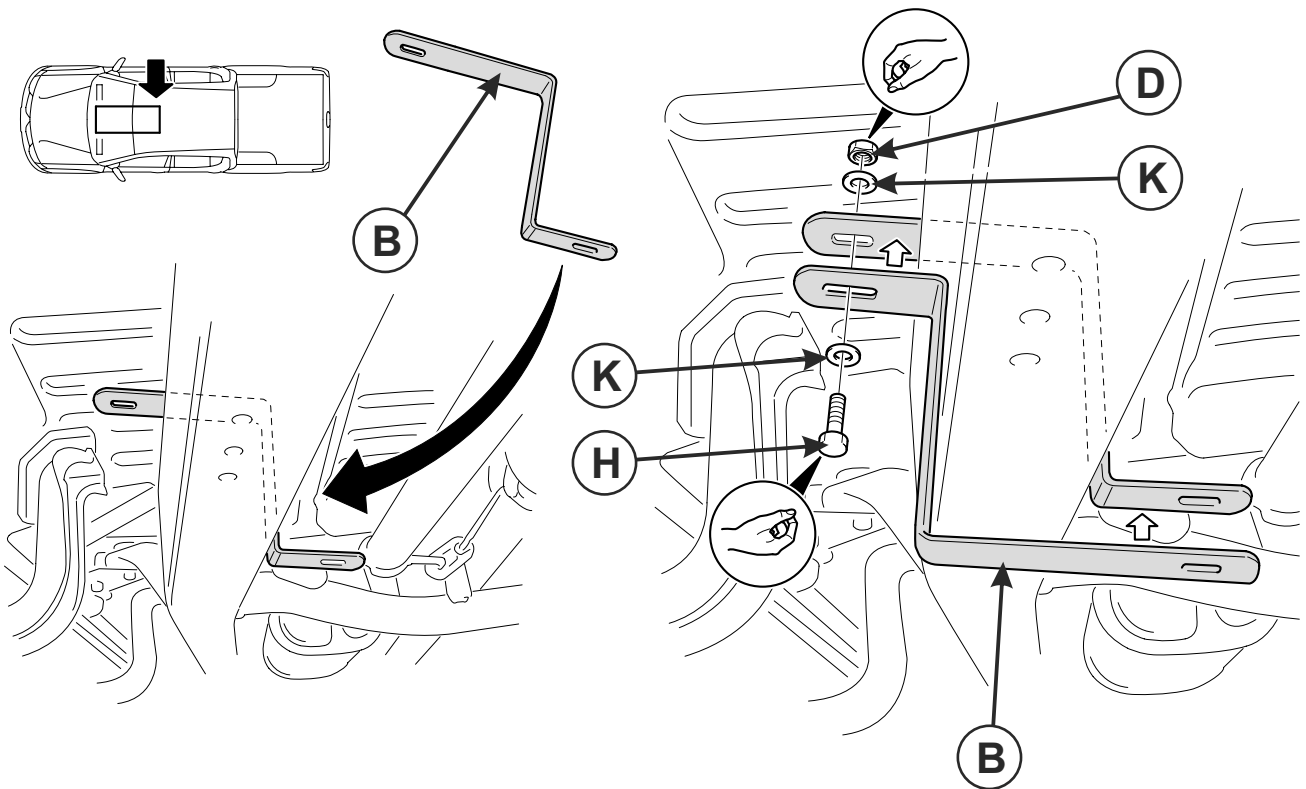
2/7



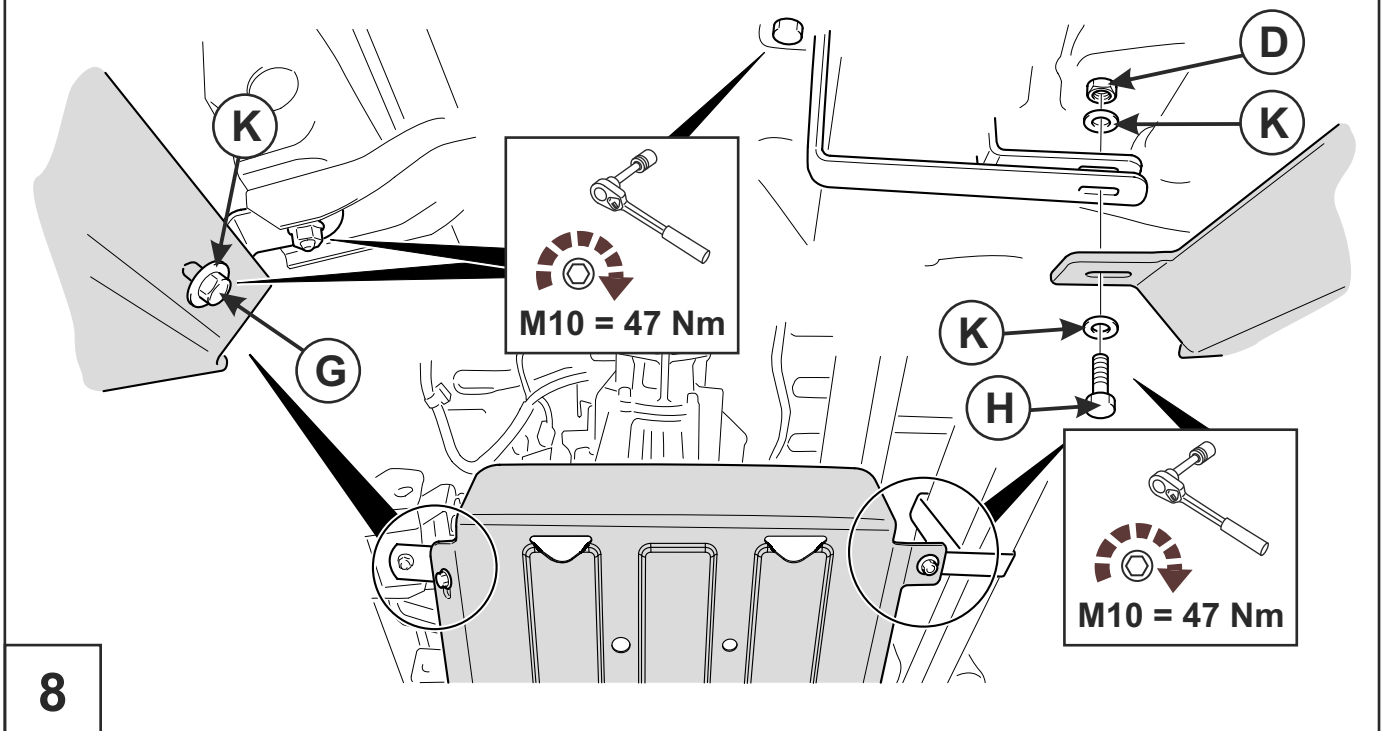
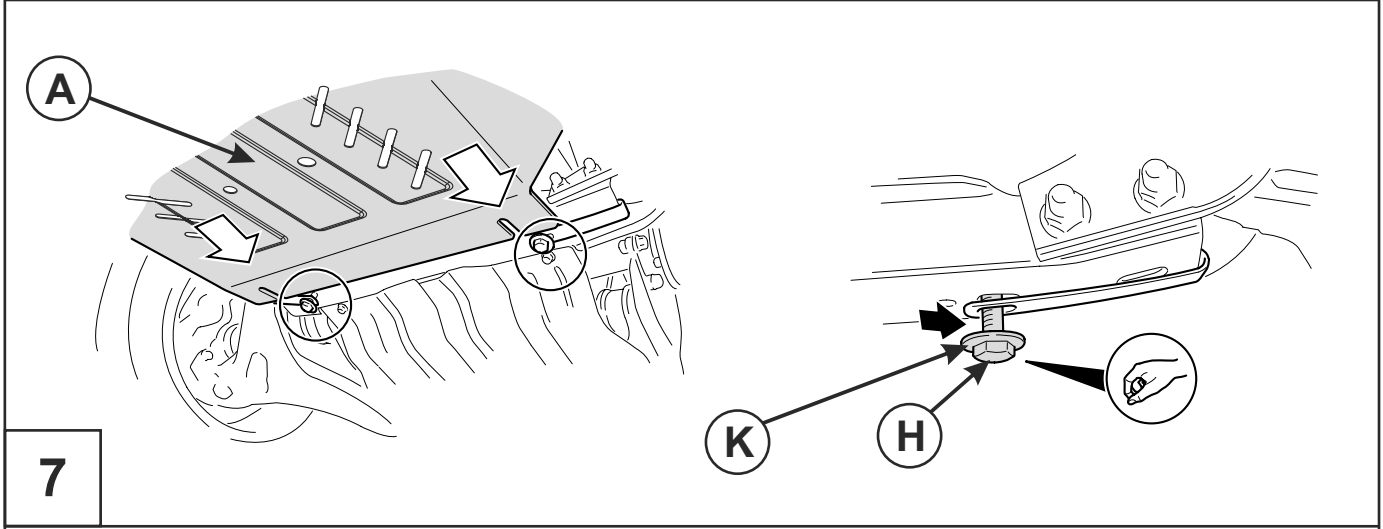
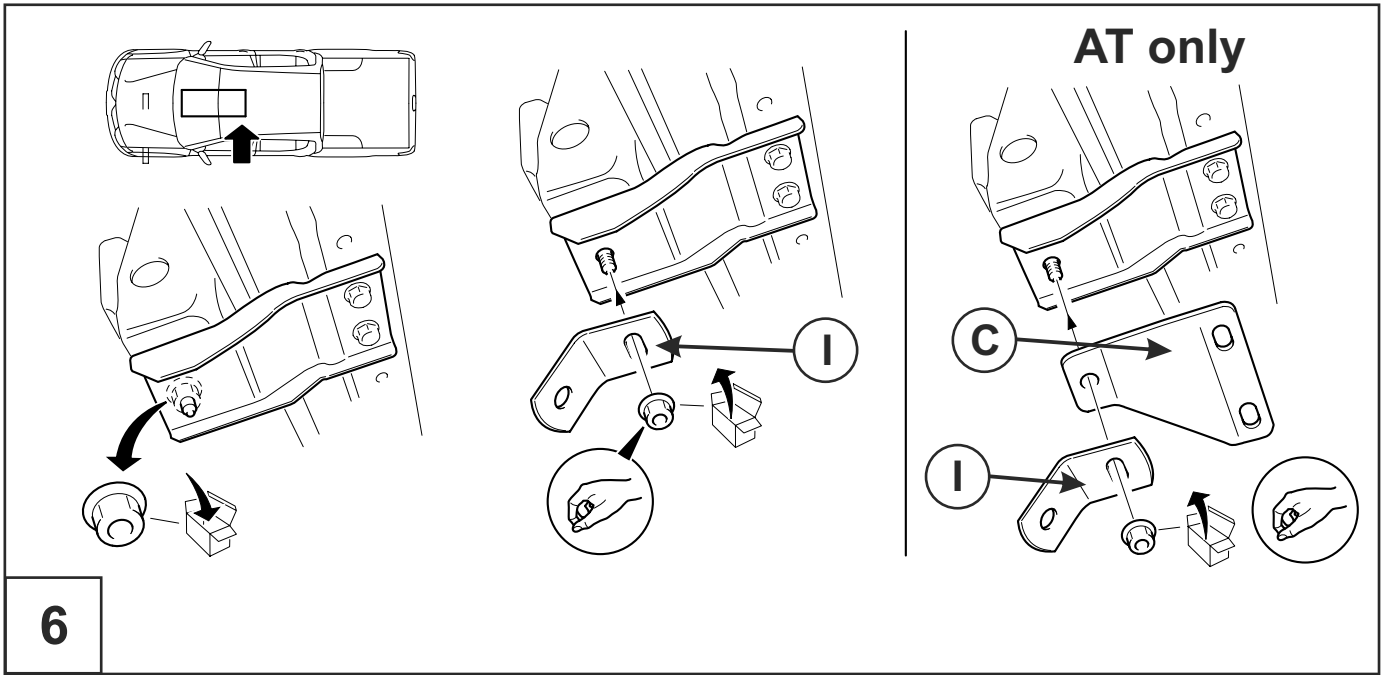


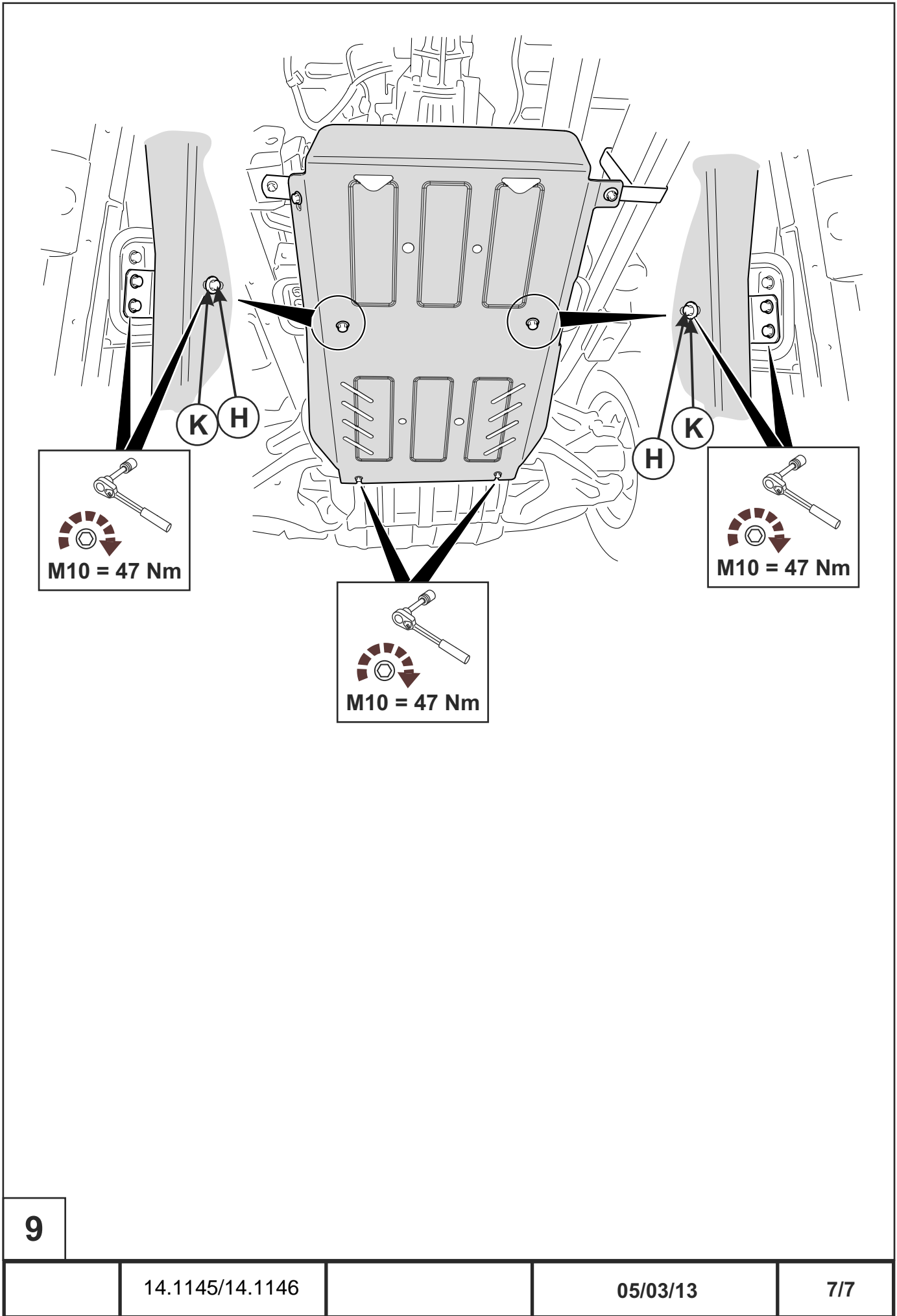


4



5





9

14.1145/14.1146

05/03/13

7/7