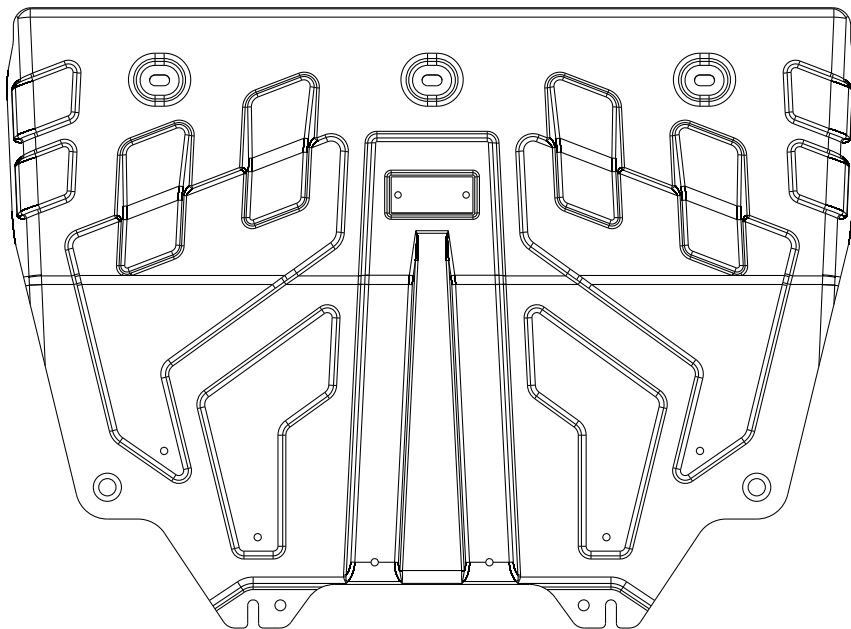


A

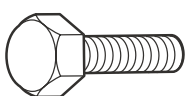

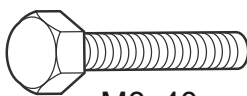

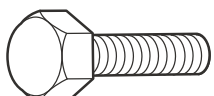
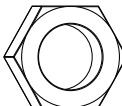
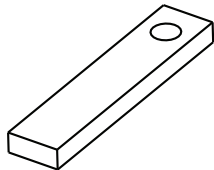
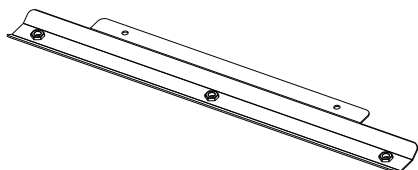
MAZDA 6

MAZDA CX-5

GB UNDERGUARD
Installation instruction



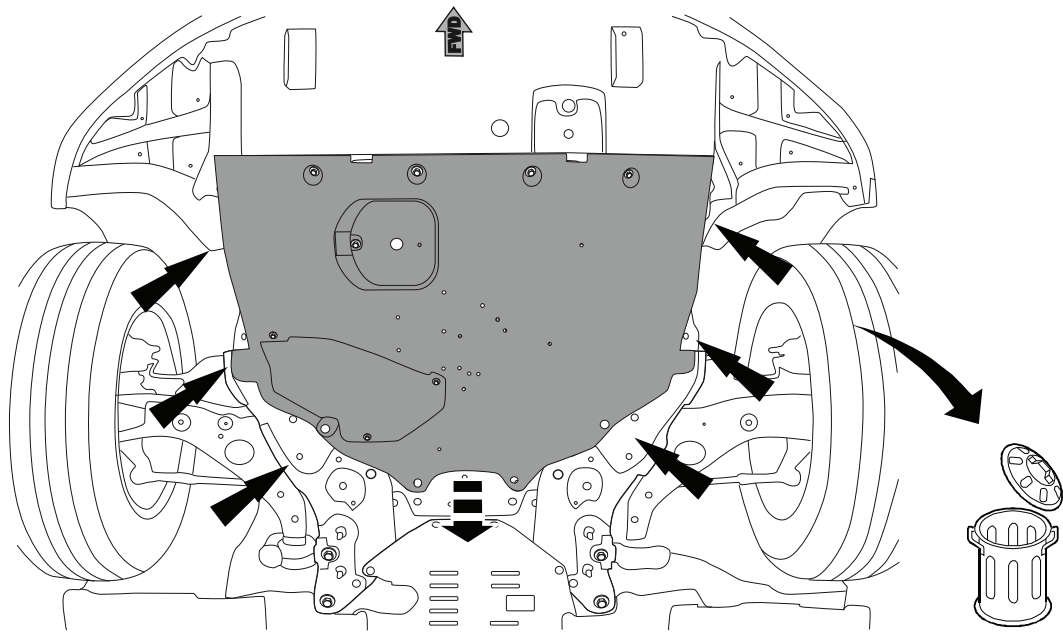
INSTALLATION

<p>B</p>  <p>M8x20</p> <p>2x</p>	<p>C</p>  <p>Ø10</p> <p>3X</p>
<p>D</p>  <p>M8x40</p> <p>2x</p>	<p>E</p>  <p>Ø8</p> <p>6X</p>
<p>F</p>  <p>M10x20</p> <p>3x</p>	<p>G</p>  <p>M8</p> <p>2x</p>
<p>H</p>  <p>2x</p>	<p>I</p>  <p>1x</p>

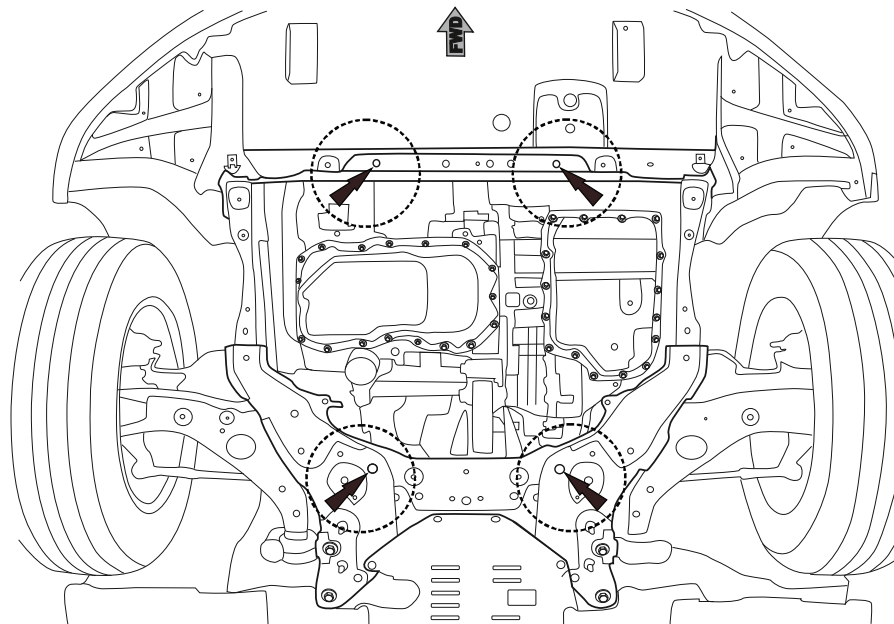
Part Number: 12.2175
12.2192

Date: 12-03-2012

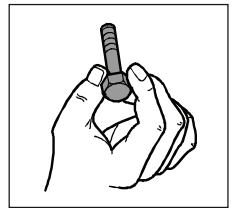
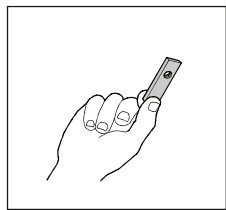
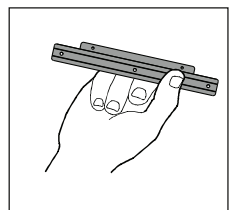
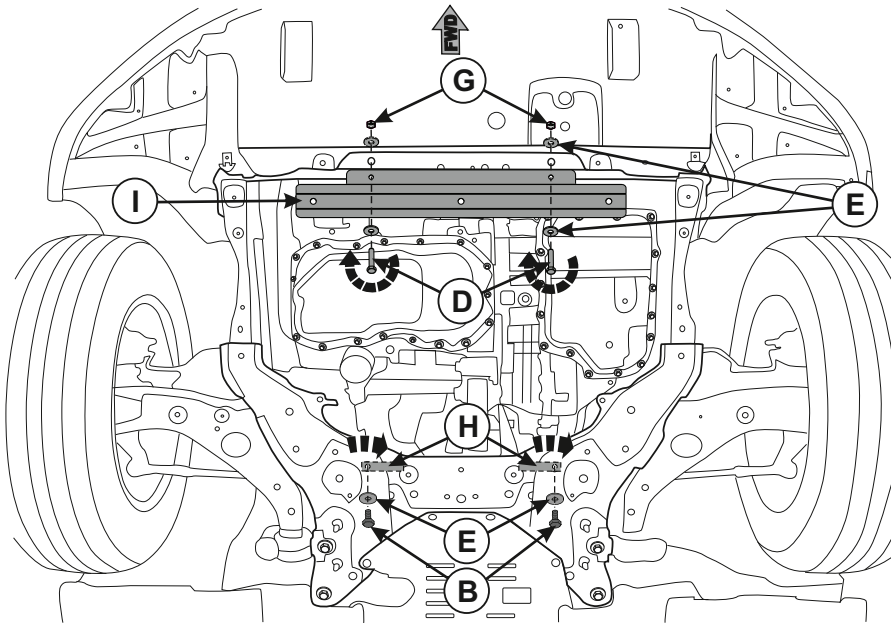
Sheet 2 of 5



1



2



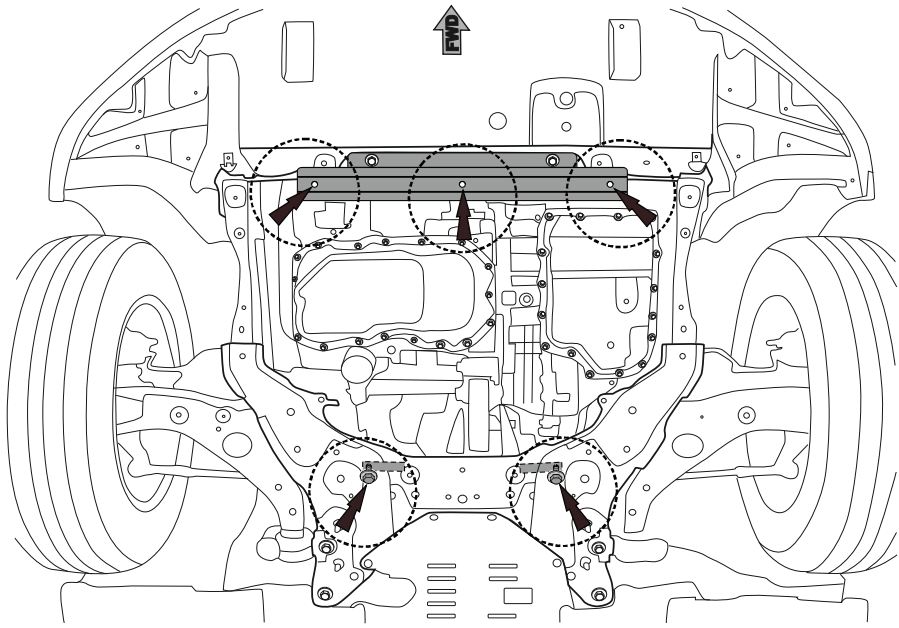
3

Part Number: 12.2175
12.2192

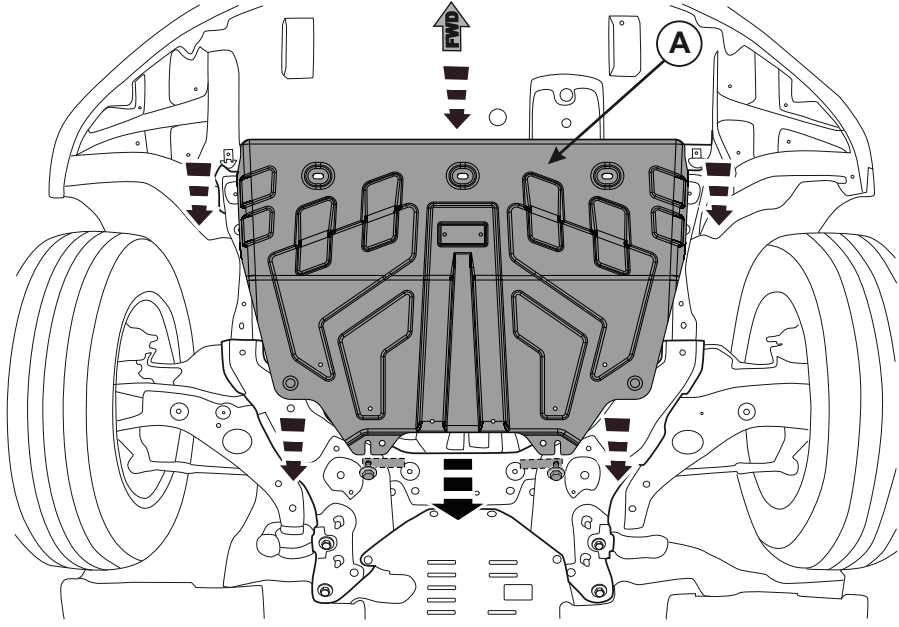
Date: 12-03-2012

Sheet 3 of 5

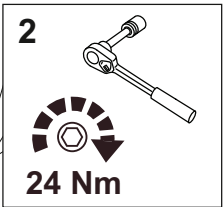
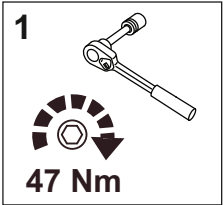
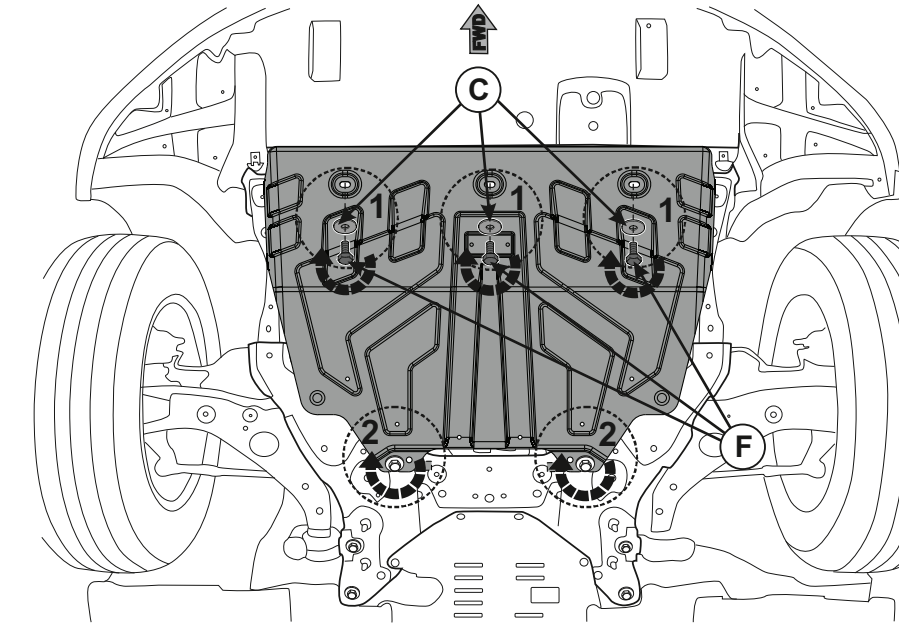
4



5



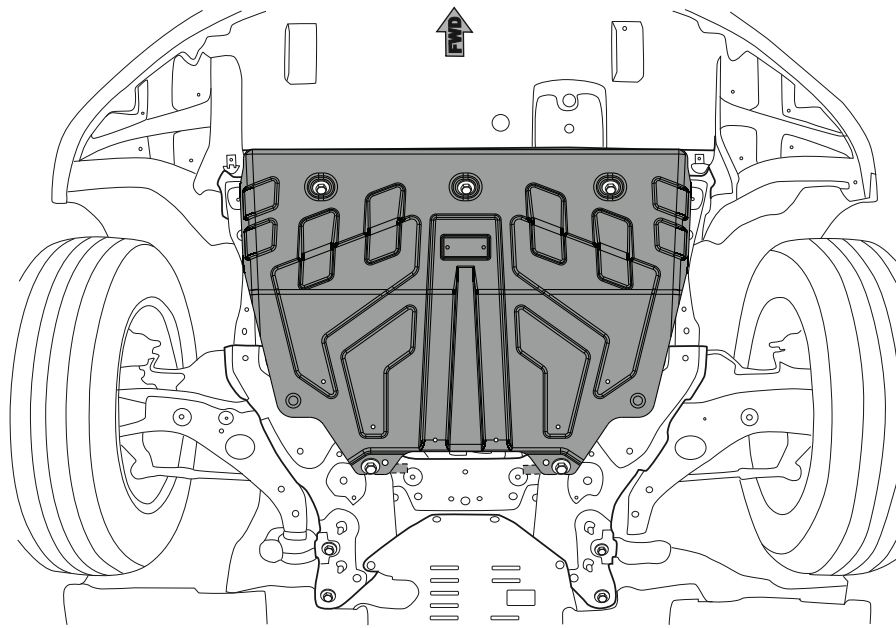
6



Part Number: 12.2175
12.2192

Date: 12-03-2012

Sheet 4 of 5



7

Part Number: 12.2175
12.2192

Date: 12-03-2012

Sheet 5 of 5