


Under Run AT Case and Transfer Box Protective Shield
Installation Instructions

LEXUS GX 460

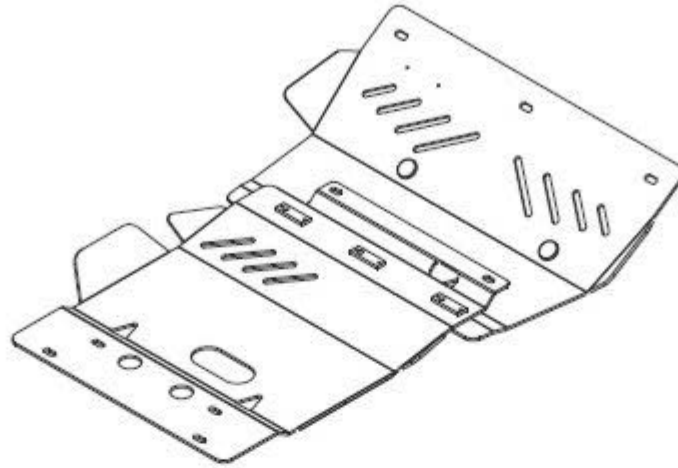
Toyota Land Cruiser 150

24.1856 / 24.1855

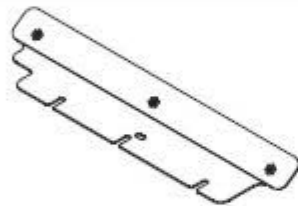


Model Year	GX460;	LC150 Diesel;	LC150 Petrol
Vehicle Code	URJ150L - GKTZKW;	KDJ15* L - G*** YW;	GRJ150L - G*** KW
Part Number			
 Installation Time	30min		

A

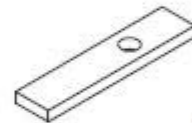


B



X1

C



X 2 SD 3004

D1



8 x M 10x 30

D2

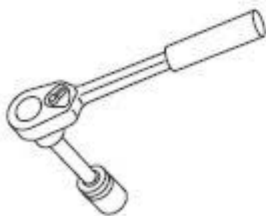


2 x M 10x1.25x30

E

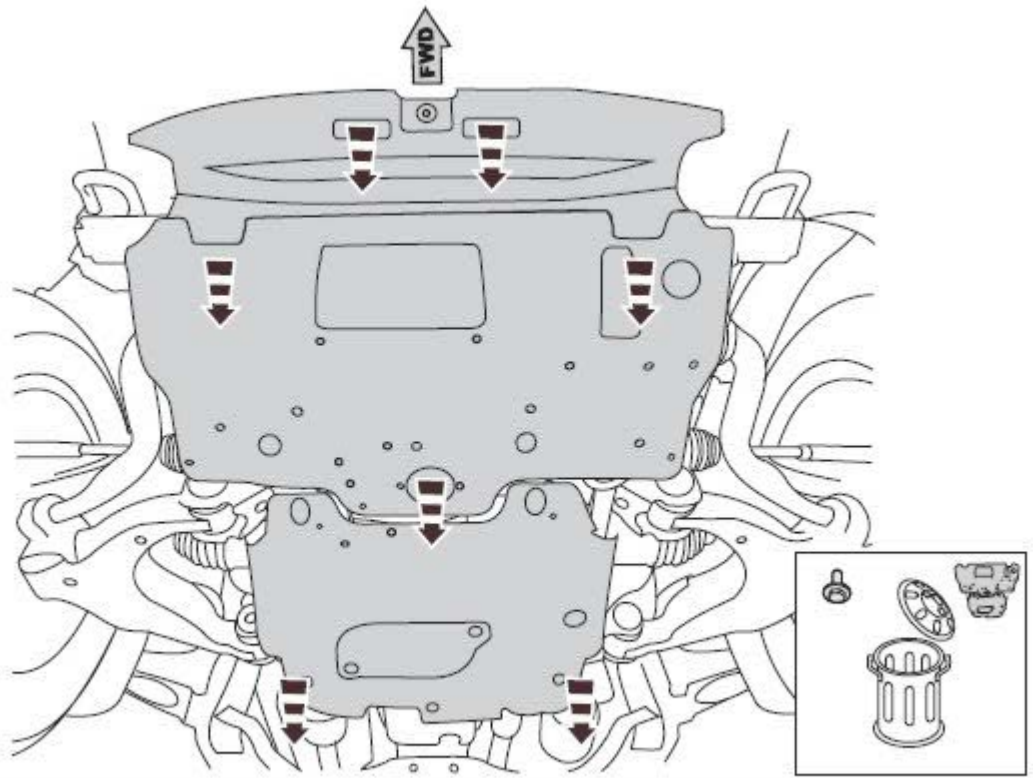


X 10 Ø10

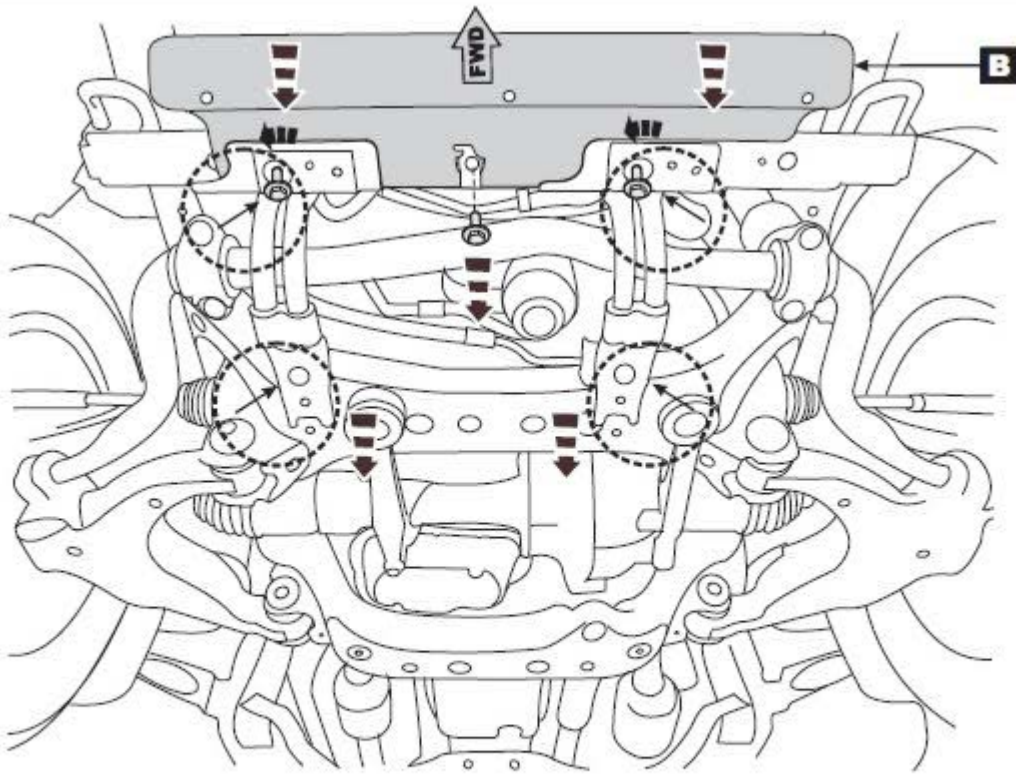


24.1856 / 24.1855

1

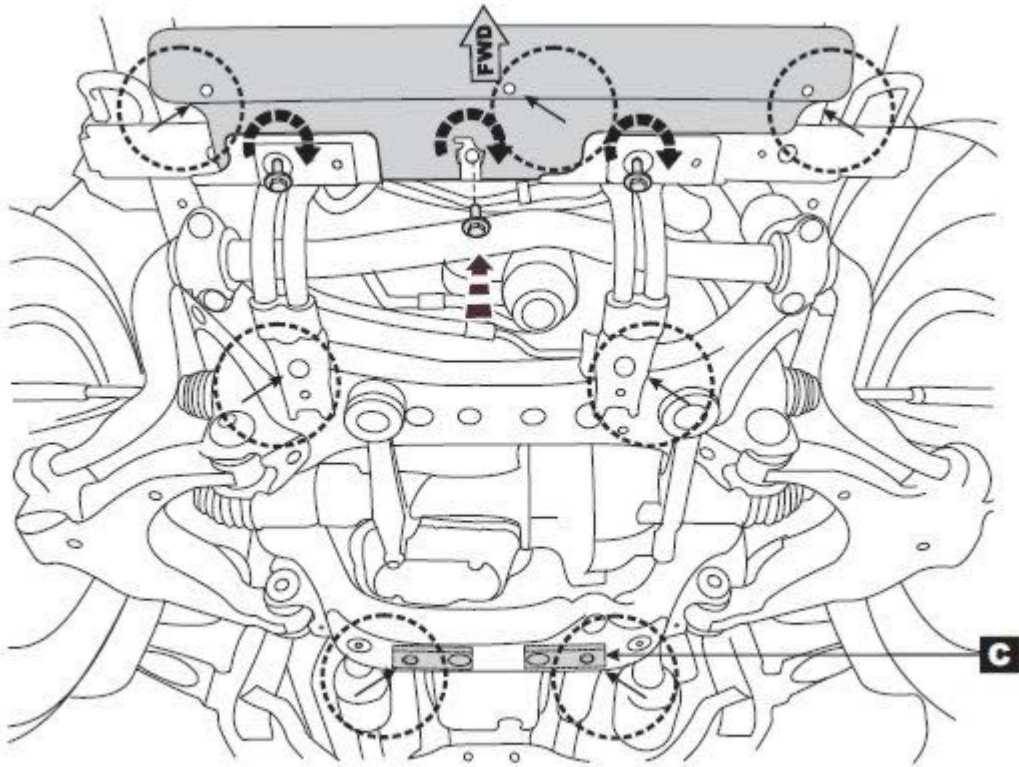


2

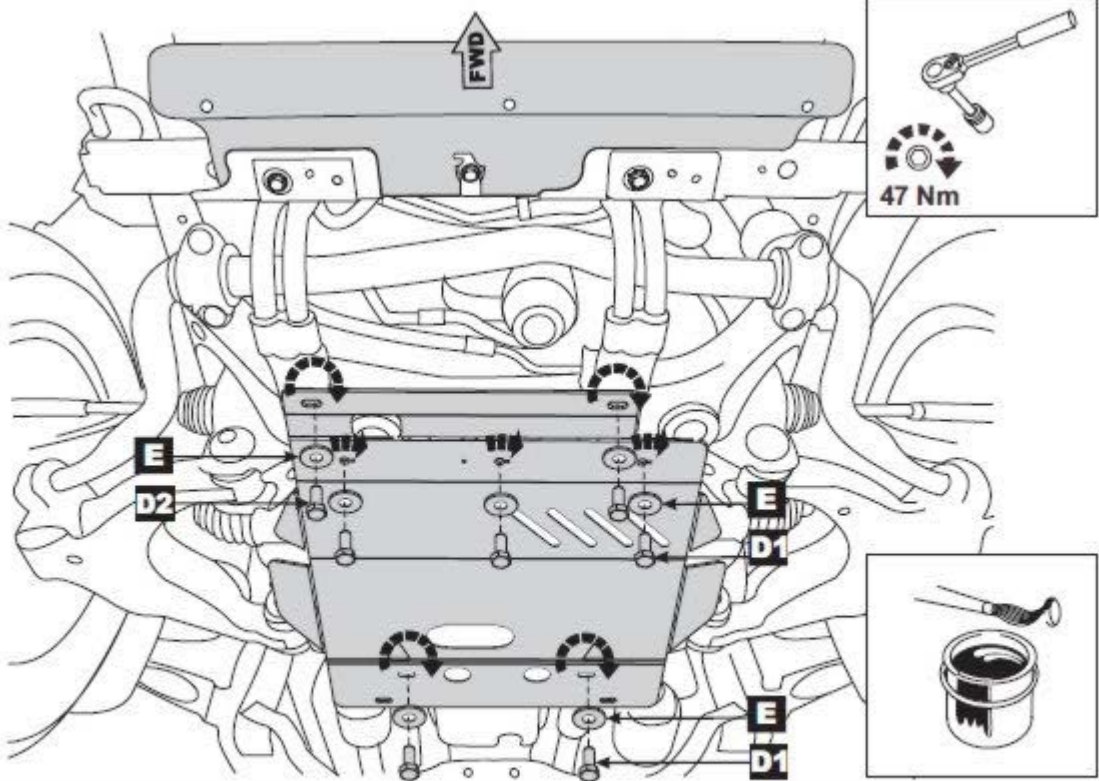


24.1856 / 24.1855

3

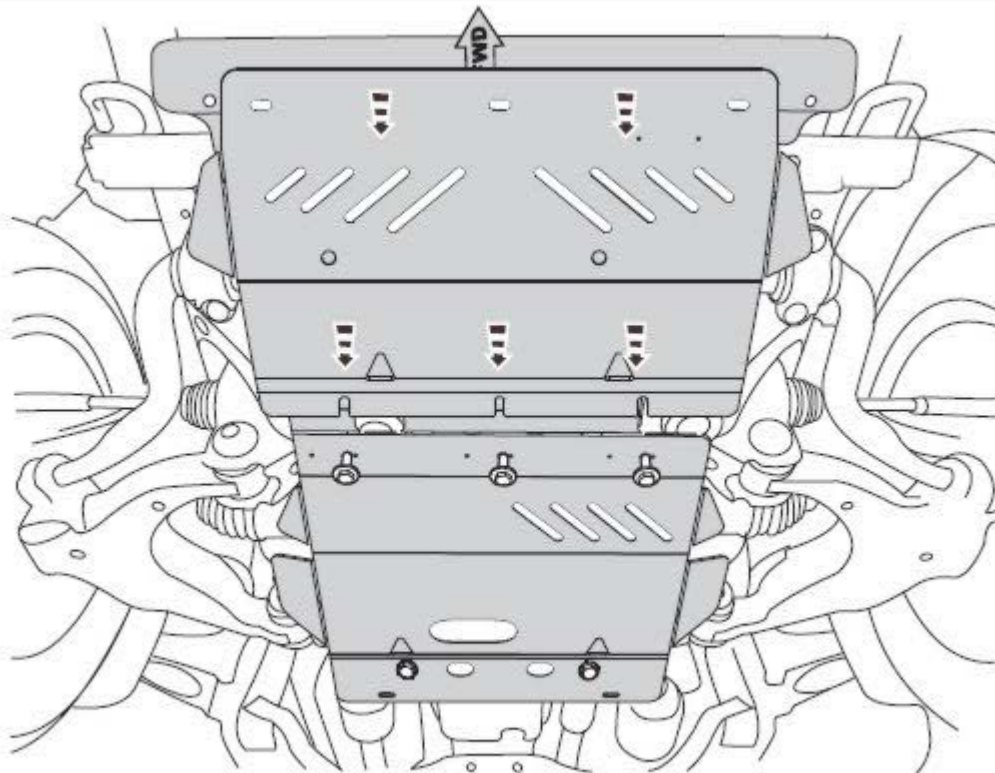


4

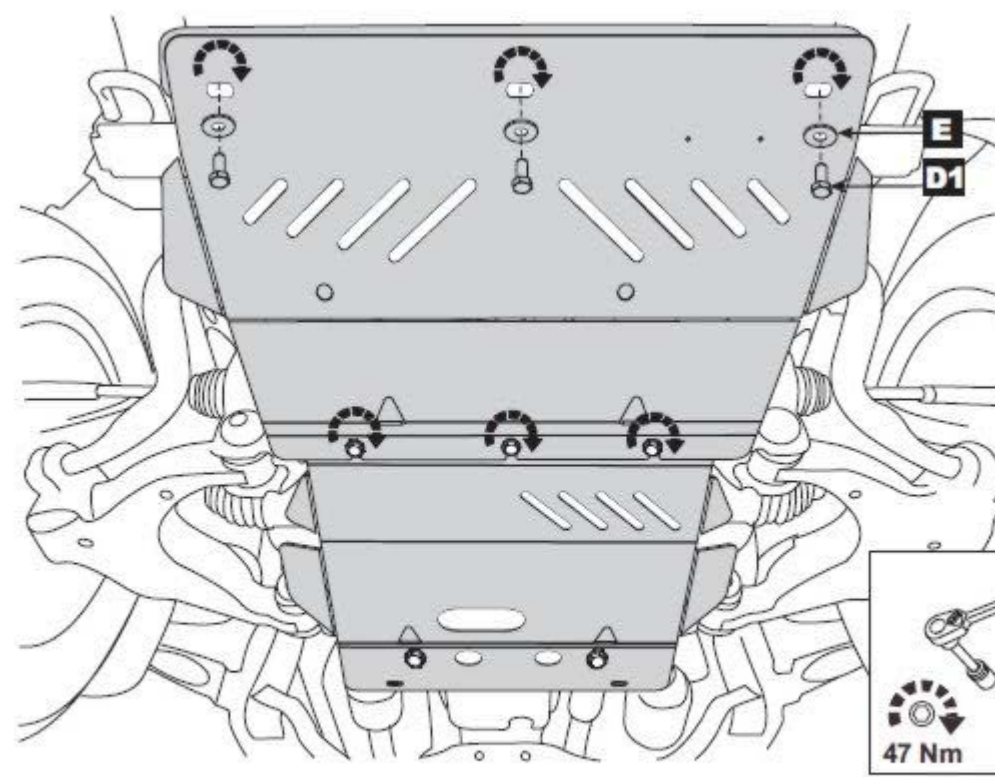


24.1856 / 24.1855

5



6



24.1856 / 24.1855