

Installation instructions for PZ4AL- 08970- 00

Toyota Camry, Lexus ES 350



Under Run Protective Shield

Toyota Camry

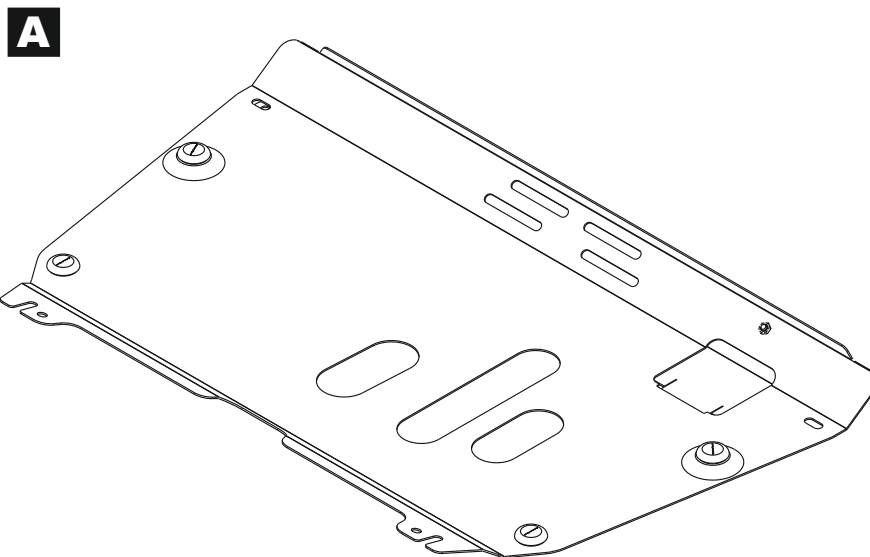


Lexus ES 350



ModelYear:	2006	2007
VehicleCode:	GSV 40L-*W	GSV40L- BETGKC
PartNumber:	PZ4AL-08970-00	PZ4AL-08970-00
 Weight:	9.1kg	9.1kg
 InstallationTime:	20min	20min
Manual reference number:	AIM 000860-0	AIM 000860-0

Part number: PZ4AL-08970-00



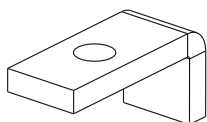
PZ4AL-08970-00

B



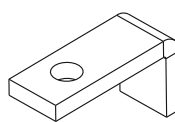
2 x

C1



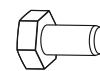
2 x

C2



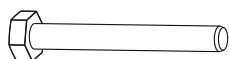
2 x

D1



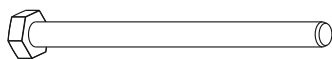
1 x M 8x20

D2



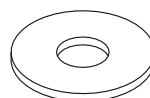
2 x M10x80

D3



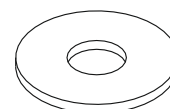
2 x M10x140

E1

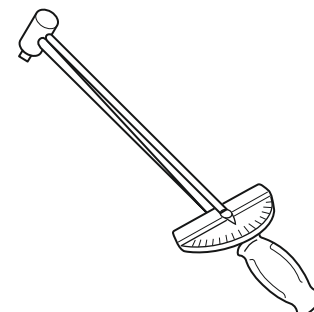
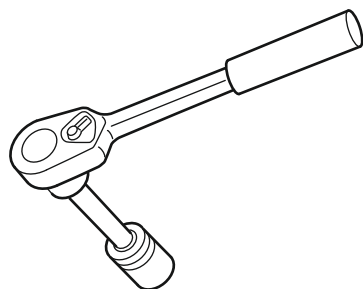


1 x Ø8

E2



4 x Ø10



Part number:
PZ4AL-08970-00

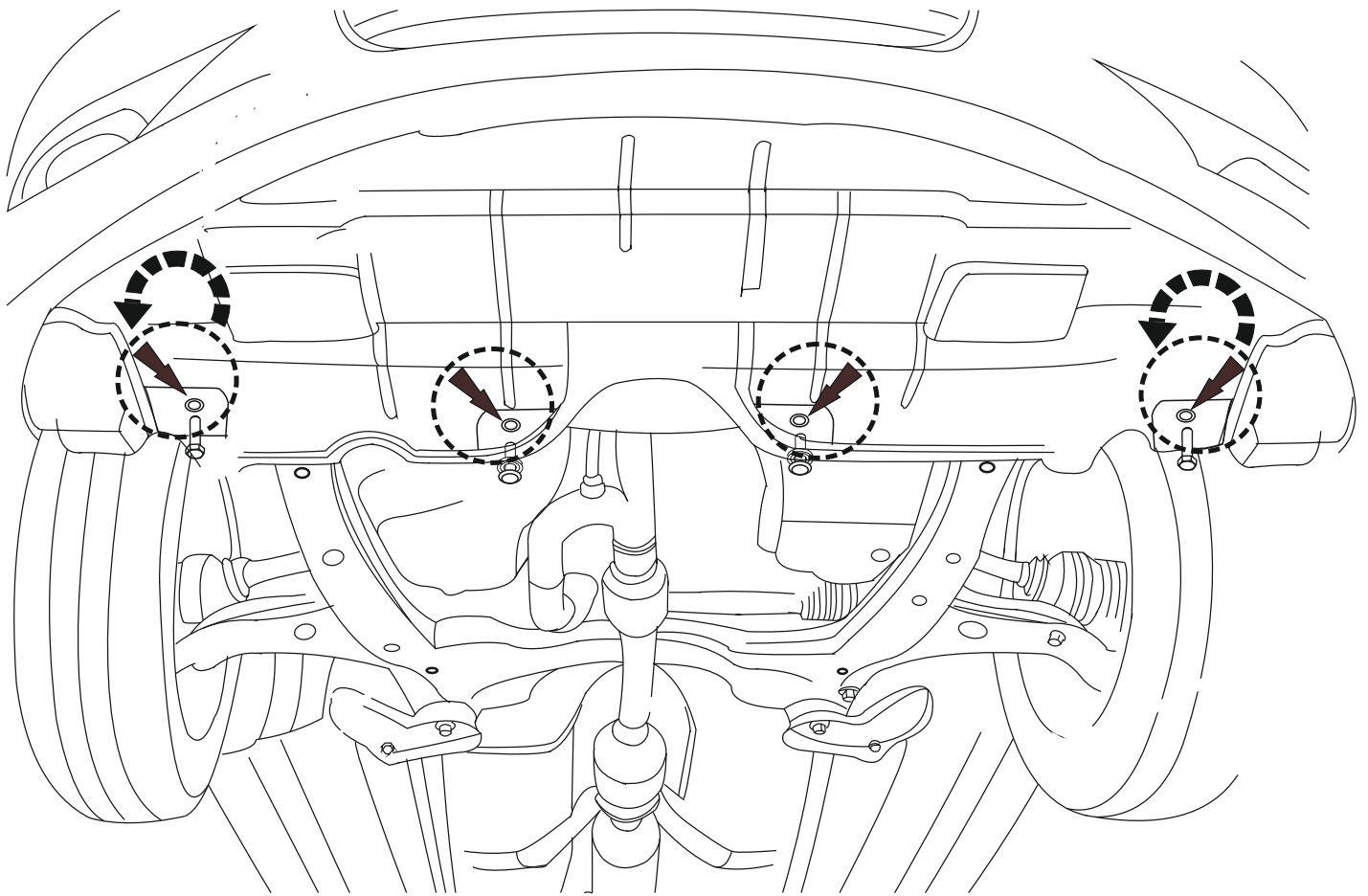
Issue:
2

Date:
19/12/06

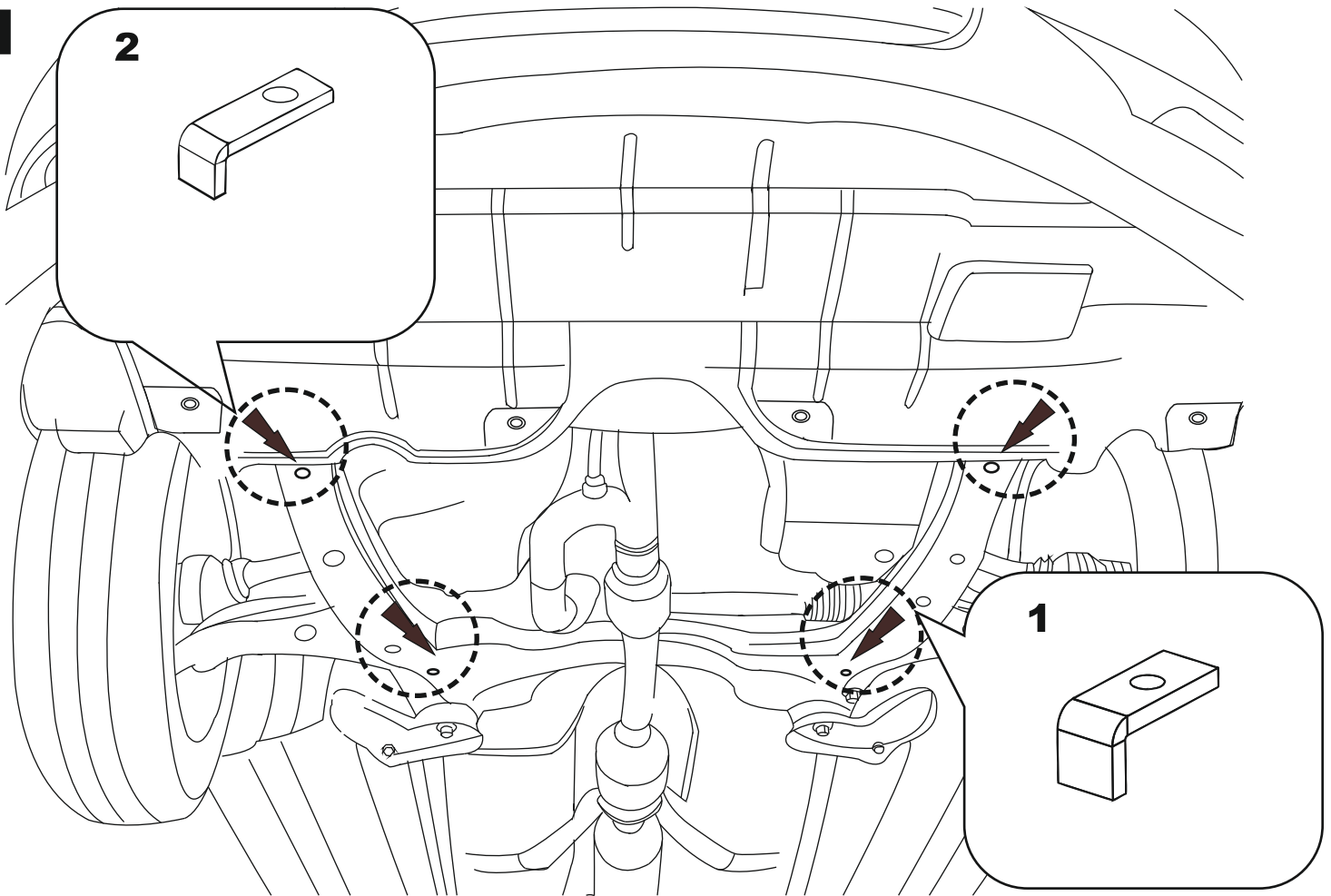
Manual reference number:
AIM 000860-0

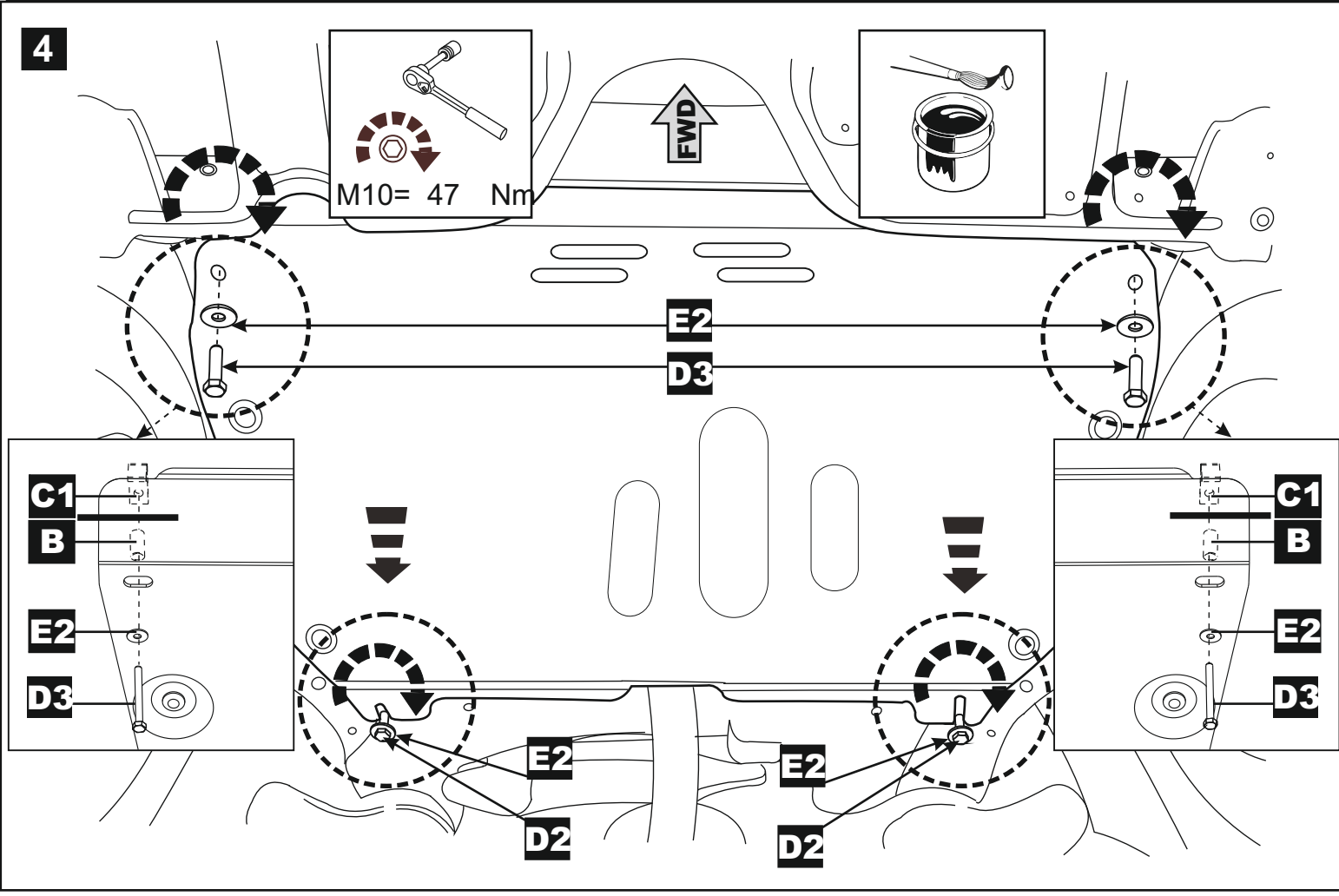
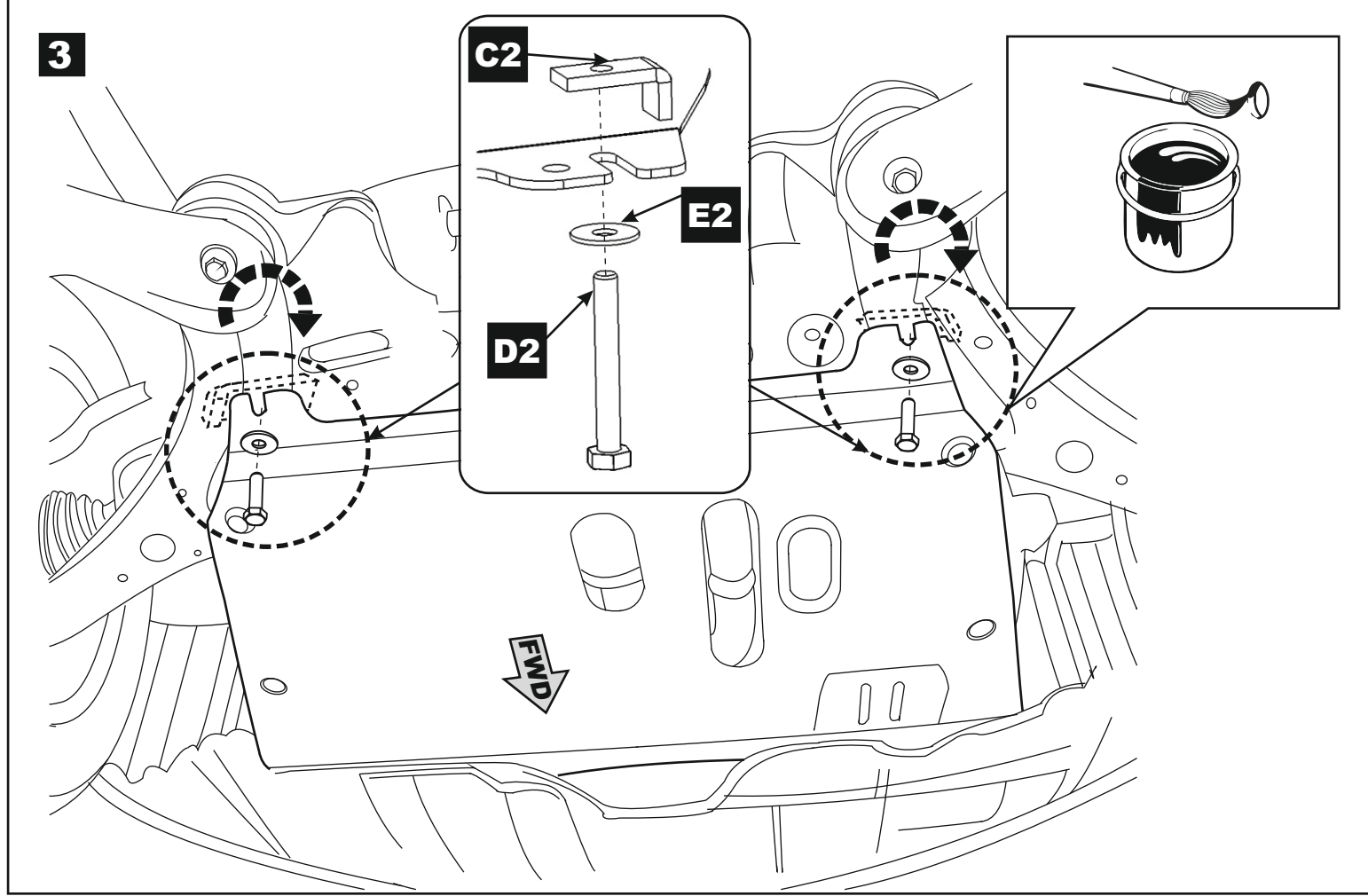
Page:
2/5

1



2





5

