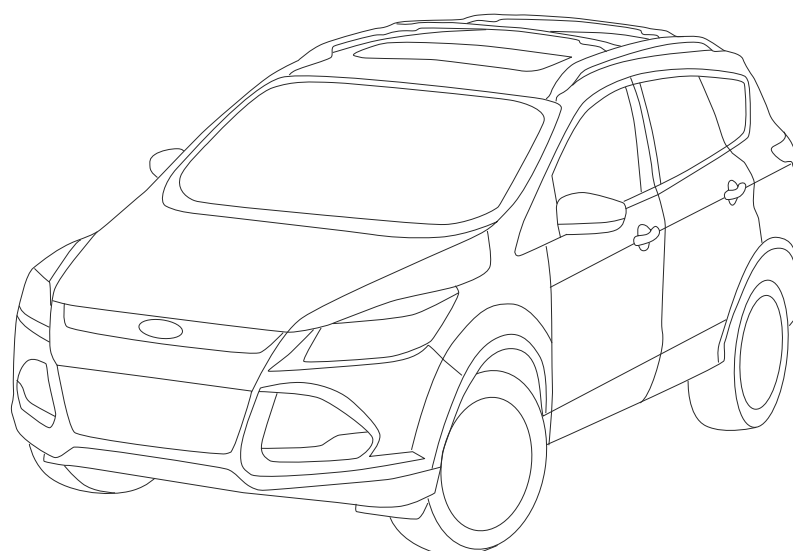




INSTALLATION INSTRUCTION
ENGINE BAY and TRANSMISSION CASE UNDERSHIELD



Ford KUGA

2.5

2013 

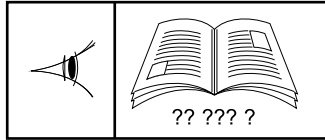
08.2357

16/08/13

1/11



GB Warning/Beware



GB See Workshop Manual



GB Correct



GB Incorrect

GB ATTENTION

Important notice! Guarantee/compensation claims will be automatically rejected if assembly has not been carried out correctly (in accordance with the instructions contained in this installation sheet) or in a specialist workshop.

We would expressly point out that any improper assembly/installation that has not been carried out in a specialist workshop will result in the invalidation of any kind of compensation claim, in particular, those arising by virtue of the product liability law.

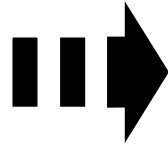
The type no:

is constructed for the above vehicle and can only be mounted on said vehicle.

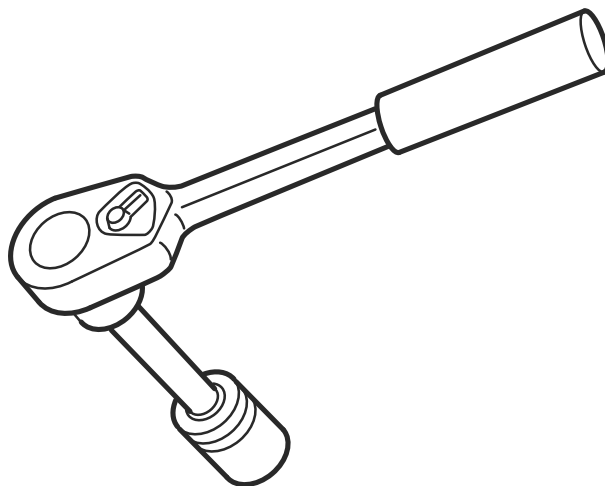
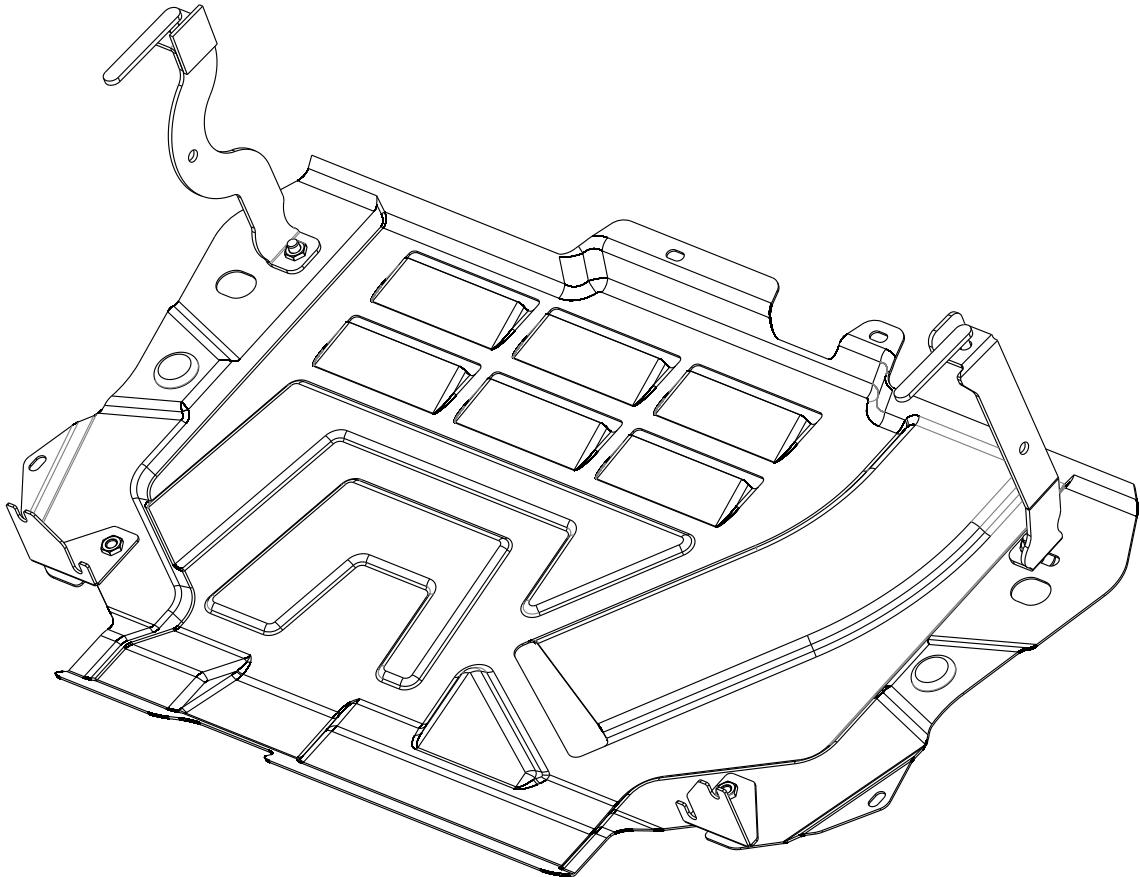
For the purpose of installation, please use the included fixation parts only.



GB Location/Position Arrow



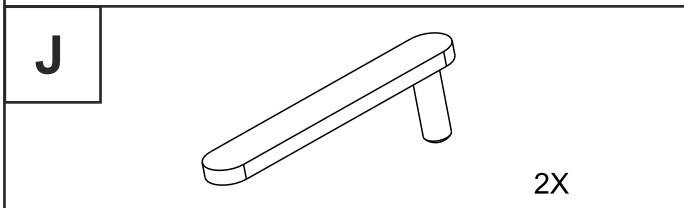
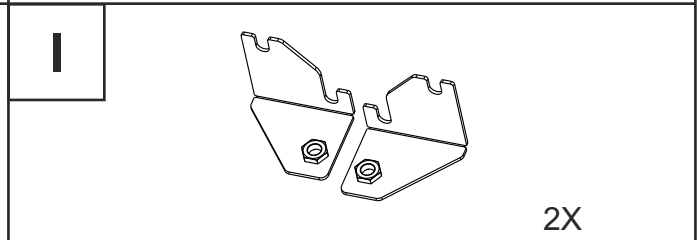
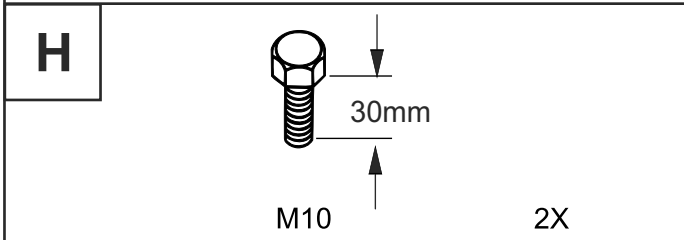
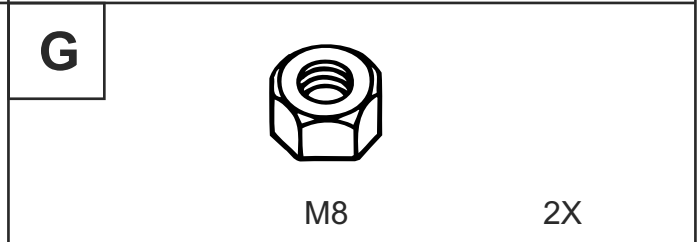
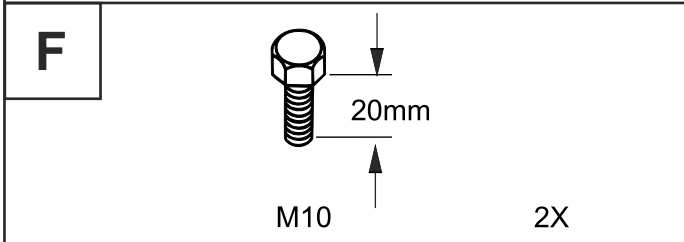
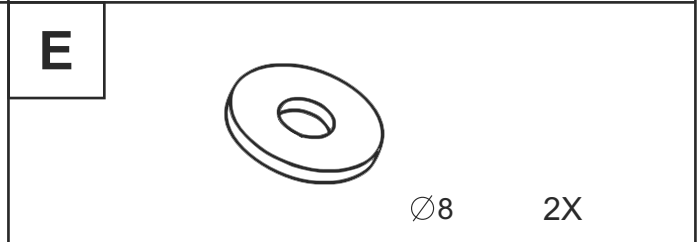
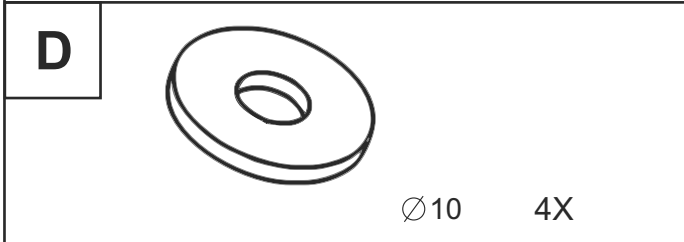
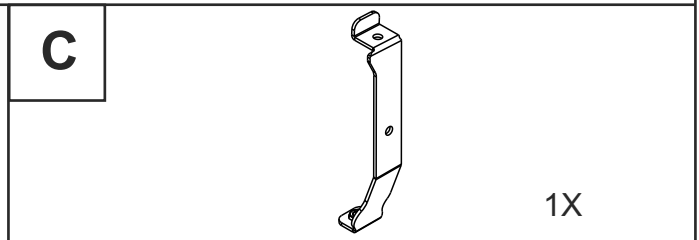
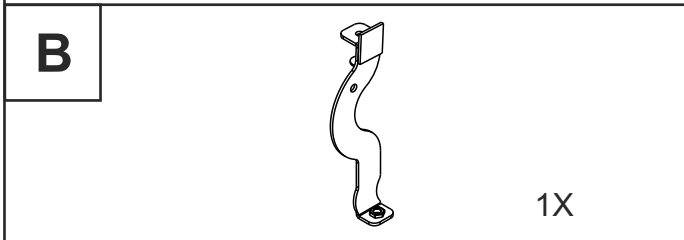
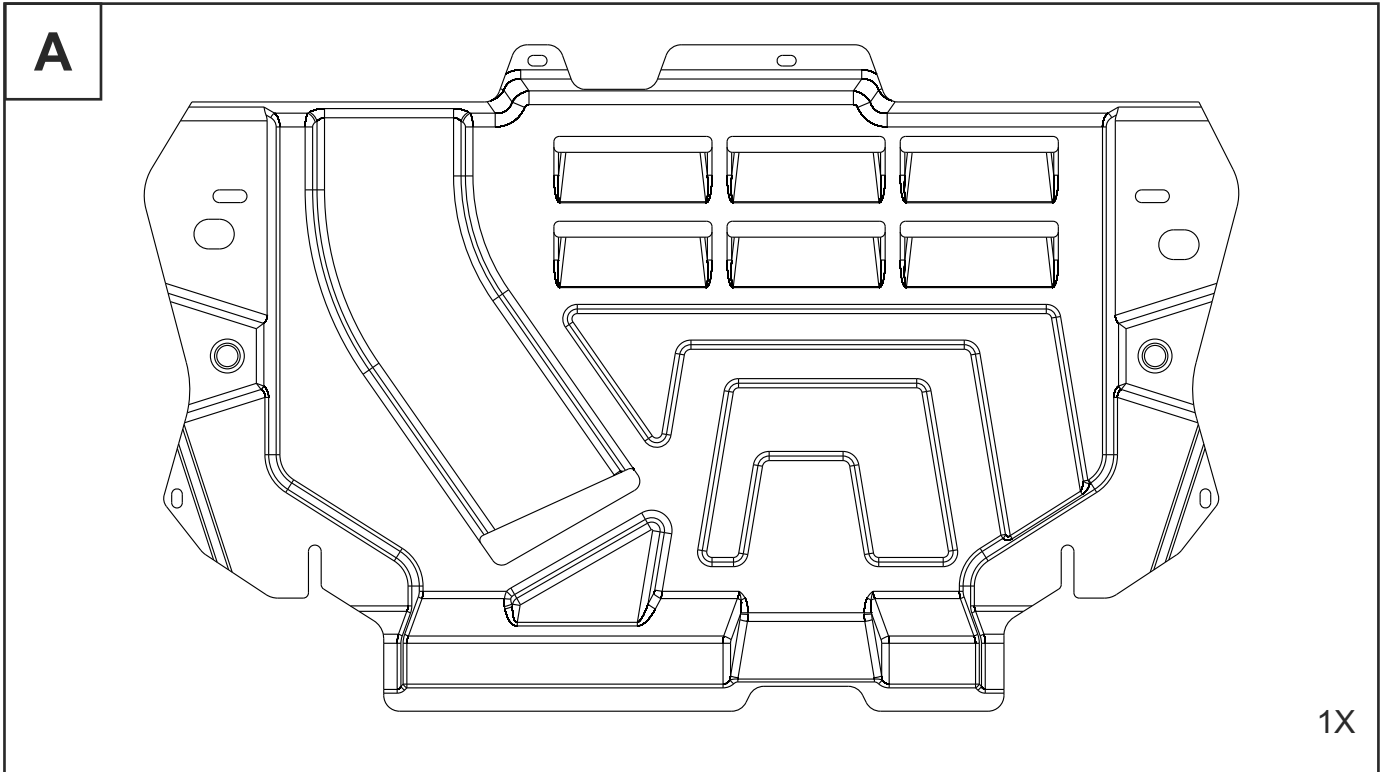
GB Movement Arrow

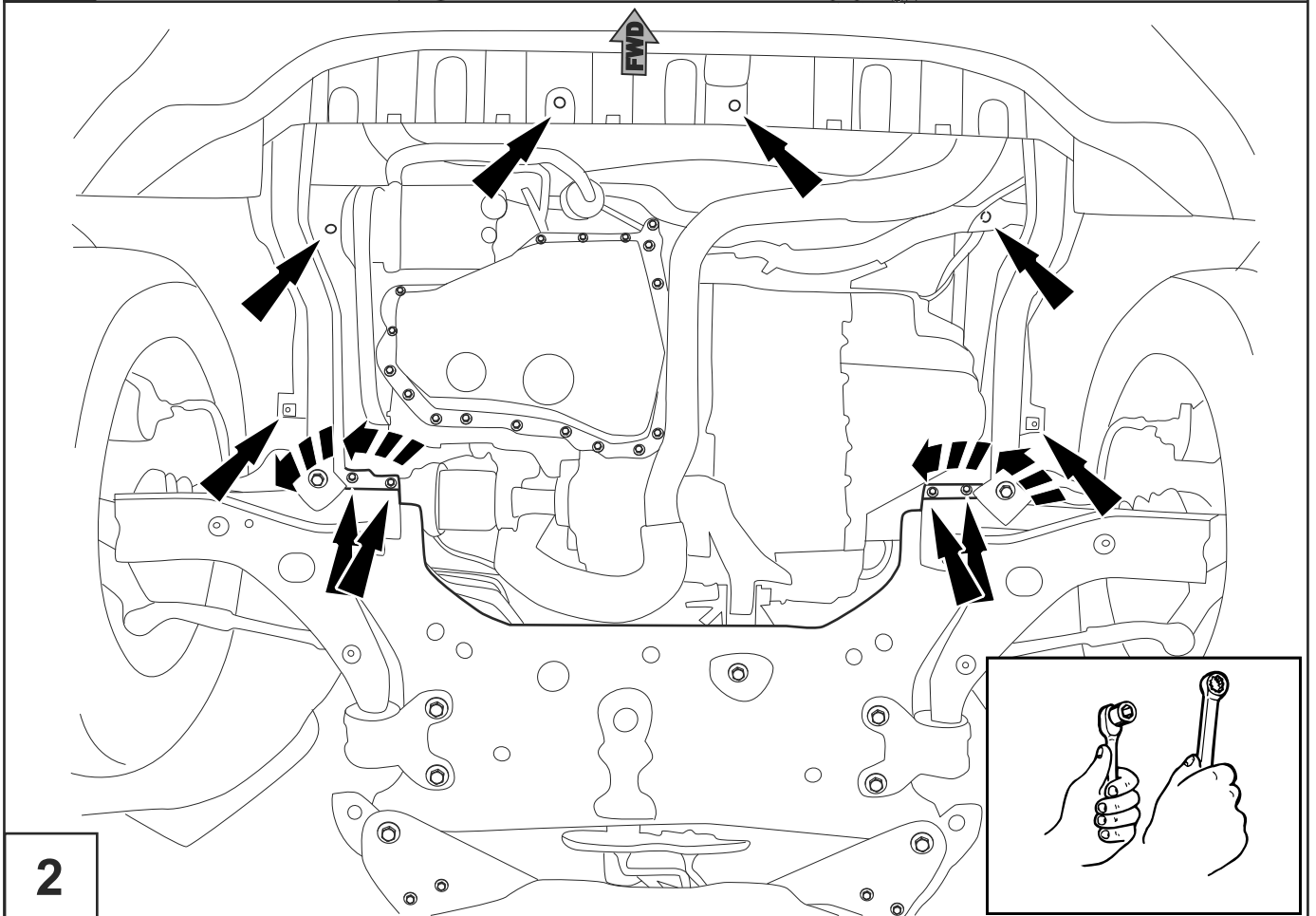
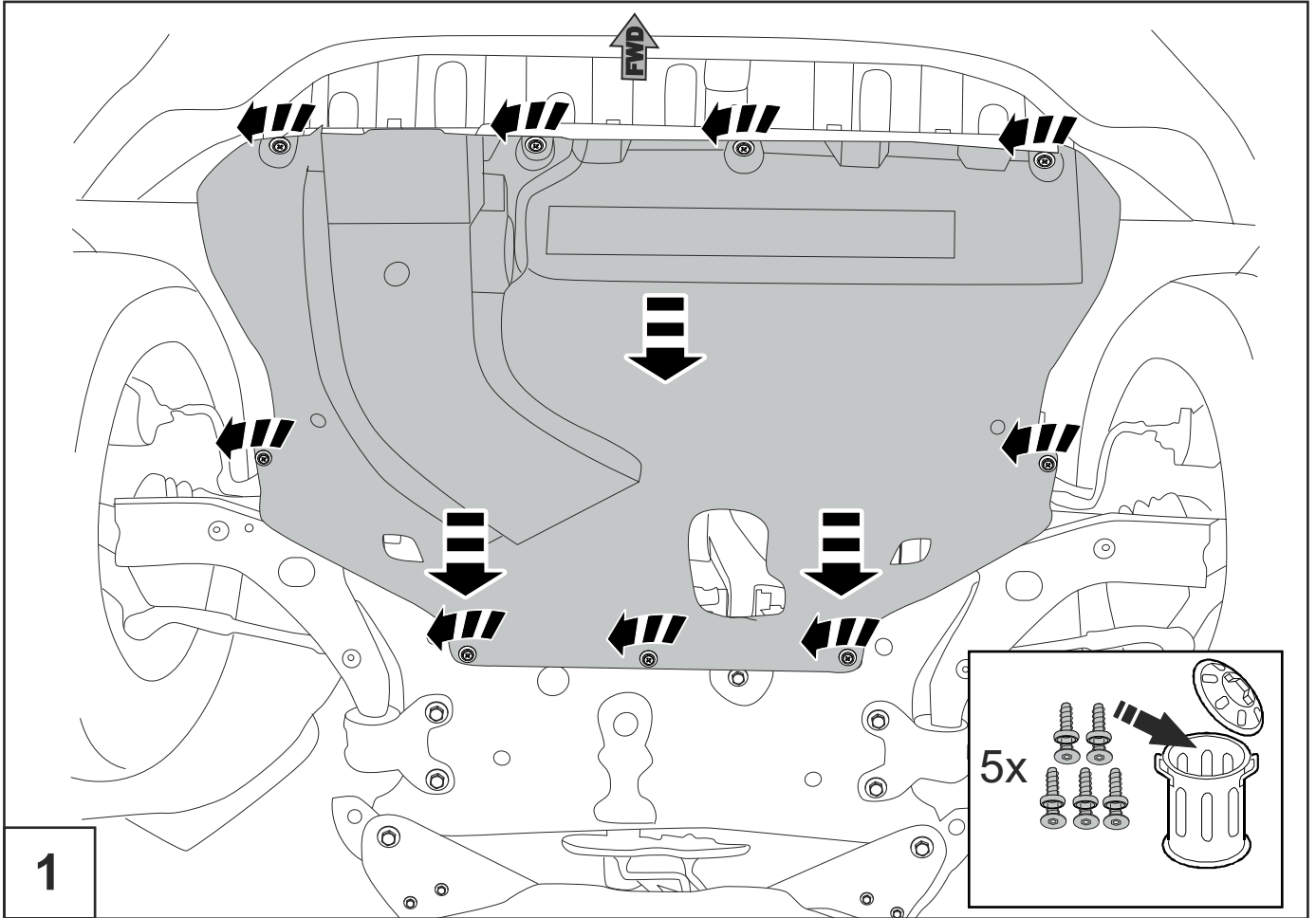


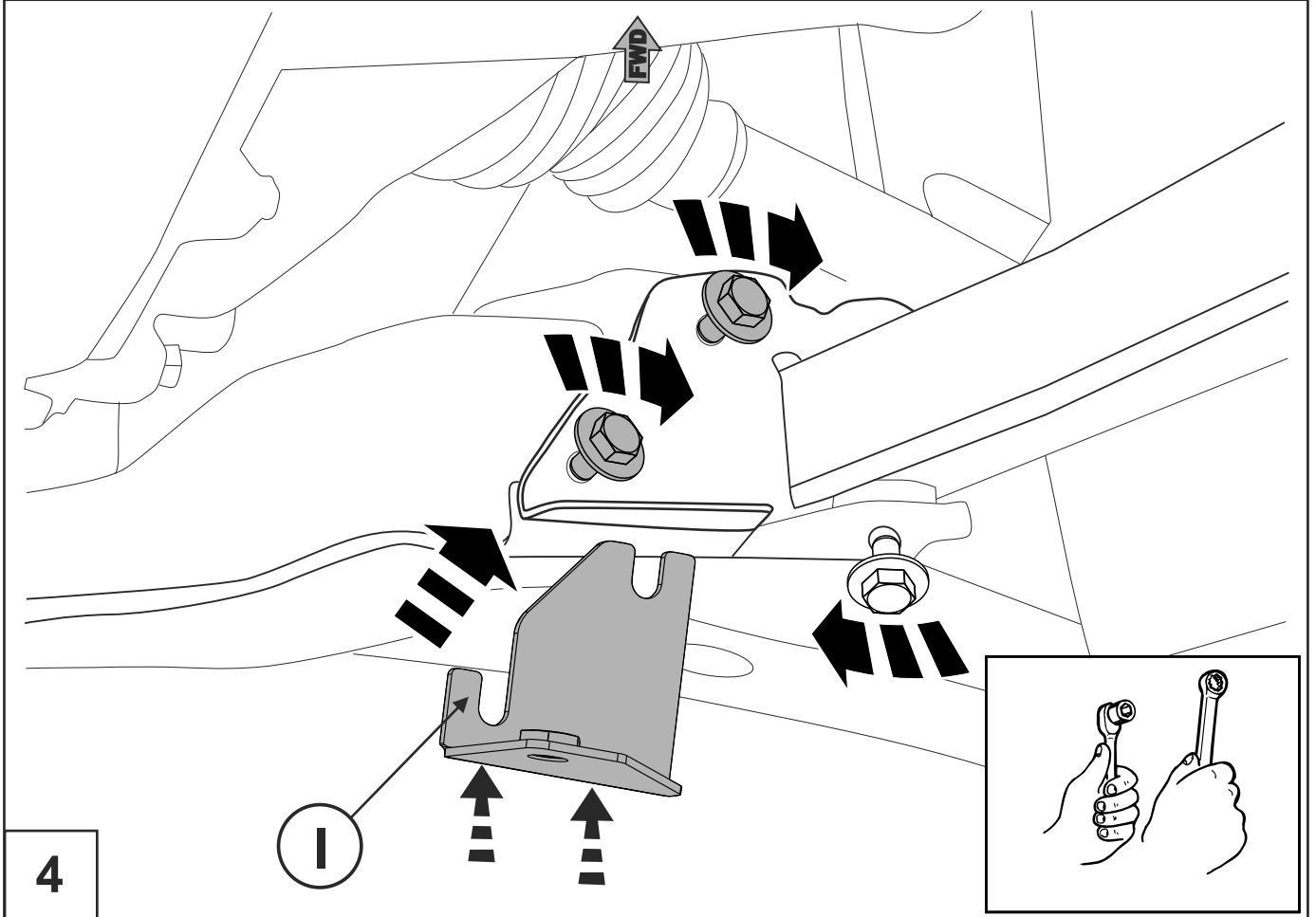
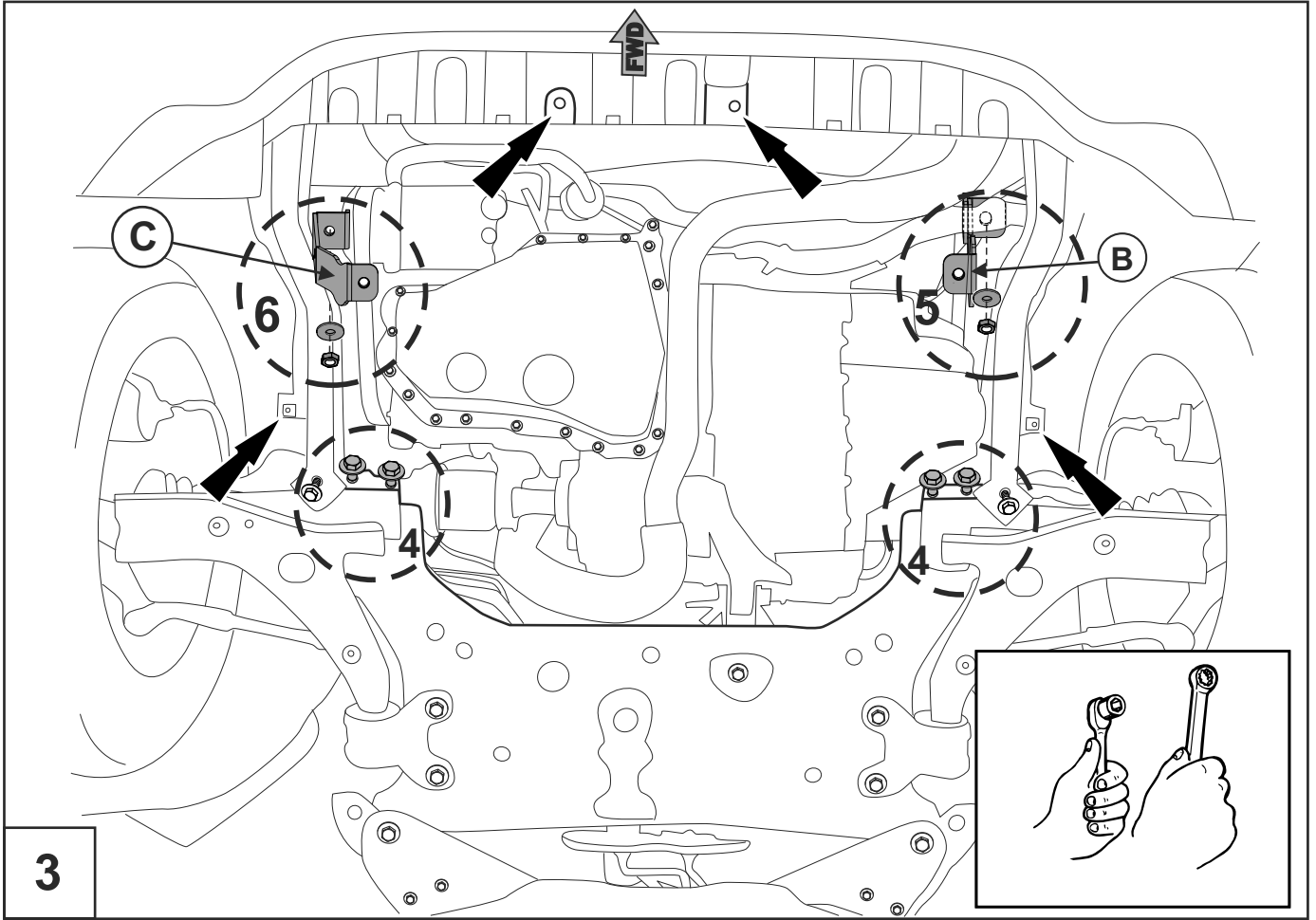
08.2357

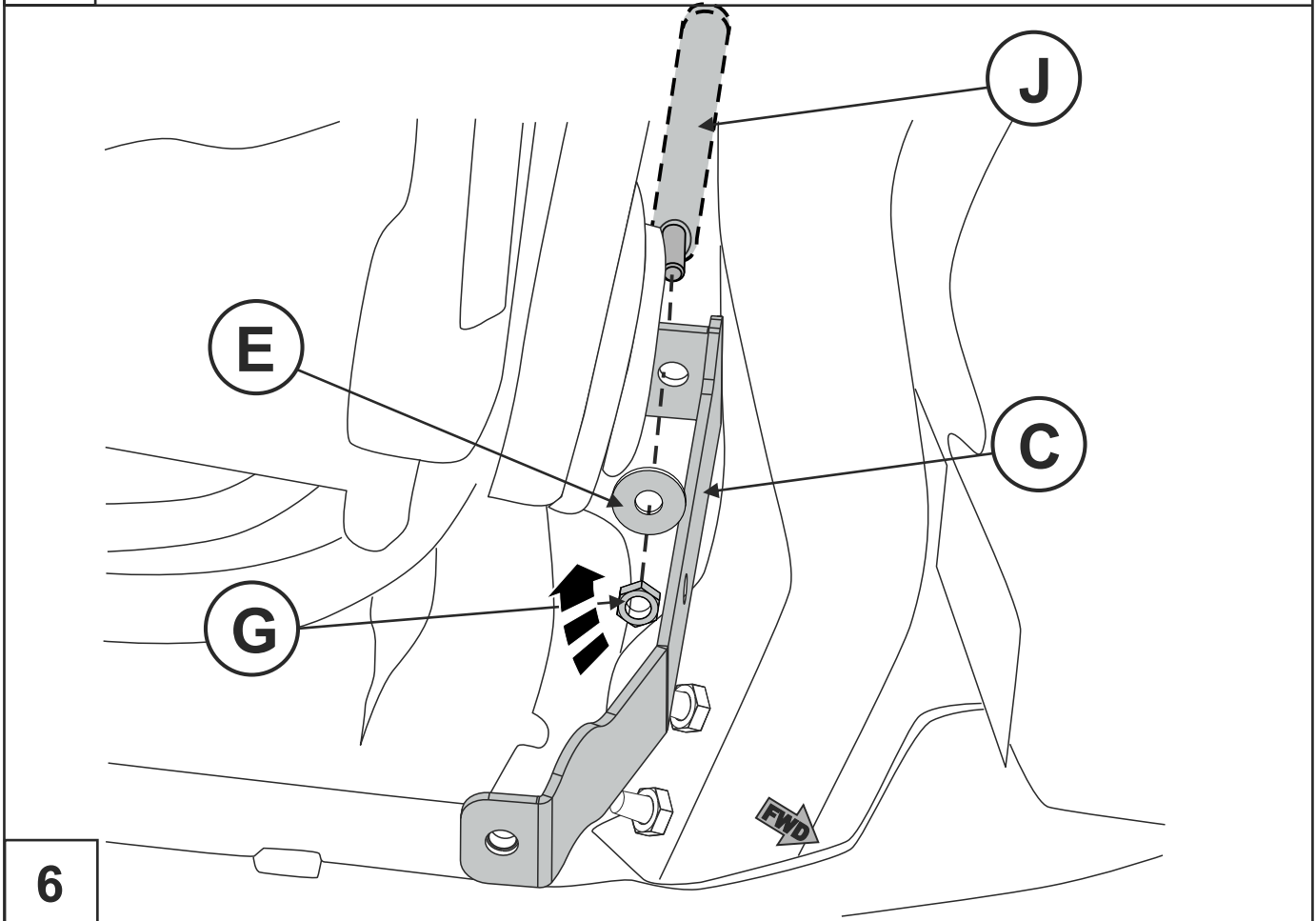
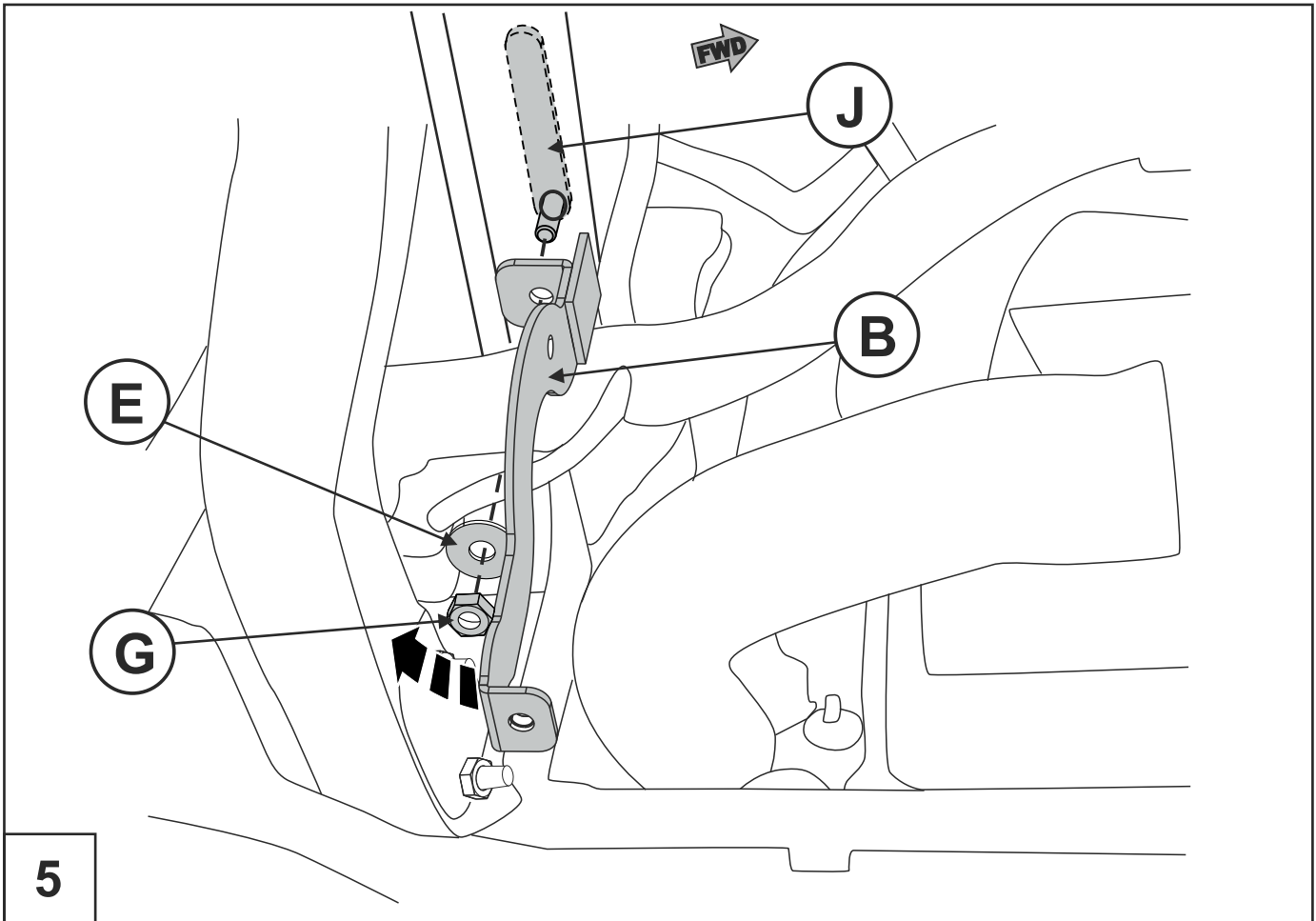
16/08/13

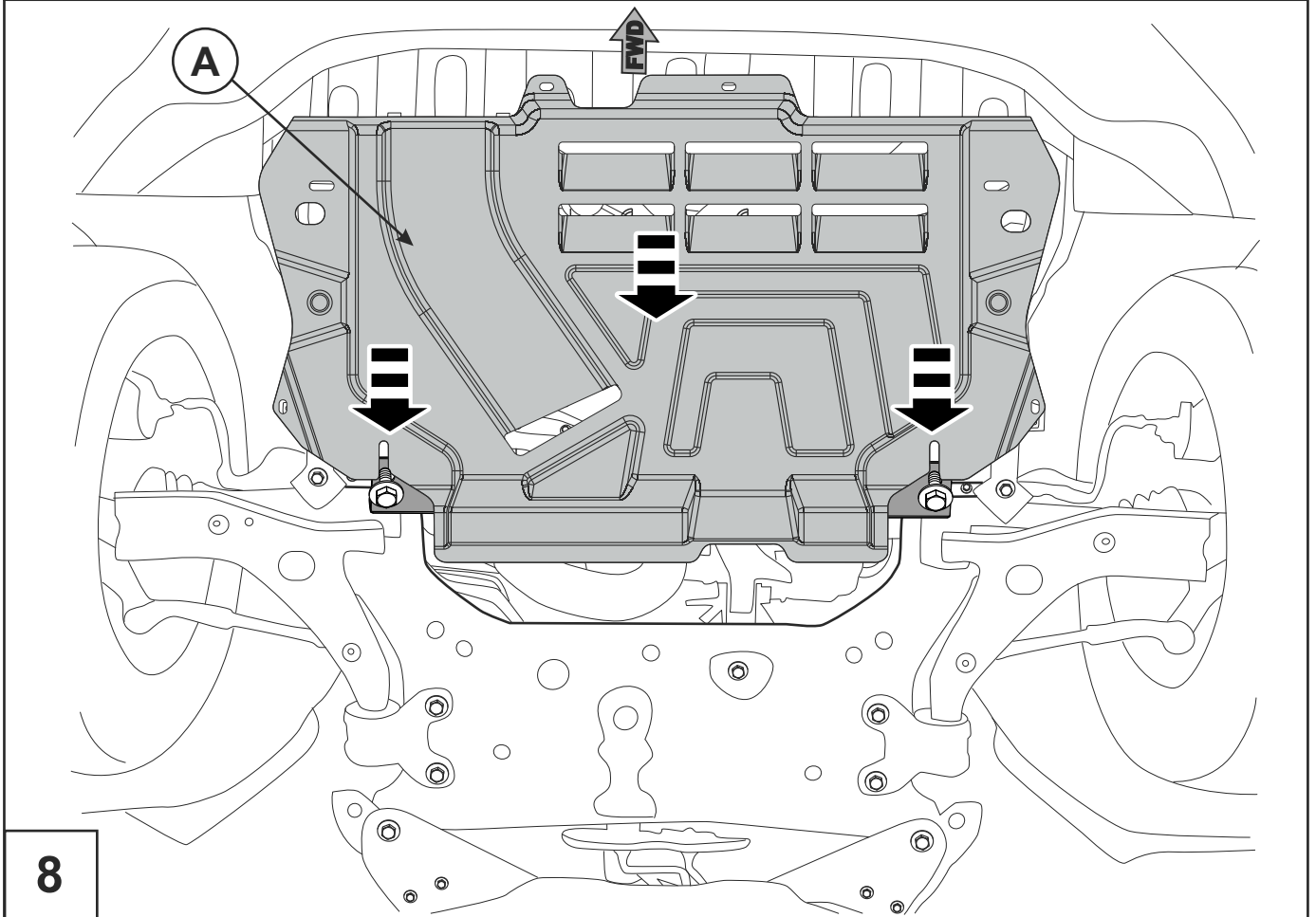
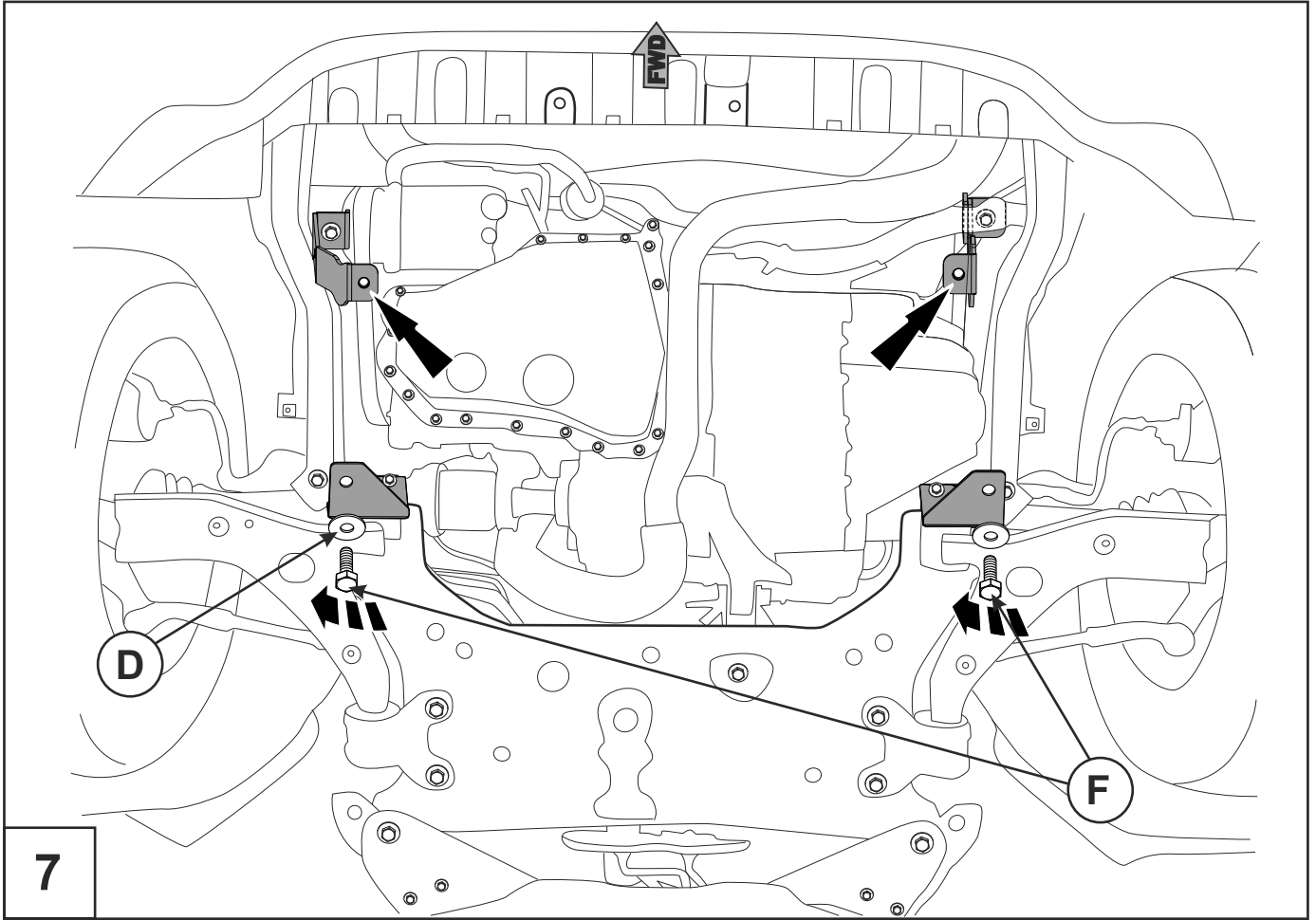
3/11



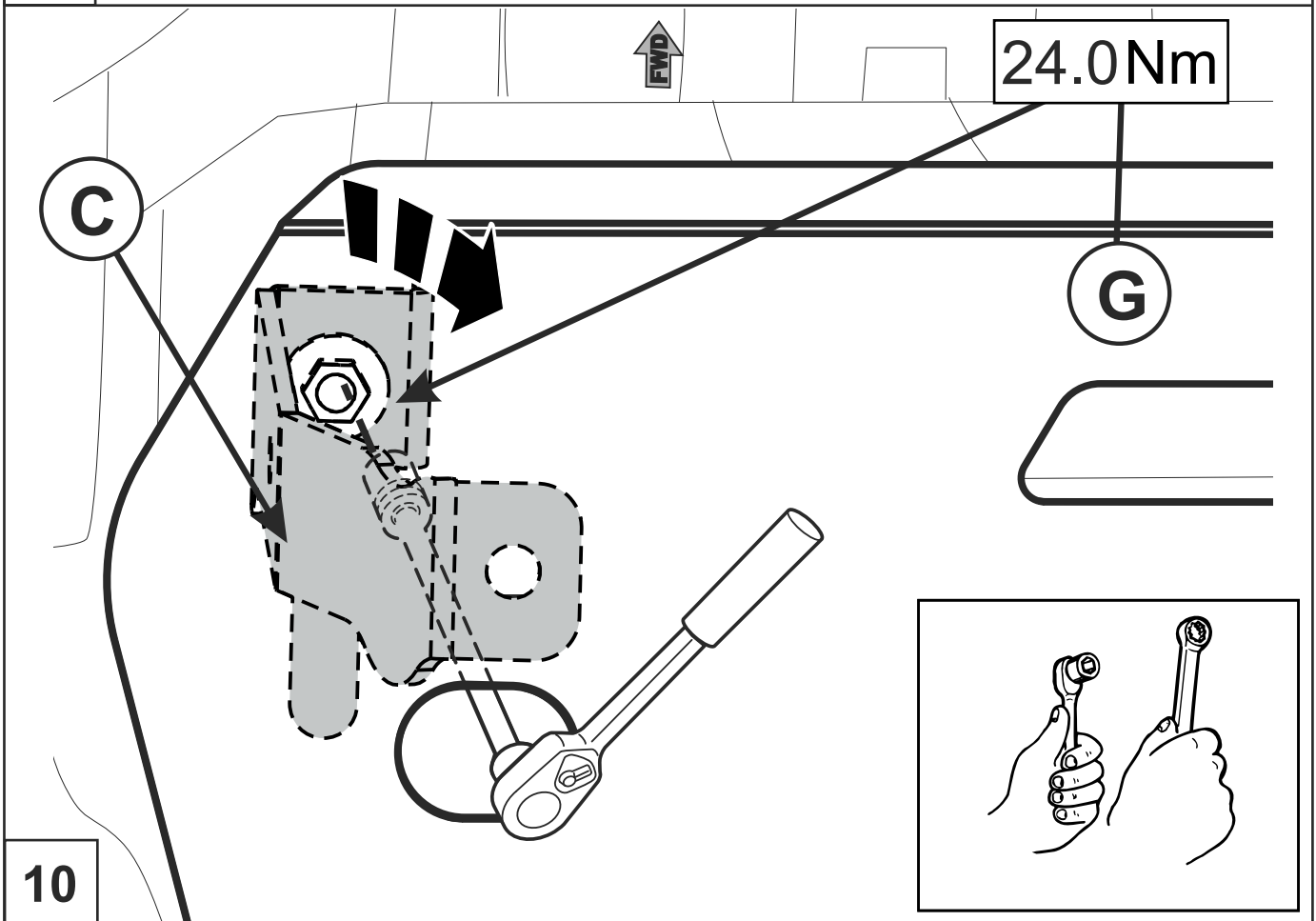
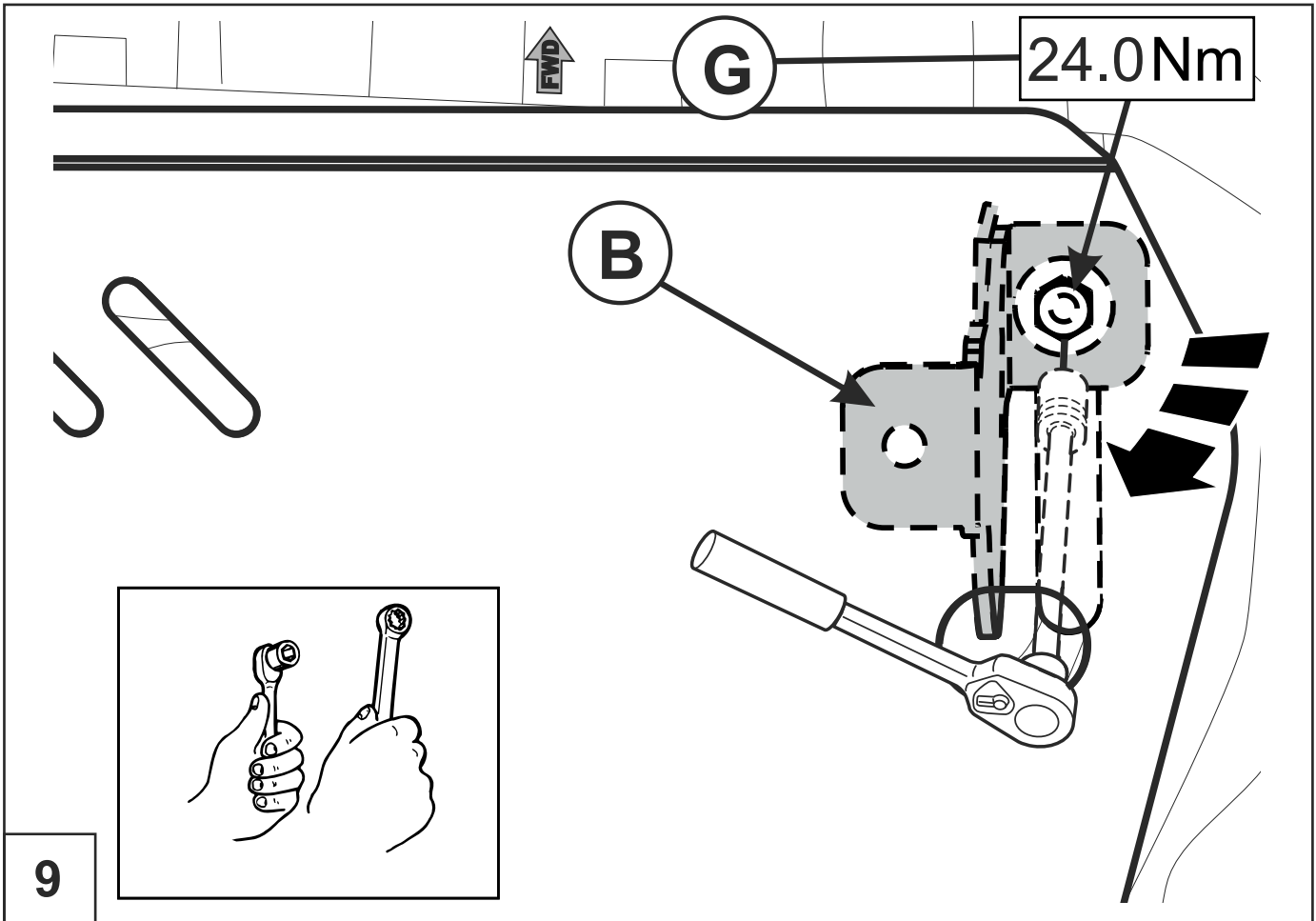


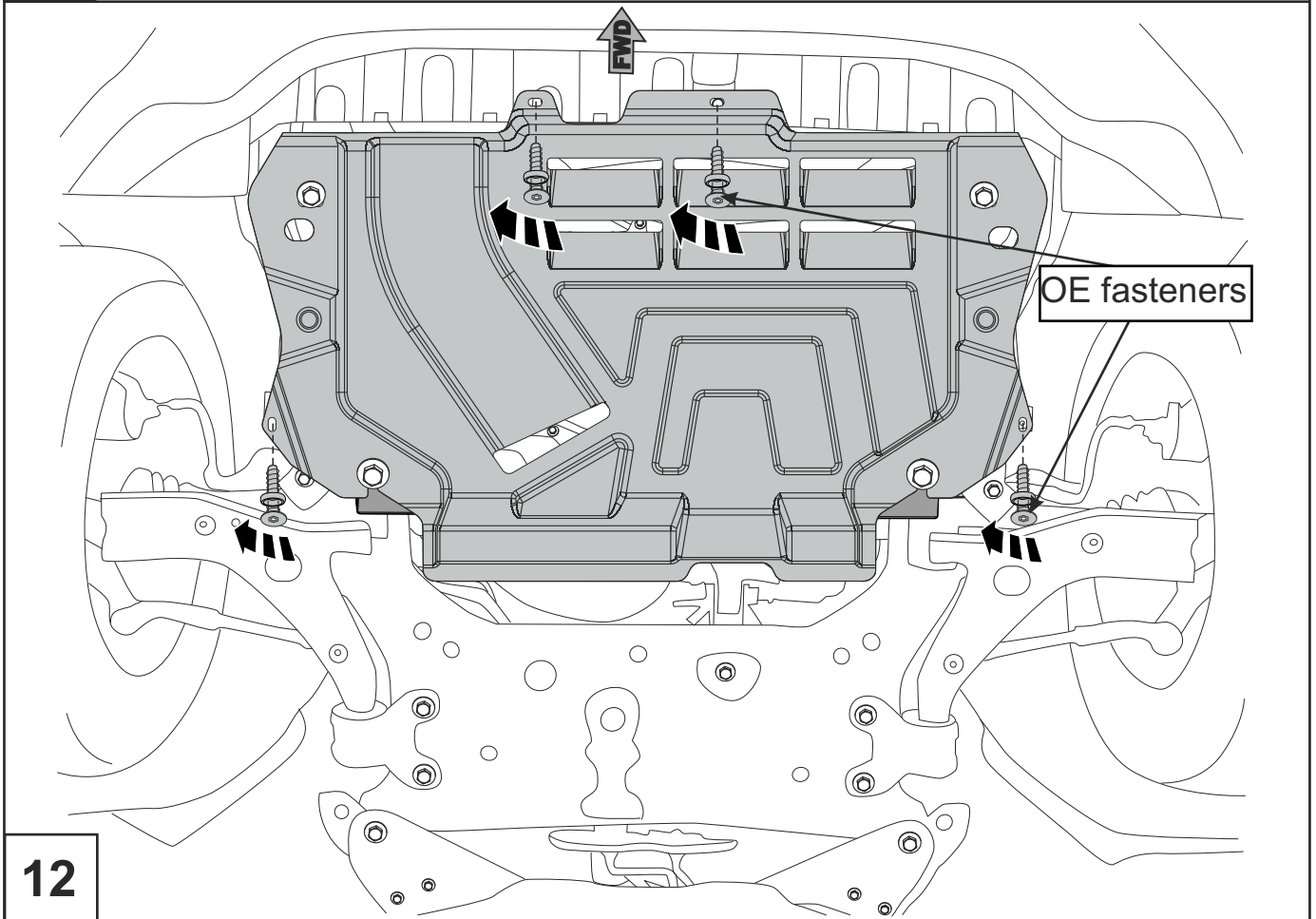
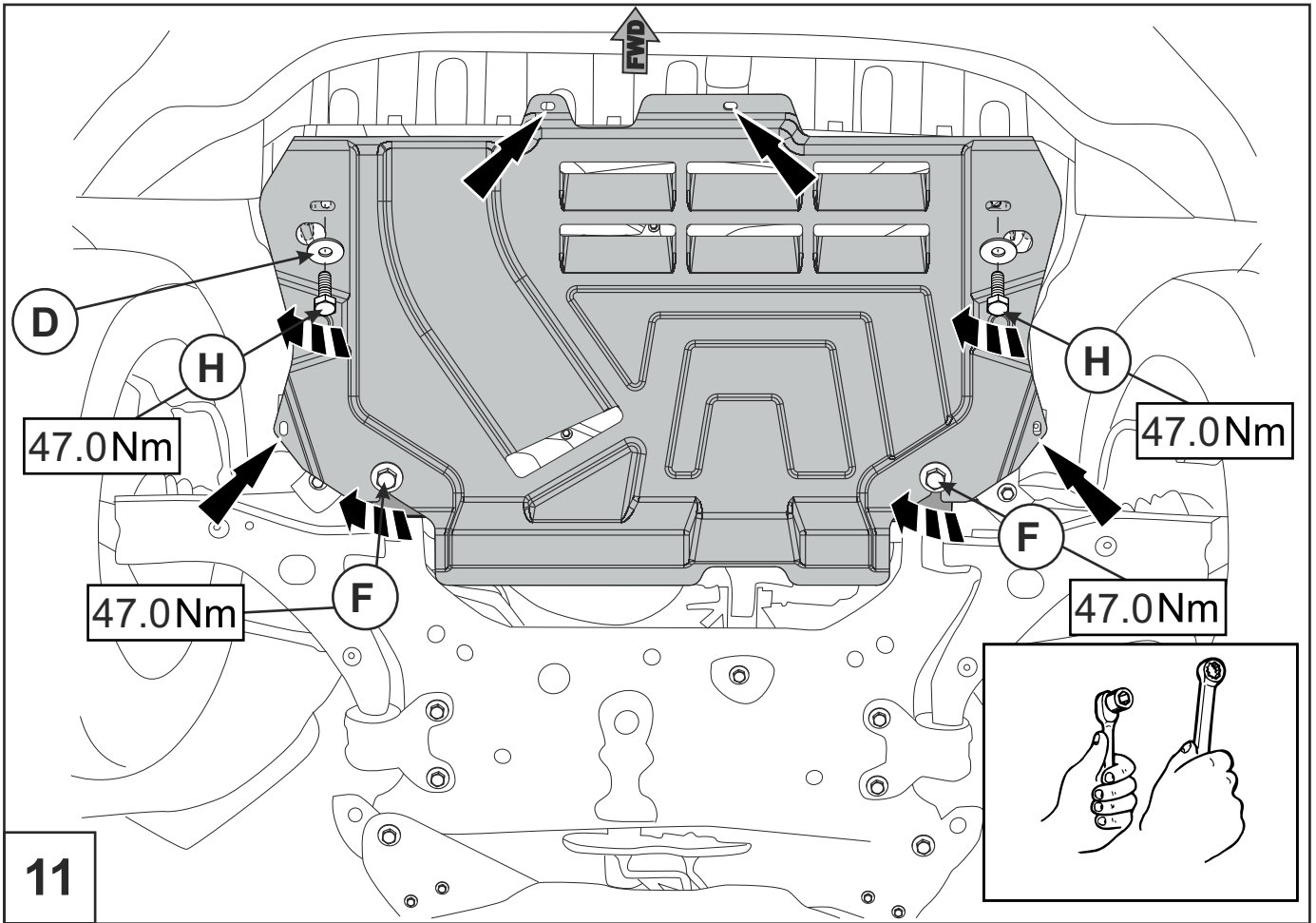






8/11	08.2357	16/08/13		
------	---------	----------	--	--





10/11	08.2357	16/08/13		
-------	---------	----------	--	--

